

08

WORK LIGHTING

LAMPE DE TRAVAIL

ILUMINACIÓN DE TRABAJO



GROTE® LED WORK LAMPS: HIGH OUTPUT, ULTRA RUGGED

WHEN THE WORK JUST HAS TO GET DONE

HIGH OUTPUT:

Advanced LED technology plus sophisticated reflector optics waste less light, put more usable light on the task.

ULTRA RUGGED:

Field tested to excel in brutal off-road conditions. SAE J575E™-compliant designs protect against vibration, corrosion, moisture, dust, and most direct impacts.

COLOR TEMPERATURE OPTIMIZED FOR PRODUCTIVITY:

Noon-time sun-like color temperature output allows work crews to do better work over longer periods of time without eye fatigue.

READY FOR ANYTHING:

Grote® work lamps provide superior performance on mining, construction, off road, agriculture, utility, and emergency vehicles.

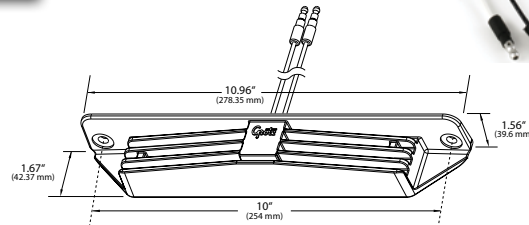
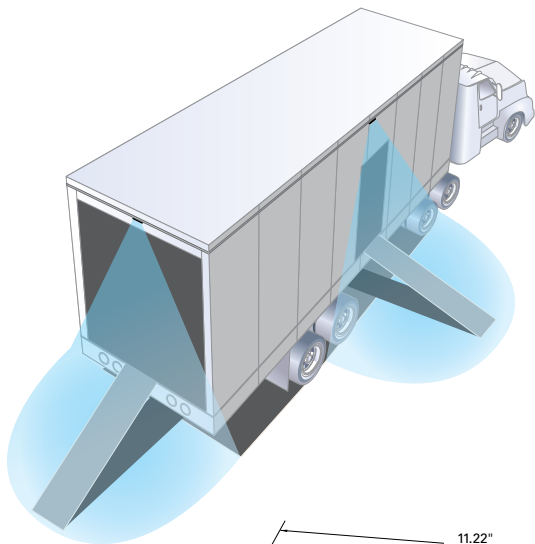


GROTE® LED RADIUS LIGHT



FEATURES & BENEFITS

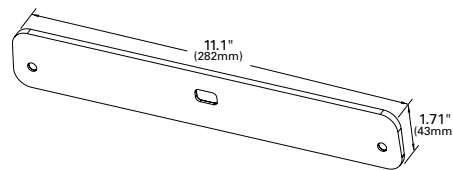
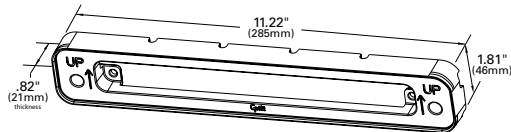
- Tough, durable and lightweight cast aluminum housing
- Six 200-lumen LEDs that produce daylight-like visibility in a broad area
- TIR lens for efficiently distributed lighting
- Bi-voltage system for 12-volt and 24-volt systems
- Vibration-, dust-, corrosion-, and moisture-resistant
- Overvoltage protection to prevent voltage spike damage
- Spacer designed for extended installation and wire routing



Spacer/Wire Guide



Gasket



Part Number	Product Description	Voltage (V)	Amperage (A)
64M11-5 MULTI RETAIL	Grote® Radius Light Assembly Spacer/Wire Guide, Gasket	12/24	1.5A at 12V / .75A at 24V
49501-3	Space/Wire Guide, Bulk Pack		
49511-3	Gasket, Bulk Pack		

VMRS Code: 034-006-031- 64M11-5
034-006-034 - 49501-3
034-001-122 - 49511-3

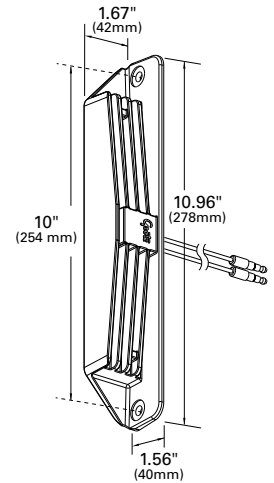
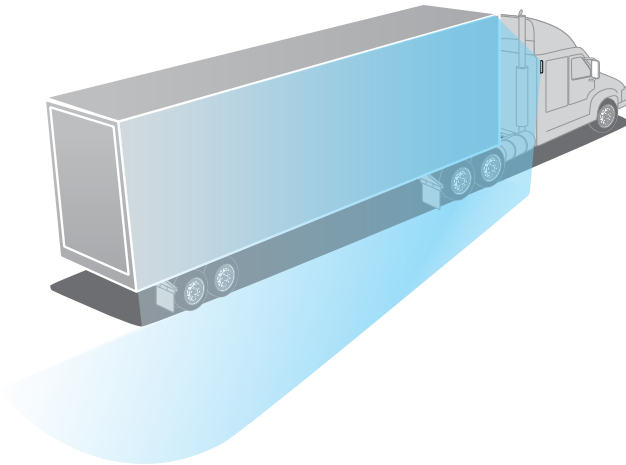
Materials	Regulations / Standards	Ingress Protection
Polycarbonate Lens	FMVSS 108 14.5.1. (Vibration)	IP69K
Cast Aluminum Housing	FMVSS 108 14.5.3. (Dust)	
Weight: 16 oz.	FMVSS 108 14.5.4. (Corrosion)	
	SAE 2139 4.2.2 (Submersion)	
	SAE J1455™ 4.2 (Humidity/Temperature)	

GROTE® LED FAIRING LIGHT



FEATURES & BENEFITS

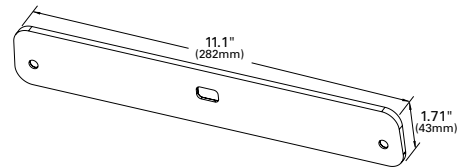
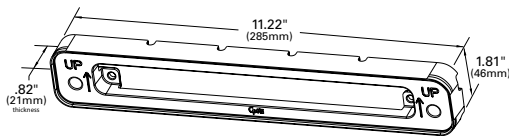
- Increases trailer perimeter lighting
- Durable construction with cast aluminum housing & polycarbonate lens
- Low, contoured design minimizes chances of external impact damage
- Bi-voltage system for 12-volt and 24-volt systems
- Includes gasket for surface mounting or spacer/wire guide



Spacer/Wire Guide



Gasket



Part Number	Product Description	Voltage (V)	Amperage (A)
64M21-5 <i>MULTI RETAIL</i>	Grote® LED Fairing Light	12/24	1.5A at 12V / .75A at 24V
49501-3	Space/Wire Guide, Bulk Pack		
49511-3	Gasket, Bulk Pack		

VMRS Code: 034-006-031 - 64M21-5
034-006-034 - 49501-3
034-001-122 - 49511-3

Materials	Regulations / Standards	Ingress Protection
Polycarbonate Lens	FMVSS 108 14.5.1. (Vibration)	IP69K
Cast Aluminum Housing	FMVSS 108 14.5.3. (Dust)	
Weight: 16 oz.	FMVSS 108 14.5.4. (Corrosion)	
	SAE 2139 4.2.2 (Submersion)	
	SAE J1455™ 4.2 (Humidity/Temperature)	

TRILLIANT® CUBE LED WORK LAMPS TIER 1 OUTPUT

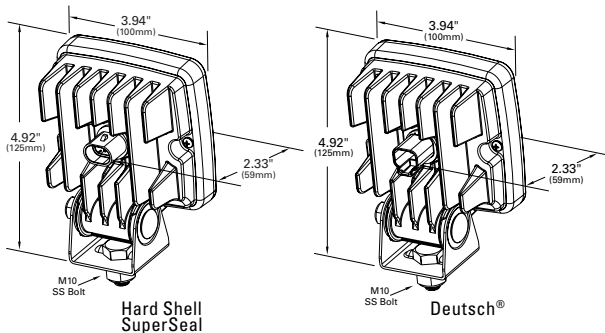
LED

FEATURES & BENEFITS

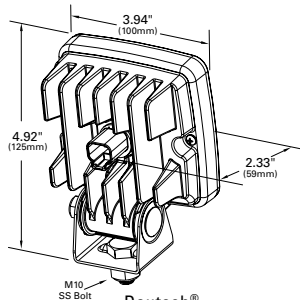
- Compact 4"x 4" lamps available in 1,200-lumen model
- Highest quality electronic components and advanced Grote® circuit design provides electronically quiet operation. This ensures long life, consistent light output, and protection from voltage spikes and electromagnetic interference
- All-weather design means consistent, reliable light for the task duration regardless of conditions
- Rugged SAE J575E™-compliant construction protects against vibration, corrosion, moisture, and dust
- Sophisticated reflector optics waste less light, focuses more light on task



63991



Hard Shell SuperSeal



Deutsch®



63L21



63E23



63981

Part Number	Light Pattern	Connection Type	Product Description	Light Output (Usable Lumens)	Wattage (W)	Voltage (V)	Amperage (A)
63981 ECE MULTI	Flood	Hard Shell SuperSeal	4"X4" Work Lamp W/Pigtail	1,200	17	12/24	1.4/.7
63981-5 ECE MULTI RETAIL	Flood	Hard Shell SuperSeal	4"X4" Work Lamp W/Pigtail	1,200	17	12/24	1.4/.7
63991 ECE MULTI	Wide Flood	Hard Shell SuperSeal	4"X4" Work Lamp W/Pigtail	1,200	17	12/24	1.4/.7
63991-5 ECE MULTI RETAIL	Wide Flood	Hard Shell SuperSeal	4"X4" Work Lamp W/Pigtail	1,200	17	12/24	1.4/.7
63H31 ECE	Flood	Deutsch®	4"X4" Work Lamp No Pigtail	1,200	17	48	0.35
63E23 ECE MULTI	Flood	Deutsch®	4"X4" Work Lamp, Amber Lens	1,200	17	12/24	1.4/.7
63L21 ECE MULTI	Near Flood	Deutsch®	4"X4" Work Lamp No Pigtail	1,200	17	9-32	0.75-1.5
63U01 ECE	Flood	Deutsch®	4"X4" Work Lamp No Pigtail	1,200	23	12	1.9
63U41 ECE	Near Flood	Deutsch®	4"X4" Work Lamp No Pigtail	1,200	23	12	1.9

All figures listed are based on nominal voltage

Accessories

Part Number	Description	Fits
68580	Hard Shell SuperSeal Pigtail Blunt Cut	All Hard Shell SuperSeal lamps
68610	Deutsch Pigtail Blunt Cut	All Deutsch® lamps

Materials	Regulations / Standards	Ingress Protection
Powder-Coated Cast Aluminum Housing/CRS, Zinc-Plated Bracket/ Polycarbonate Lens	ECE R10, Dir. 72/245/EEC, Amended by 2006/28/EC CE	IP69K

VMRS Code: 034-006-031

TRILLIANT® CUBE LED WORK LAMP TIER 2 OUTPUT



FEATURES & BENEFITS

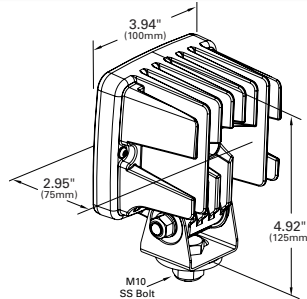
- Compact 4"x 4" lamps available in 2,000- and 3,000-lumen models
- Highest quality electronic components and advanced Grote® circuit design provides electronically quiet operation. This ensures long life, consistent light output, and protection from voltage spikes and electromagnetic interference
- All-weather design means consistent, reliable light for the task duration regardless of conditions
- Rugged SAE J575E™-compliant construction protects against vibration, corrosion, moisture, and dust
- Sophisticated reflector optics waste less light, focuses more light on task



63F61



63F71



Part Number	Light Pattern	Connection Type	Product Description	Light Output (Usable Lumens)	Wattage (W)	Voltage (V)	Amperage (A)
63W01 ECE MULTI	Long Range	Deutsch®	4"X4" Work Lamp, No Pigtail	2,000	37	9-32V	2.6A at 14V 1.3 at 28V
63W11 ECE MULTI	Long Range	Hard Shell SuperSeal	4"X4" Work Lamp	2,000	37	9-32V	2.6A at 14V 1.3 at 28V
63W21 ECE MULTI	Close Range	Deutsch®	4"X4" Work Lamp, No Pigtail	2,000	37	9-32V	2.6A at 14V 1.3 at 28V
63W31 ECE MULTI	Close Range	Hard Shell SuperSeal	4"X4" Work Lamp	2,000	37	9-32V	2.6A at 14V 1.3 at 28V
63F21	Flood	Deutsch®	4"X4" Work Lamp, No Pigtail	3,000	36	12V	3A
63F31 ECE	Flood	Deutsch®	4"X4" Work Lamp, No Pigtail	3,000	36	24V	1.5A
63F51	Wide Flood	Deutsch®	4"X4" Work Lamp No Pigtail	3,000	36	24V	1.5A
63F61	Flood	Hard Shell SuperSeal	4"X4" Work Lamp	3,000	36	12V	3A
63W41 ECE MULTI	Long Range	Deutsch®	4"X4" Work Lamp, No Pigtail	3,000	45	9-32V	3.2A at 14V 1.6 at 28V
63W61 ECE MULTI	Close Range	Deutsch®	4"X4" Work Lamp, No Pigtail	3,000	45	9-32V	3.2A at 14V 1.6 at 28V
63W71 ECE MULTI	Close Range	Hard Shell SuperSeal	4"X4" Work Lamp	3,000	45	9-32V	3.2A at 14V 1.6 at 28V

All figures listed are based on nominal voltage

Accessories

Part Number	Description	Fits
68580	Hard Shell SuperSeal, Blunt Cut	All Hard Shell SuperSeal lamps
68610	Deutsch®, Blunt Cut	All Deutsch® lamps

VMRS Code: 034-006-031

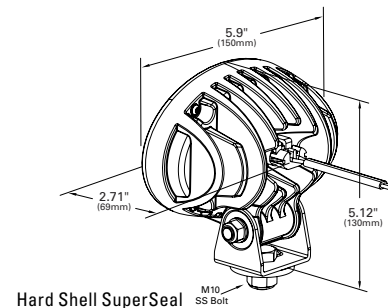
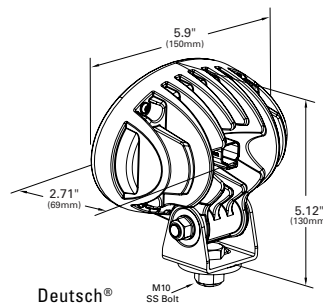
Materials	Regulations / Standards	Ingress Protection
Powder-Coated Cast Aluminum Housing/CRS, Zinc Plated Bracket/ Polycarbonate Lens	ECE R10, Dir. 72/245/EEC, Amended by 2006/28/EC CE	IP69K

TRILLIANT® OVAL LED TIER 1 WORK LAMPS



FEATURES & BENEFITS

- Highest quality electronic components and advanced Grote® circuit design provides electronically quiet operation. This ensures long life, consistent light output, and protection from voltage spikes and electromagnetic interference
- All-weather design means consistent, reliable light for the task duration regardless of conditions
- Rugged SAE J575E™-compliant construction protects against vibration, corrosion, moisture, and dust
- Two beam patterns to choose from (Flood and Wide Flood). Sophisticated reflector optics waste less light, focuses more light on task



Part Number	Light Pattern	Connection Type	Product Description	Light Output (Usable Lumens)	Wattage (W)	Voltage (V)	Amperage (A)
63F81	ECE MULTI	Hard Shell SuperSeal	Oval Work Lamp w/Pigtail	1,200	24	12/24	2/1
63F81-5	ECE MULTI RETAIL	Hard Shell SuperSeal	Oval Work Lamp w/Pigtail	1,200	24	12/24	2/1
63F91	ECE MULTI	Hard Shell SuperSeal	Oval Work Lamp w/Pigtail	1,200	24	12/24	2/1
63G01	ECE MULTI	Deutsch®	Oval Work Lamp	1,200	24	12/24	2/1
63G11	ECE MULTI	Deutsch®	Oval Work Lamp	1,200	24	12/24	2/1
64W01	ECE MULTI	Deutsch®	Oval Work Lamp	2,000	37	9-32	1.3-2.6
64W11	ECE MULTI	Deutsch®	Oval Work Lamp	2,000	37	9-32	1.3-2.6

All figures listed are based on nominal voltage

Accessories

Part Number	Description	Fits	Materials	Regulations / Standards	Ingress Protection
68580	Hard Shell SuperSeal Pigtail Blunt Cut	All Hard Shell SuperSeal Lamps	Powder-Coated Cast Aluminum	ECE R10, Dir. 72/245/EEC, Amended by 2006/28/EC	IP69K
68610	Deutsch® Pigtail Blunt Cut	All Deutsch® Lamps	Housing/CRS, Zinc Plated Bracket/ Polycarbonate Lens	CE	

VMRS Code: 034-006-031

TRILLIANT® OVAL LED TIER 2 WORK LAMPS



FEATURES & BENEFITS

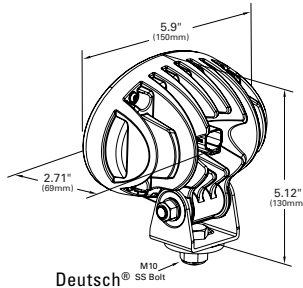
- Highest quality electronic components and advanced Grote® circuit design provides electronically quiet operation. This ensures long life, consistent light output, and protection from voltage spikes and electromagnetic interference
- All-weather design means consistent, reliable light for the task duration regardless of conditions
- Rugged SAE J575E™-compliant construction protects against vibration, corrosion, moisture, and dust
- Two beam patterns to choose from (Flood and Wide Flood). Sophisticated reflector optics waste less light, focuses more light on task



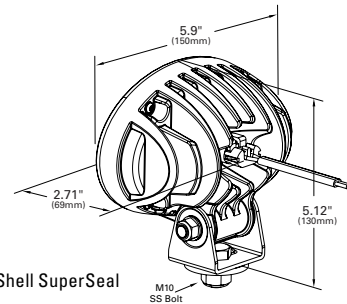
63J11
3,000-Lumen Wide Flood



63J01



Deutsch®
M10 SS Bolt



Hard Shell SuperSeal
M10 SS Bolt

Part Number	Light Pattern	Connection Type	Product Description	Light Output (Usable Lumens)	Wattage (W)	Voltage (V)	Amperage (A)
63J01	ECE MULTI Flood	Hard Shell SuperSeal	High Output Oval Work Lamp, w/Pigtail	3,000	36	12/24	3/1.5
63J11	ECE MULTI Wide Flood	Hard Shell SuperSeal	High Output Oval Work Lamp, w/Pigtail	3,000	36	12/24	3/1.5
63J21	ECE MULTI Flood	Deutsch®	High Output Oval Work Lamp	3,000	36	12/24	3/1.5
63J31	ECE MULTI Wide Flood	Deutsch®	High Output Oval Work Lamp	3,000	36	12/24	3/1.5

All figures listed are based on nominal voltage

Accessories

Part Number	Description	Fits	Materials	Regulations / Standards	Ingress Protection
68580	Hard Shell SuperSeal Pigtail Blunt Cut	All Hard Shell SuperSeal Lamps	Powder-Coated Cast Aluminum Housing/CRS, Zinc Plate Bracket/ Polycarbonate Lens	ECE R10, Dir. 72/245/EEC, Amended by 2006/28/EC CE	IP69K
68610	Deutsch® Pigtail Blunt Cut	All Deutsch® Lamps			

VMRS Code: 034-006-031

TRILLIANT® MINI LED WORK LAMPS

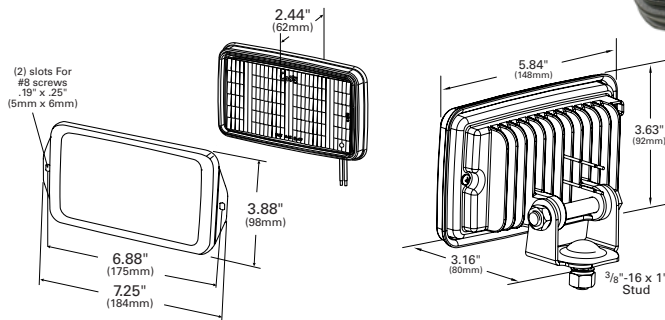
LED

FEATURES & BENEFITS

- LEDs are rated for 50,000 hours for long-lasting service
- Polycarbonate hard coated lens provides many years of service
- 3"X5" size makes this lamp a natural LED upgrade for many incandescent and halogen sealed beams



63601

63610
Flush Mount Version

63621



63611

Part Number	Light Pattern	Connection Type	Product Description	Light Output (Usable Lumens)	Wattage (W)	Voltage (V)	Amperage (A)
63601 ECE	Spot	Hardwire	3"X5" Work Lamp	700	17	12	1.4
63601-5 ECE RETAIL	Spot	Hardwire	3"X5" Work Lamp	700	17	12	1.4
63610 ECE	Flood	Hardwire	3"X5" Flush Mount Work Lamp	700	17	12	1.4
63602	Spot	Hardwire	3"X5" Work Lamp Red Lens	135		12	1.64
63611 ECE	Flood	Hardwire	3"X5" Work Lamp	700	17	12	1.4
63611-5 ECE RETAIL	Flood	Hardwire	3"X5" Work Lamp	700	17	12	1.4
63731	Spot	Hardwire	3"X5" Work Lamp	700	17	24	0.7
63741 ECE	Flood	Hardwire	3"X5" Work Lamp	700	17	24	0.7
63741-5 ECE	Flood	Hardwire	3"X5" Work Lamp	700	17	24	0.7
63621 ECE	Trapezoid	Hardwire	3"X5" Work Lamp	700	17	12	1.4
63621-5 ECE RETAIL	Trapezoid	Hardwire	3"X5" Work Lamp	700	17	12	1.4
63751	Trapezoid	Hardwire	3"X5" Work Lamp	700	17	24	0.7
63751-5 ECE RETAIL	Trapezoid	Hardwire	3"X5" Work Lamp	700	17	24	0.7

All figures listed are based on nominal voltage

Accessories

Part Number	Description	Fits
94690	Flush mount bracket and gasket	All Trilliant® Mini lamps to convert to Flush Mount

Materials	Regulations / Standards	Ingress Protection
Powder-Coated Die-Cast Aluminium Housing/ Polycarbonate Lens Stainless Steel Hardware	ECE R10, Dir. 72/245/EEC, Amended by 2006/28/EC	IP69K

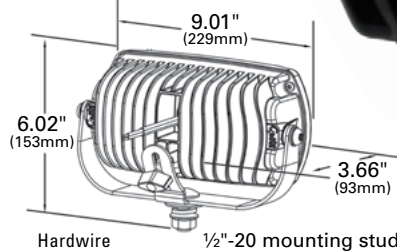
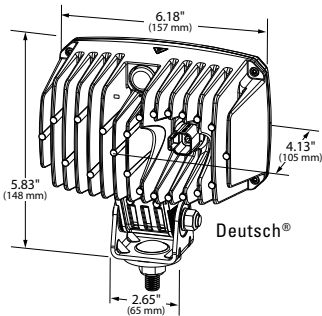
VMRS Code: 034-001-015 - 63601, 63601-5, 63602, 63731
034-006-031 - 63610, 63611, 63611-5, 63741, 63741-5,
63621, 63621-5, 63751, 63751-5

TRILLIANT® LED WORK LAMPS



FEATURES & BENEFITS

- Long-lasting, high output LED work lamp
- Field tested in brutal off-road conditions
- Easily mountable with a durable 1/2" stud mounting bracket, (also features Aim-N-Go technology on some models)



63E41



63Z81

63Z71

63Z61



63591



63571
Lens Optics Version

Part Number	Light Pattern	Housing Color	Connection Type	Optic Design	Light Output (Usable Lumens)	Wattage (W)	Voltage (V)	Amperage (A)
63571 <i>ECE</i> <i>MULTI</i>	Spot	Black	Hardwire	Lens	1,300	50	12/24	4.2/2.1
63581 <i>ECE</i> <i>MULTI</i>	Flood	Black	Hardwire	Lens	1,600	50	12/24	4.2/2.1
63E41 <i>ECE</i> <i>MULTI</i>	Flood	Black	Hardwire	Reflector	2,400	50	12/24	4.2/2.1
63E51 <i>ECE</i> <i>MULTI</i>	Wide Flood	Black	Hardwire	Reflector	2,200	50	12/24	4.2/2.1
63E71	Wide Flood	Black	Hardwire	Reflector	2,200	50	24	2.1
63591 <i>ECE</i> <i>MULTI</i>	Trapezoid	Black	Hardwire	Lens	1,600	50	12/24	4.2/2.1
63Z61 <i>ECE</i> <i>MULTI</i>	Close/Long Hybrid	Black	Deutsch®	Reflector	5,000	55	14-32	4.0-2.0
63Z71 <i>ECE</i> <i>MULTI</i>	Close Range	Black	Deutsch®	Lens	5,000	55	14-32	4.0-2.0
63Z81 <i>ECE</i> <i>MULTI</i>	Long Range	Black	Deutsch®	Lens	5,000	55	14-32	4.0-2.0

Accessories

Part Number	Description	Fits
43652	Black Bracket	All Trilliant® Lamps

Materials	Regulations / Standards	Ingress Protection
Housing: Powder-Coated Aluminum Bracket: CRS, Black Zinc-Plated Lens: Polycarbonate	ECE R10, Dir. 72/245/EEC, Amended by 2006/28/EC	IP69K

VMRS Code: 034-001-015 - 63571
034-006-031 - 63581, 63E41, 63E51, 63E71, 63591, 63Z61, 63Z71, 63Z81

All figures listed are based on nominal voltage

T26 LED WORK LAMP

LED

FEATURES & BENEFITS

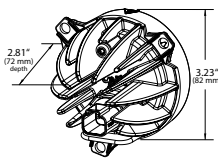
- Efficient light engine projects 1,800 to 3,000 effective lumens using only 18 watts of power across 10-48 volts
- Rugged mechanical design ensures consistent performance and long life in the harshest environments
- Small size combined with tough construction allows mounting in places where larger or less rugged lamps cannot fit or survive
- Advanced circuit design provides electronically quiet operation; protects against EMI without interfering with other electronic devices
- Clean, white light designed to represent true colors, just like day light



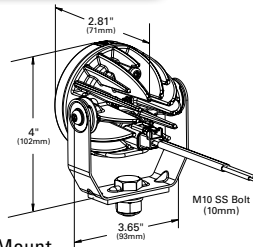
64G01



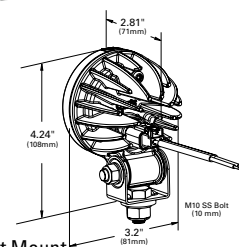
64F11 - Flush Mount



64E11 - Pinch Mount



64G11 - Pendant Mount



Part Number	Light Pattern	Connection Type	Product Description	Light Output (Usable Lumens)	Wattage (W)	Voltage (V)	Amperage (A)
64E01 ECE MULTI	Far Flood	Deutsch®	Pinch Mount	1,800	18	10-48	1.75-.36
64E01-5 ECE MULTI RETAIL	Far Flood	Deutsch®	Pinch Mount	1,800	18	10-48	1.75-.36
64E11 ECE MULTI	Near Flood	Deutsch®	Pinch Mount	1,800	18	10-48	1.75-.36
64E11-5 ECE MULTI RETAIL	Near Flood	Deutsch®	Pinch Mount	1,800	18	10-48	1.75-.36
64F11 ECE MULTI	Near Flood	Deutsch®	Flush Mount	1,800	18	10-48	1.75-.36
64F71 ECE	Near Flood	Deutsch®	Flush Mount	1,000	20	24	.88
64G01 ECE MULTI	Far Flood	Deutsch®	Pendant Mount	1,800	18	10-48	1.75-.36
64G01-5 ECE MULTI RETAIL	Far Flood	Deutsch®	Pendant Mount	1,800	18	10-48	1.75-.36
64G11 ECE MULTI	Near Flood	Deutsch®	Pendant Mount	1,800	18	10-48	1.75-.36
64G11-5 ECE MULTI RETAIL	Near Flood	Deutsch®	Pendant Mount	1,800	18	10-48	1.75-.36
64G41 ECE	Far Flood	Deutsch®	Pendant Mount	1,000	20	12	1.7
64G51 ECE	Near Flood	Deutsch®	Pendant Mount	1,000	20	12	1.7
64G61 ECE	Far Flood	Deutsch®	Pendant Mount	1,000	20	24	.88
64G71 ECE	Near Flood	Deutsch®	Pendant Mount	1,000	20	24	.88

All figures listed are based on nominal voltage

Accessories

Part Number	Description
68610	Replacement Harness - Deutsch® pigtail
01-9950-H1	Flush Mount Clips

VMRS Code: 034-006-031

Materials	Regulations / Standards	Ingress Protection
Housing: Powder-Coated Aluminum Lens: Polycarbonate Hardware: CRS, Zinc-plated	SAE J575™ and ISO 60068-2-6:1996 (impact), SAE J1455™ (thermal stress), SAE J2139™ (corrosion), ISO16750-4:2003 (storage temperature) CE	IP69K

TRILLIANT® 36 LED WORK LAMPS

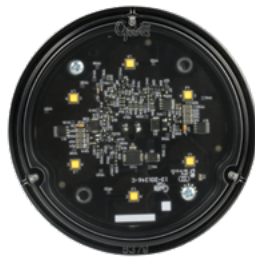


FEATURES & BENEFITS

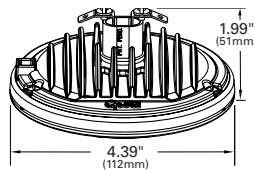
- Hard-coated lens for durability and protection against UV
- Thermal pull-back circuit to protect the LEDs from overheating
- Aluminum housing with black powder coating
- Bulb termination accommodates either screw or FastOn cable connections
- Color temperature provides a natural contrast most like sunlight, reducing eye fatigue and optimizing job performance
- Replaceable lens with three stainless steel Phillips head screws



63821



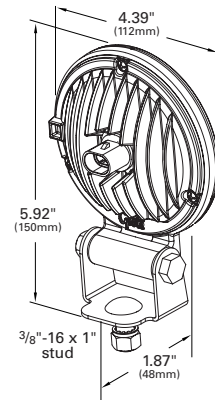
63831



63861



63871



Part Number	Light Pattern	Connection Type	Product Description	Light Output (Usable Lumens)	Wattage (W)	Voltage (V)	Amperage (A)
63971 <i>MULTI</i>	TractorPlus	Hard Shell SuperSeal	Replaceable bulb version	850	17	12/24	1.3/.7
63H81 <i>MULTI</i>	Wide Flood	Hard Shell SuperSeal	Replaceable bulb version	850	17	12/24	1.3/.7
63H01 <i>MULTI</i>	Wide Flood	Deutsch®	Integrated bracket	850	17	12/24	1.3/.7
63H11 <i>MULTI</i>	TractorPlus	Deutsch®	Integrated bracket	850	17	12/24	1.3/.7
63821-5 <i>MULTI RETAIL</i>	TractorPlus	Spade/Screw Terminals	Replaceable bulb version	850	17	12/24	1.3/.7
63821 <i>MULTI</i>	TractorPlus	Spade/Screw Terminals	Replaceable bulb version	850	17	12/24	1.3/.7
63831-5 <i>MULTI RETAIL</i>	Wide Flood	Spade/Screw Terminals	Replaceable bulb version	850	17	12/24	1.3/.7
63831 <i>MULTI</i>	Wide Flood	Spade/Screw Terminals	Replaceable bulb version	850	17	12/24	1.3/.7
63861-5 <i>MULTI ECE RETAIL</i>	TractorPlus	Hard Shell SuperSeal	Integrated bracket	850	17	12/24	1.3/.7
63861 <i>MULTI ECE</i>	TractorPlus	Hard Shell SuperSeal	Integrated bracket	850	17	12/24	1.3/.7
63871-5 <i>MULTI RETAIL</i>	Wide Flood	Hard Shell SuperSeal	Integrated bracket	850	17	12/24	1.3/.7
63871 <i>MULTI</i>	Wide Flood	Hard Shell SuperSeal	Integrated bracket	850	17	12/24	1.3/.7

All figures listed are based on nominal voltage

Accessories

Part Number	Description	Fits
68580	Hard Shell SuperSeal Pigtail Blunt Cut	All Hard Shell SS T36 Lamps
68610	Deutsch® Pigtail Blunt Cut	63H01, 63H11

Materials	Regulations / Standards	Ingress Protection
Housing: Powder-Coated Aluminum Lens: Polycarbonate	ECE R10, Dir. 72/245/EEC, Amended by 2006/28/EC	IP69K

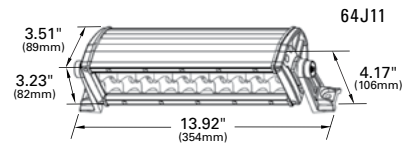
VMRS Code: 034-006-031

LED BAR LAMPS

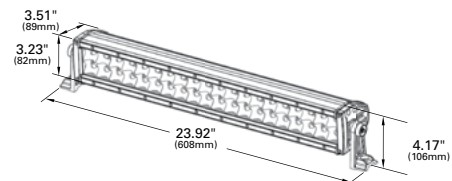
LED

FEATURES & BENEFITS

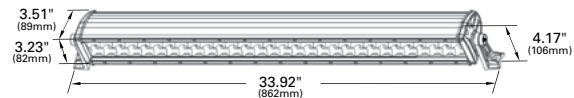
- Rugged bar lamps feature LEDs to produce a high intensity light output with a color temperature that is easy on the eyes
- Multiple lengths and patterns to make choosing the right lamp a simple process
- Each lamp ships with cast aluminum brackets, harness, relay, fuse and in-dash switch



64J11



64J21



64J31



Part Number	Light Pattern	Product Description	Light Output (Usable Lumens)	LPW (Lumens per Watt)	Voltage (V)	Amperage (A)
64J11 <small>RETAIL MULTI</small>	Far Flood	10" Double Row	2,700	61	12/24	3.5/1.5
64J21 <small>RETAIL MULTI</small>	Far Flood	20" Double Row	5,400	61	12/24	7/3
64J31 <small>RETAIL MULTI</small>	Far Flood	30" Double Row	8,100	61	12/24	10.5/4.5

All figures listed are based on nominal voltage

Accessories

Part Number
Replacement Harness: 67760 (10" lamp), 67770 (20"-50" lamps)
Hardware Kit: 98160
Relay: 84-1093 For use with harness if voltage over 14V

Materials	Regulations / Standards	Ingress Protection
Housing: Anodized Aluminum	400N pull test (harness), ASTM B117 Corrosion,	IP67 and IP69K
Lens: Polycarbonate	3.3G Vibration test	

VMRS Code: 034-006-031

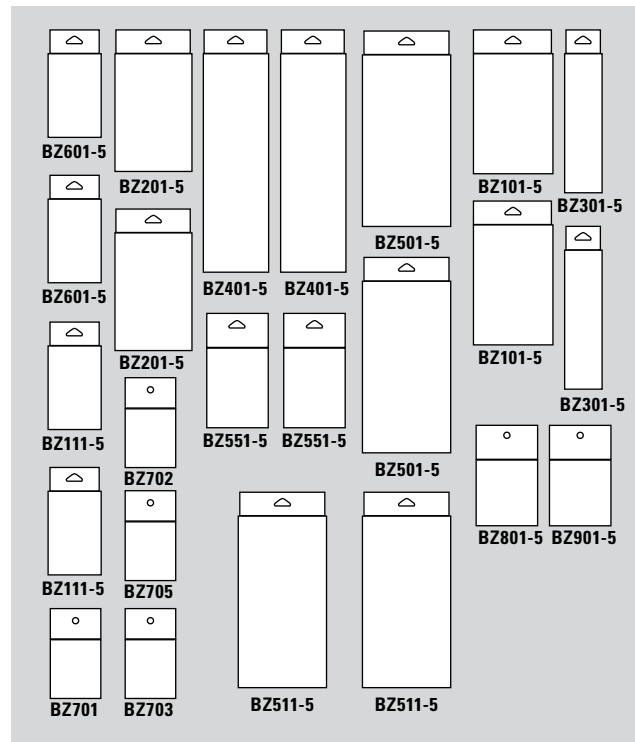
BRITE ZONE® DISPLAY PROGRAM



00200 3 Foot In-line / Endcap



00211 Countertop Display



Part Number	Description
00200	Brite Zone® In-Line Display
00211	Brite Zone® Countertop Display

VMRS Code: 002-058-017

LED

BRITE ZONE® HANDHELD LED WORK LAMPS

FEATURES & BENEFITS

- Go Anywhere LED Work Lamp comes with wall & car chargers, EZ Grip LED Work Lamp comes with a wall charger
- The magnetic polymer base allows you to secure the lamp to most metal surfaces
- With rugged, durable construction and LED power that far outshines halogen, Brite Zone® lamps get the job done
- Long after the sun goes down, whether you're boating, mowing, off-roading, or working, you need lamps as tough and tireless as you are.
- Grote's Brite Zone® range has the LED lamp to shed light on any use – even tow trucks, garbage trucks and forklifts – without breaking the bank



BZ501-5



BZ511-5



BZ801-5



BZ901-5

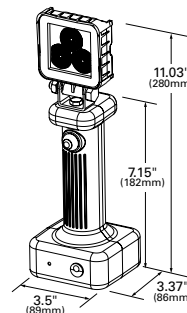
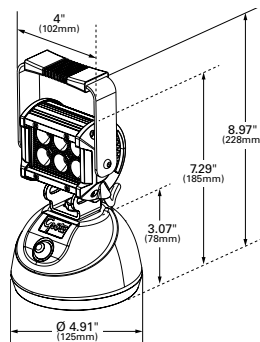


BZ701

BZ702

BZ703

BZ705



BZ401-5

Part Number	Description	LEDs	Power Consumption	Raw Lumens	Voltage (V)
BZ501-5	Go Anywhere LED Work Lamp	6	12 Watts	1,100	12 Volts DC
BZ511-5	Go Anywhere Mossy Oak Camo LED Work Lamp	6	12 Watts	1,100	12 Volts DC
BZ401-5	EZ Grip LED Work Lamp	3	12 Watts	775	12 Volts DC
BZ701	Clear Lens For BZ501-5				
BZ702	Red Lens For BZ501-5				
BZ703	Amber Lens For BZ501-5				
BZ705	Blue Lens For BZ501-5				
BZ801-5	Wall Charger for BZ401-5 or BZ501-5				
BZ901-5	Car Charger for BZ401-5 or BZ501-5				

All figures listed are based on nominal voltage

Materials

Lens: Polycarbonate
Housing: Die-Cast Aluminum Lamp with Polymer Base
Bracket: Stainless Steel

Light Output

Flood Pattern With
Cool White Color

VMRS Code: 034-006-031

BRITE ZONE® LED WORK LAMPS

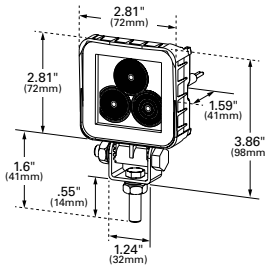


FEATURES & BENEFITS

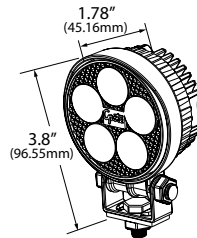
- With rugged, durable construction and LED power that far outshines halogen, Brite Zone® lamps get the job done
- Long after the sun goes down, whether you're boating, mowing, off-roading, or working, you need lamps as tough and tireless as you are.
- Grote's Brite Zone® range has the LED lamp to shed light on any use – even tow trucks, garbage trucks and forklifts – without breaking the bank
- Value priced to meet any budget



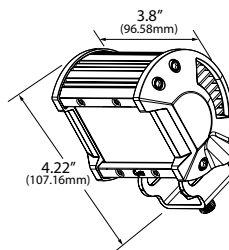
BZ601-5



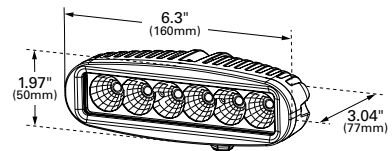
BZ111-5



BZ551-5



BZ301-5



Part Number	Description	LEDs	Power Consumption	Raw Lumens	Voltage (V)
BZ101-5 <i>RETAIL MULTI</i>	Round Work Lamp	6	15 Watts	1,600	9-32V
BZ201-5 <i>RETAIL MULTI</i>	Square Work Lamp	5	13 Watts	1,100	9-32V
BZ301-5 <i>RETAIL MULTI</i>	Slim Work Lamp	6	15 Watts	1,400	9-32V
BZ601-5 <i>RETAIL MULTI</i>	Mini Square Work Lamp	3	8.1 Watts	775	12-36V
BZ111-5 <i>RETAIL MULTI</i>	Small Round Work Lamp	5	14 Watts	1,240	12-36V
BZ551-5 <i>RETAIL MULTI</i>	Rectangular Work Lamp	6	15 Watts	1,200	12-36V

All figures listed are based on nominal voltage

Materials	Light Output
Lens: Polycarbonate	Flood Pattern With Cool White
Housing: Die-Cast Aluminum	Colorbulb: 24-Volt - H3, 70
Bracket: Stainless Steel	

VMRS Code: 034-006-031

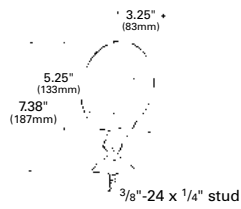
PAR 36 UTILITY LAMPS

FEATURES & BENEFITS

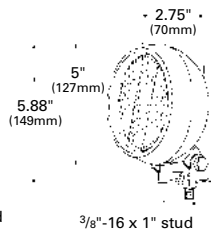
- For versatile application as utility, fifth-wheel, back-up, tractor, forklift or off-road vehicle lamp



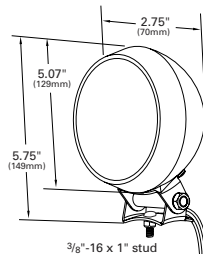
64101



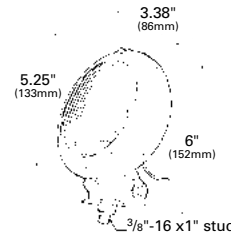
64111



63551



64931



Part Number	Light Pattern	Product Description	Housing Material	Light Output (CP)	Wattage (W)	Voltage (V)	Amperage (A)
64931	Tractor	Incandescent Work Lamp	Rubber	3,000	35W	12V	2.7A
64931-5 <small>RETAIL</small>	Tractor	Incandescent Work Lamp	Rubber	3,000	35W	12V	2.7A
64921	Tractor	Incandescent Work Lamp	Rubber	5,000	50W	24V	1.8A
64101	Tractor	Incandescent Work Lamp	Steel	3,000	35W	12V	2.7A
64441	Trapezoid	Incandescent Work Lamp	Steel	3,000	35W	12V	2.7A
64111	Spot	Chrome Surveillance Lamp	Steel	33,000	35W	12V	2.7A
63551	Flood	4" LED In Rubber Housing	Rubber	400 Lm	7.7W	12V	0.6A

All figures listed are based on nominal values

Accessories

Part Number	Product Description	Fits
64930	Rubber Housing	Par 36 Bulbs
43300	Magnet Mounting Hardware	Pedestal Mount Lamps
63821	LED Replacement Bulb, TractorPlus	Rubber Lamps
63821-5 <small>RETAIL</small>	LED Replacement Bulb, TractorPlus	Rubber Lamps
63831	LED Replacement Bulb, Wide Flood	Rubber Lamps
63831	LED Replacement Bulb, Wide Flood	Rubber Lamps

Other Replacement Bulbs

Part Number	Product Description	Fits
4411	Par 36 Bulb	64931, 64101, 64441
4589	Par 36 Bulb	64921
7400	Halogen Par 36 Bulb	64111

VMRS Code: 034-001-015 - 64111

034-006-031 - 64931, 64931-5, 64921, 64101, 64441, 63551

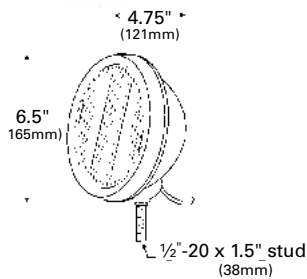
PAR 46 UTILITY LAMPS

FEATURES & BENEFITS

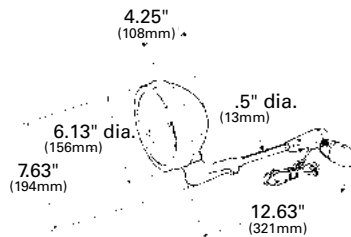
- For versatile application as utility, fifth-wheel, back-up, tractor, or off-road vehicle lamp



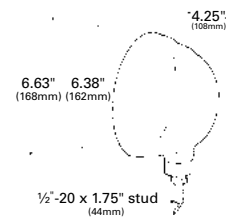
64341



63921



64941



Part Number	Light Pattern	Product Description	Housing Material	Light Output (CP)	Wattage (W)	Voltage (V)	Amperage (A)
64941	Flood	Incandescent work lamp	Rubber	1,100	35W	12V	2.7A
64471	Flood	Halogen work lamp	Rubber	200,000	100W	12V	7.7A
64341	Tractor	Incandescent work lamp	Steel	1,110	35W	12V	2.7A
63921	Spot	Halogen adjustable surveillance lamp w/ handle, chrome finish	Steel	160,000	50W	12V	3.9A
63941	Spot	Halogen adjustable surveillance lamp, chrome finish	Steel	75,000	30W	12V	2.3A

All figures listed are based on nominal values

Accessories

Part Number	Description	Fits
64940	Rubber Housing	Par 46 Bulbs
64011	Steel Housing	Par 46 Bulbs
64021	Steel (Chrome) Housing	Par 46 Bulbs

VMRS Code: 034-001-015 - 63921, 64941
034-006-031 - 64471, 64341, 63941

Other Replacement Bulbs

Part Number	Description	Fits
4435	Spot Pattern Par 46 Lamps	64471, 63921, 63941
4413	Flood Pattern Par 46 Lamps	64941
4537	Par 46 Lamps	64471, 64941, 64341, 63921, 63941

4" ROUND UTILITY LAMP

Cost-effective LED lighting option is rated at 50,000 hours • Hardwired for easy integration into current wiring system • Pattern closely resembles a spot pattern

63561 Clear, Rubber Housing

Material: Polycarbonate/Rubber (63561)

Finish: Clear/Black (63561)

Volts / Amps: 12V / .6A; 282 Lumens

VMRS Code: 034-001-015

COMPOSITE WORK LAMP

Composite design (bulb replaceable) • Multiple beam patterns for use in any application • Side or top mount • John Deere® replacement lamp

64611 Top Mount, Flood

Material: Nylon/Glass

Finish: Black

Volts / Amps: 12V / 3.9A

Bulb: 888, 95 CP

VMRS Code: 034-001-015

4" X 6" RECTANGULAR RUBBER WORK LAMP

Lamps maintains structural integrity through all weather conditions (-50°F to +150°F) • Reinforced, ribbed housing for added strength • Adjustable bracket with 12mm diameter stud

64891 Flood

64890 Housing only

Material: Rubber

Finish: Black

VMRS Code: 034-006-031

RECTANGULAR HALOGEN WORK LAMP

Available in trapezoid, spot and flood beam patterns • Rugged corrosion- and shock-resistant construction • For versatile application needs such as tractor, utility, fifth-wheel, or off-road

63151-5 Flood

RETAIL

63171-5 Trapezoid

RETAIL

63241-5 Flood

RETAIL

24 VOLT

Material: Nylon

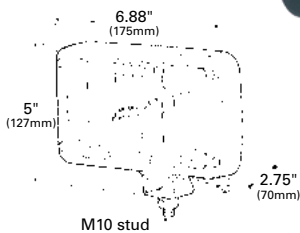
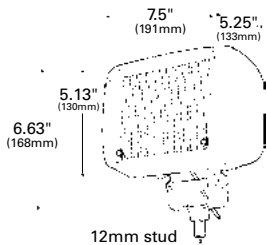
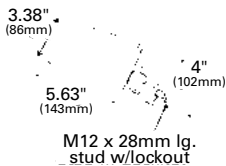
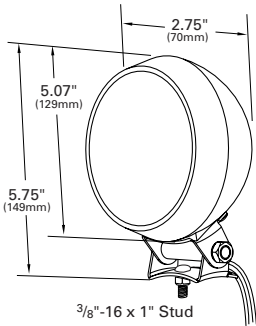
Finish: Black

Volts / Amps: Bulb H3, 55 Watt, 121 CP: 12V / 4.7A

Bulb H3, 70 Watt, 146 CP: 24V / 2.7A

Accessory: Bulb: 12V 90971-5, 24V 91051



VMRS Code: 034-006-031



LARGE RECTANGULAR HALOGEN WORK LAMP

Rugged corrosion and shock-resistant construction • For heavy or light duty
 • Versatile design suitable for applications such as tractor, utility, fifth-wheel, or off-road

63181-5 Flood 

63251-5 Flood  

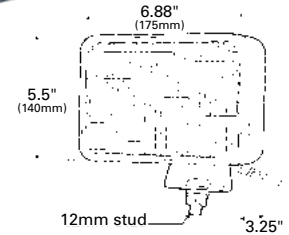
Material: Nylon

Finish: Black

Volts / Amps: Bulb H3, 55 Watt, 121 CP: 12V / 4.7A
 Bulb H3, 70 Watt, 146 CP: 24V / 2.7A

Accessory: Bulb: 12V 90971-5, 24V 91051

VMRS Code: 034-006-031



TWIN-BEAM HALOGEN WORK LAMP

Reinforced nylon housing for strength and durability • Hardened-glass lens resists breakage from road hazards • Complies with SAE J575e™ vibration and corrosion standards

64901 Flood

Material: Nylon, Glass

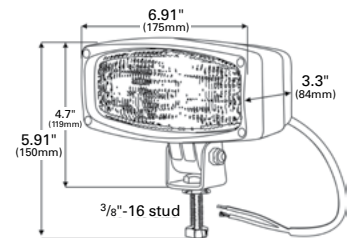
Finish: Black

Volts / Amps: 12V / 9.4A, 55 Watt

Bulb: H3 (x 2)

Accessory: Bulb: 90971-5

VMRS Code: 034-006-031



PIGTAILS FOR WORK LAMPS

For more information on pigtail products see **Pigtails** section: page 254

DEUTSCH® CONNECTOR

68610 12" Long, Blunt Cut Wires

HARD SHELL SUPERSEAL CONNECTOR

68580 9" Long, Blunt Cut Wires



MOUNTING FOR WORK LAMPS

For more information on mounting products see **Mounting Options** section: page 264



FLUSH-MOUNT WORK LAMP BRACKET

94690 Stainless Steel

Material: Stainless Steel
Finish: Stainless Steel

WORK LIGHT MOUNTING BRACKET

94450 Steel Mounting Bracket

Material: 16 GA Steel
VMRS Code: 034-006-034



ADJUSTABLE BRACKET FOR TRILLIANT® LAMPS

43652 Bracket, Black

Material: Zinc
Finish: Black or White

REPLACEMENT LENSES

LENS MODEL NUMBER	FITS LAMP	LENS MODEL NUMBER	FITS LAMP
09561	02001-4	09781	06021-4
09681	05001-5		06001-4
	05301-5		06201
	05041-5	09793	06021-4
	05051-5		06001-4
			06201



09781



09793



09561



09681

SIGN-UP FOR GROTE'S ENHANCED G24/7 VISIT ORDERS.GROTE.COM



Grote® Industries is pleased to announce the launch of the enhanced G24/7 system. This complimentary service is an innovative way to place orders, track order status and view all your Grote® product activity. From the convenience of your computer or mobile device, you can now access previously unavailable information that will help you more successfully manage your business and inventory.

ORDERS.GROTE.COM

NEW FEATURES

- ***PAY ANY INVOICE ONLINE ANY TIME***
- ***EASY CREDIT CARD PROCESSING***
- ***NOW MOBILE FRIENDLY***
- ***REPRINT PACKING LISTS AND INVOICES***



UPLOAD FROM MICROSOFT® EXCEL

Customers can also upload items from Microsoft® Excel to create orders.

REFER AND REORDER USING "MY LIST"

The user can create a list of products for future reference or to reorder.

E-MAIL NOTIFICATION

When a new order is created and when an order is shipped, unlimited recipients can receive an instant e-mail notification.

ORDER ENTRY ONLINE BY CUSTOMER PART NUMBER

USING G24/7, YOU CAN QUICKLY AND EASILY:

- Track the status of current orders
- Check the status of backorders
- Check for substitutions or replacements for obsolete parts
- Check Grote® inventory availability
- Confirm ship dates
- Link to shipping carrier
- View invoice information
- Track credits
- View weight & packaging information
- View previously placed orders
- View product technical information
- Reprint packing lists and invoices

