

# Trilliant<sup>®</sup> Cube 3000

## Data sheet

WORK LIGHTING



### Cube Work Lights: Leading Edge Features and Enhanced Functionality

- Highly efficient circuit board produces 68 lumens per watt across all voltages
- 10 x10cm housing with a reduced depth of only 75 mm
- Die-cast aluminium housing and stainless steel mounting bracket for toughest environmental conditions
- Scratch resistant and UV-proof hard coated polycarbonate lens
- Sealed lamp resists particle and water intrusion which meet IP69K
- Includes heat management and transient protection technology for enhanced LED life
- True multivoltage operating range (9 - 32 V)
- Premium level EMC requirements (CISPR 25 class 5) - won't interfere with radio signals
- Complies with ISO 14982 and EN 13309 for operation in agricultural- and construction-site machinery

### PRODUCT SPECIFICATIONS

#### OPTICAL CHARACTERISTICS

Illuminance	Calculated: 4200lm Instant-on (t <sub>0</sub> ): 3530lm Continuous (t <sub>30</sub> ): 3040lm
Color temperature (CCT)	5700K
Color rendering index (CRI)	70
Efficacy	68lm/W

#### ELECTRICAL CHARACTERISTICS

Operating voltage range	9- 32V
Input current	3.2A (14V) and 1.6A (28V)
Inrush current	Nominal input current is not exceeded
Power consumption	45W
Input connector	Deutsch DT, Superseal
Operating temperature range	-40° C to +50° C / -40° F to 122° F
Reverse polarity protection	✓
Overheat protection	✓
ESD, overvoltage and transient protection	✓

#### MECHANICAL CHARACTERISTICS

Dimensions	100x100x75 mm (HxWxD)
Weight	720 g
Materials	Lens: Scratch and UV resistant hard coated polycarbonate Housing: Aluminium powder-coated
Color	Black
IP Code	IP6K9K, IPX7
Mounting	Pendant (screw M10)
Maximum storage temperature	-55° C to +110° C / -67° F to 230° F
Impact and shock resistance	50 G
Vibration resistance	5G (5- 500Hz)

#### APPROVALS AND CERTIFICATES

ECE	R10
CE	✓
ISO 14982	✓
EN 13309	✓
ISO 7637-2 / ISO 16750-2	✓
ISO 10605	✓
ISO 11452	Section 2 and 4
CISPR 25	Class 5
ISO 16750	Section 3-5
EN 60068	✓
ISO 20653	✓



Part Number	Light Pattern	Connector
63W41	LONG RANGE	Deutsch DT
63W61	CLOSE RANGE	Deutsch DT
63W71	CLOSE RANGE	Superseal

2600 Lanier Drive, Madison, Indiana U.S.A. 47250-0550

U.S. 800.628.0809 Canada 800.268.5612

Europe +49 9422 40331-0 Mexico +(52) 818262 4412 China +86.21.5774.9633

[grote.com](http://grote.com)

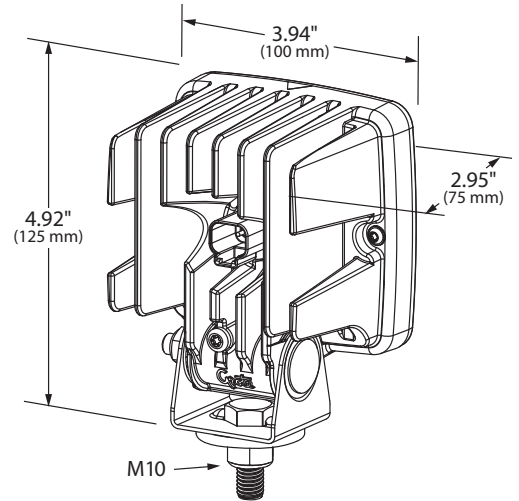
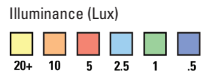
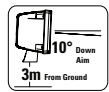
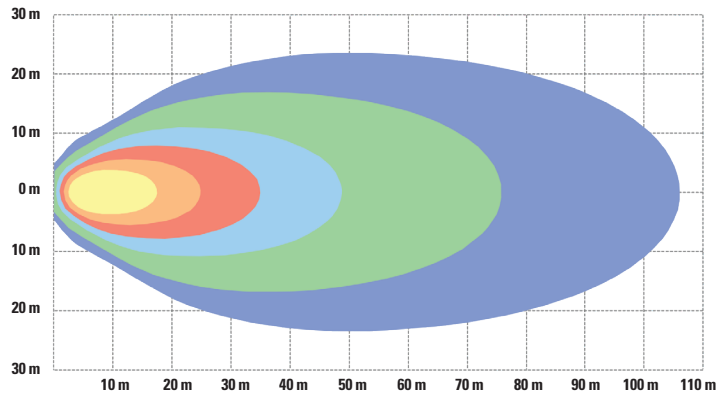


# Trilliant<sup>®</sup> Cube 3000

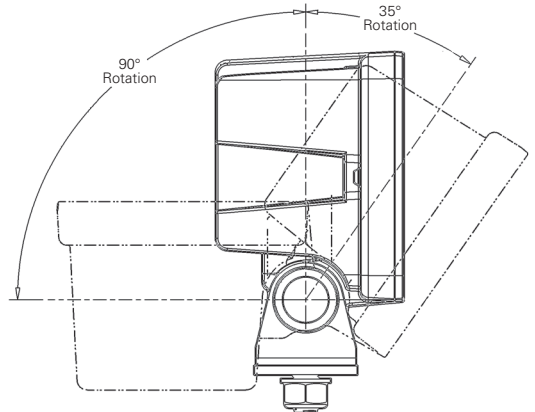
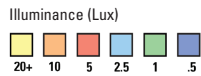
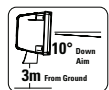
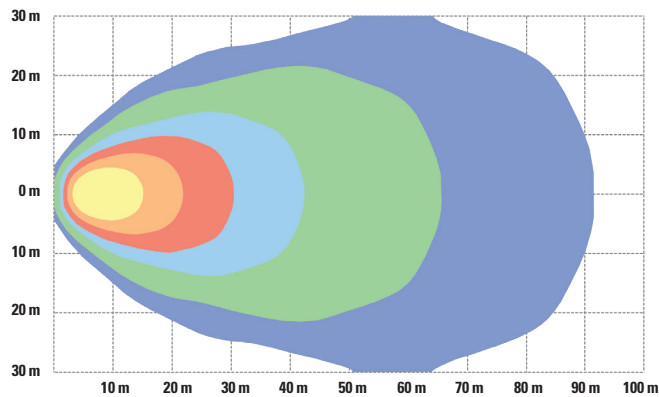
## Data sheet

WORK LIGHTING

Long Range - IsoLux (63W41, 63W51)



Close Range - IsoLux (63W61, 63W71)



2600 Lanier Drive, Madison, Indiana U.S.A. 47250-0550

U.S. **800.628.0809** Canada **800.268.5612**

Europe **+49 9422 40331-0** Mexico **+(52) 818262 4412** China **+86.21.5774.9633**

[grote.com](http://grote.com)

