

**WARNING & HAZARD**

# LED MINI LIGHT BAR Class I

Permanent Mount, Vacuum Mount

►► NOW AVAILABLE!

**FEATURES & BENEFITS**

- Permanent mount models – 20 customer selectable flash patterns via external pattern select wire
- Low profile reduces drag and friction
- S-Link™ System\* synchronizing capabilities with up to six other units (for hardware models only). Allows for synchronization with other S-Link compatible products
- Magnetic and vacuum mounted products come complete with a cigarette plug for on/off function and 20 user selectable flash patterns
- 5 Year Warranty

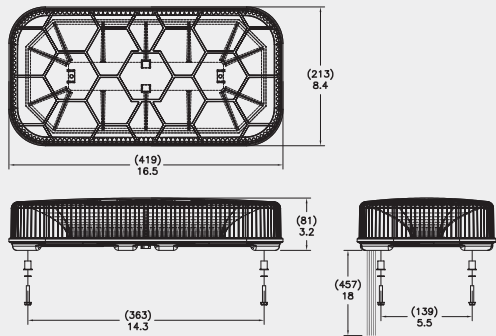
**PERMANENT MOUNT**

**Voltage:** 12 to 24 VDC  
**Amp Draw:** 2.3 amps max

**VACUUM MAGNET**

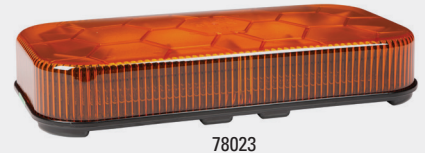
**Voltage:** 12 VDC  
**Amp Draw:** 2.3 amps max

**APPROVALS: SAE J845 CLASS I**



PART #	DESCRIPTION	MOUNT	COLOR
78020	LED Mini Light Bar	Permanent	Amber/Blue
78023	LED Mini Light Bar	Permanent	Amber
78025	LED Mini Light Bar	Permanent	Blue
78130	LED Mini Light Bar	Vacuum Magnet	Amber/Blue
78133	LED Mini Light Bar	Vacuum Magnet	Amber
78135	LED Mini Light Bar	Vacuum Magnet	Blue
78443	LED Mini Light Bar	Magnetic	Amber
<b>SERVICE PARTS</b>			
98311	Replacement Lens		Clear
98313	Replacement Lens		Amber
98315	Replacement Lens		Blue

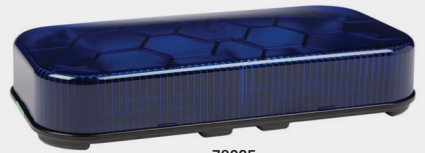
S-Link is a Trademark of Star1889 Headlight & Lantern Co.



78023



78020



78025



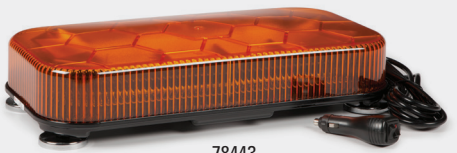
78133



78130



78135



78443

**FOR MORE INFORMATION VISIT  
OUR WEBSITE AT GROTE.COM**  
**GROTE'S GOT IT!**

**\*S-LINK TECHNOLOGY:** S-Link System is a proprietary technology that will allow similar S-Link products to be synchronized. This would allow for a user to define the flash patterns on multiple devices for a customized, tailored look on a vehicle. Note: Only S-Link compatible products can be synchronized together. Refer to user installation manuals for details on S-Link Synchronization.



230 Travail Rd, Markham,  
Ontario, Canada L3S 3J1  
**Tel:** 800.268.5612  
**US:** 800.628.0809  
www.grote.com

CONNECT & PROTECT