

WARNING & HAZARD

LED BEACON

Class I, Dual Color

Permanent Mount

►► NOW AVAILABLE!

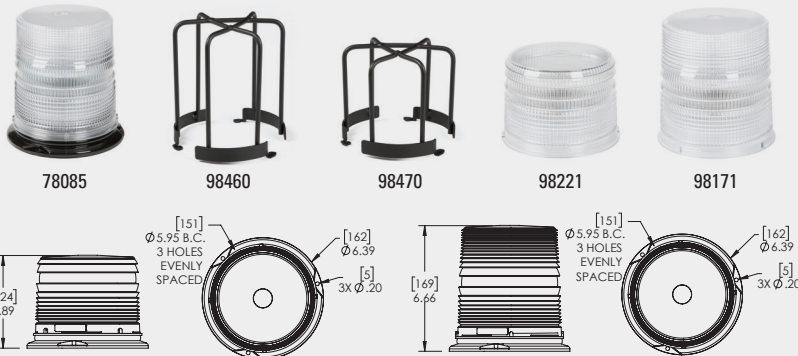
FEATURES & BENEFITS

- 12 Customer selectable flash patterns including steady-on
- S-Link™ System* synchronizing capabilities with up to six other units (for hardwire models only). Allows for synchronization with other S-Link compatible products
- Change colour selection with the flip of a switch
- 3-hole permanent mount, 1" pipe mount
- Circuit boards are conformal coated to protect circuitry
- 5 year warranty

Voltage: 12 to 24 VDC

Amp Draw: 0.6 amps @ 12 VDC, 0.3 amps @ 24 VDC

APPROVALS: SAE J845 CLASS I



78075



78081

| PART # | DESCRIPTION | COLOR |
|----------------------|---------------------------------|-------------|
| 78071 | LED Beacon, Class I, Short Lens | Amber/White |
| 78075 | LED Beacon, Class I, Short Lens | Amber/Blue |
| 98470 | Branch Guard (Low Profile) | |
| 78081 | LED Beacon, Class I, Tall Lens | Amber/White |
| 78085 | LED Beacon, Class I, Tall Lens | Amber/Blue |
| 98460 | Branch Guard (High Profile) | |
| SERVICE PARTS | | |
| 98171 | Replacement Tall Lens | Clear |
| 98221 | Replacement Short Lens | Clear |

* **S-LINK TECHNOLOGY:** S-Link System is a proprietary technology that will allow similar S-Link products to be synchronized. This would allow for a user to define the flash patterns on multiple devices for a customized, tailored look on a vehicle. Note: Only S-Link compatible products can be synchronized together. Refer to user installation manuals for details on S-Link Synchronization.

**FOR MORE INFORMATION VISIT
OUR WEBSITE AT GROTE.COM**
GROTE'S GOT IT!



230 Travail Rd, Markham,
Ontario, Canada L3S 3J1
Tel: 800.268.5612
US: 800.628.0809
www.grote.com