

# 4" Round & 6" Oval Snap-In Cover Plates

Data Sheet

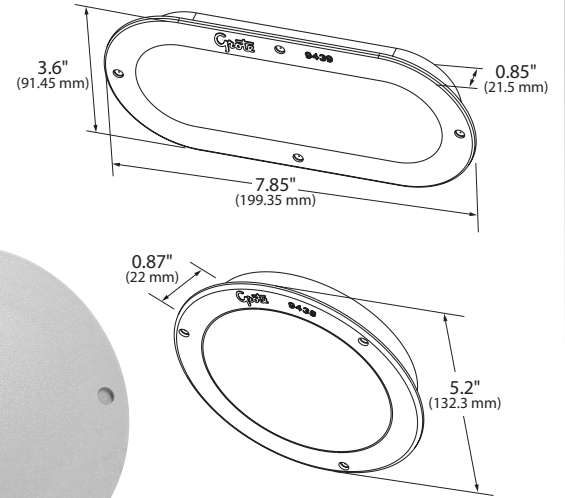
PIGTAILS, GROMMETS AND BRACKETS



## PRODUCT SPECIFICATIONS

### MATERIALS

Polycarbonate  
Finish: Gray/Black



The snap-in cover plate is an essential addition for retro-fits and changes in lighting schemes

- The easy to install cover plate is held in place by snap tabs that accommodate plate thicknesses from .125" to .250"
- The snap-in feature can help reduce installation time by more than 60%
- The molded-in template matching the standard Grote flange mounting hole pattern allows error-free screw mounting for added security
- The included foam gasket minimizes any chance of moisture intrusion
- Requires 4 1/2" or 6 1/2" mounting hole
- Comes in packs of 2 covers

PART NUMBER	DESCRIPTION	COLOR
94380-4	4" Round Snap-In Cover Plate	Gray
94382-4	4" Round Snap-In Cover Plate	Black
94390-4	6" Oval Snap-In Cover Plate	Gray
94392-4	6" Oval Snap-In Cover Plate	Black

2600 Lanier Drive, Madison, Indiana U.S.A. 47250-0550

U.S. 800.628.0809 Canada 800.268.5612

Europe +49 9422 40331-0 Mexico +(52) 818262 4412 China +86.21.5774.9633

[grote.com](http://grote.com)