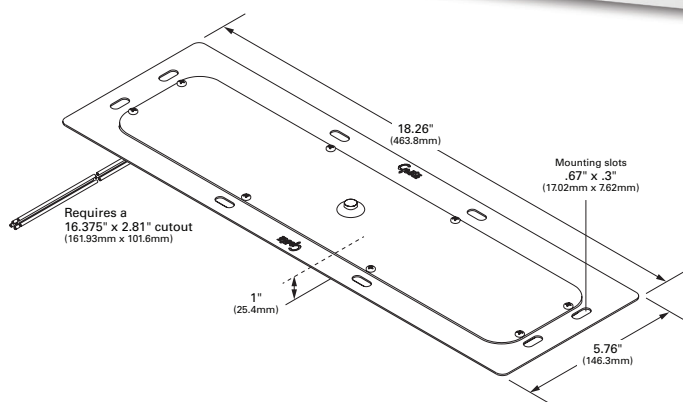


# LED 18" Dome Lamp with Synchronized Motion Sensor

Data Sheet

INTERIOR LIGHTING



## PRODUCT SPECIFICATIONS

### MATERIAL

Aluminum Housing, White Powder Coat  
Polycarbonate Lens

### ELECTRICAL CHARACTERISTICS

Operating Voltage: 9V-13V  
Total Current Draw: 1.75 Amp  $\pm$  15% @ 12V

### RATINGS AND COMPLIANCES

Thermal Stress: J1455  
Vibration: SAE J2139 S4.1

White Wire - Ground (GND)  
Black Wire - Positive (B+)  
Green Wire - Synchronize (SYNC)

## Synchronized Interior Dome Light. One-on/All-on with motion sensor.

- SYNC wire connects multiple lights in system.
- Motion sensor technology is designed to eliminate switch.
- Lamp activates once PIR sensor detects a moving body of different temperature within 10 feet.
- Lamp operates 40 minutes at full intensity, then 3 minutes at 10% intensity before shut off.
- Robust, one-piece, aluminum housing and rugged polycarbonate lens.
- Wide spread optic pattern provides wall-to-wall coverage.
- Built-in, automatic thermal protection device.
- Operates at temperatures -4°F to 122°F (-20°C to 50°C).

PART NUMBER	DESCRIPTION	LIGHT SOURCE	OUTPUT
61M11	Synchronized Interior 18" Dome Lamp	LED	940 Lumens
61M11-3	Synchronized Interior 18" Dome Lamp Bulk Pack	LED	940 Lumens

2600 Lanier Drive, Madison, Indiana U.S.A. 47250-0550

U.S. **800.628.0809** Canada **800.268.5612**

Europe **+49 9962/20008-0** Mexico **011 (52) 81-8262-4400**

[grote.com](http://grote.com)

