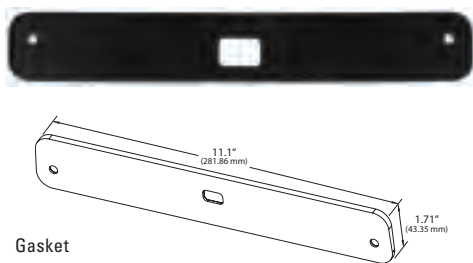
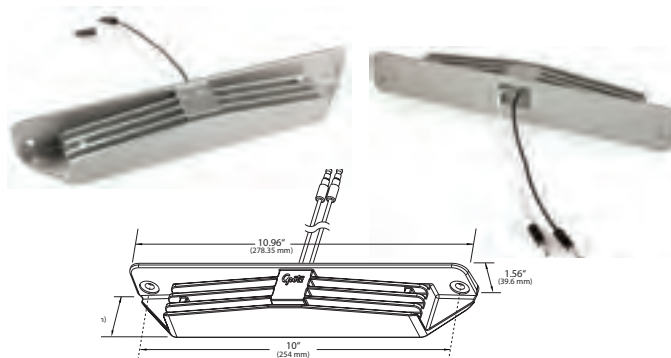


## GROTE LED RADIUS LIGHT

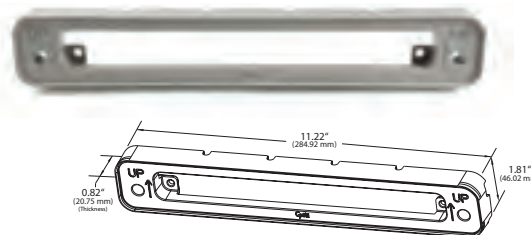


### FEATURES & BENEFITS

- Tough, durable and lightweight cast aluminum housing.
- Six-200 lumen LEDs that produce daylight-like visibility in a broad area
- TIR Lens for efficiently distributed lighting
- Bi-Voltage System for 12 volt and 24 volt sytems
- Vibration, dust, corrosion and moisture resitant
- Overvoltage protection to prevent voltage spike damage
- Spacer designed for extended installation and housing of wired



Gasket



Spacer/Wire Guide

Part Number	Product Description	Voltage (V)	Amperage (A)
64M11-5 <b>NEW</b>	Grote Entrance Lamp Assembly Spacer/Wire Guide/ Gasket	12/24	1.5@12V/.75@24V

Materials	Ratings and Compliances	Ingress Protection	Electronic Characteristics
Optics Lens Optics: Total Internal Reflection	Light Engine: LED Lumens: 1200 Instant On	IP69K	12/24 Volts, 1.5/0.75 Amps 18 Watts, Overvoltage

Materials	Ratings and Compliances	Ingress Protection
Polycarbonate Lens Cast Aluminum Housing Weight: 16 oz.	FMVSS 108 14.5.1. (Vibration) FMVSS 108 14.5.3. (Dust) FMVSS 108 14.5.4. (Corrosion) SAE 2139 4.2.2 (Submersion) SAE J1455 4.2 (Humidity/Temperature)	IP69K

# Task Lighting

Éclairage direct    Luces de trabajo

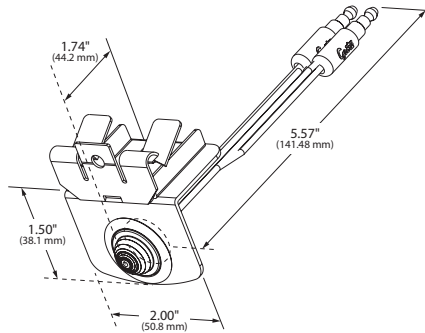
## GROTE LED KING PIN LIGHT



Grote's King Pin Lamp helps increase driver safety by illuminating the king pin / 5th wheel area.

### FEATURES & BENEFITS

- Aids in visual verification of engagement (CSA inspection requirement)
- Retro-fits to most tractor frames easily (.125" to .25")
- Places light to aid locking the 5th wheel via the tractor King Pin
- Helps prevent "high hitches" and dropped trailers
- A permanent solution
- Designed to work on Converter Dollies and trucks
- Swivel bracket allows lamp to be "aimed" and then locked into place



Part Number	Product Description	Quantity
60841	Grote King Pin Light Kit (Aftermarket)	12 Per Box
60841-3	Grote King Pin Light Kit (Bulk)	25 Per Box

Materials	Light Engine	Electronic Characteristics
Lamp: Acrylic/PVC Bracket: Powdered Coated Steel	LED	Voltage/Amp 12 V/0.5A Negative Transient Protection