

# 4" Round LED S/T/T with Integrated Back-up Lamp

Data Sheet

STOP/TAIL/TURN LIGHTING



## PRODUCT SPECIFICATIONS

### MATERIALS

Lens: Red/Clear Polycarbonate

Housing: Black Polycarbonate/ABS blend

Assembly: Laser Weld

Connection Types: Standard 4-Pin Hard Shell

### FMVSS

FMVSS 108: I, S, T, R2, P2

### INGRESS PROTECTION

IP67 compliant for dust and water

### VOLTAGE

Voltage: 14 Volts Design Current

Current Draw: ( $\pm 15\%$ ) @ 14V

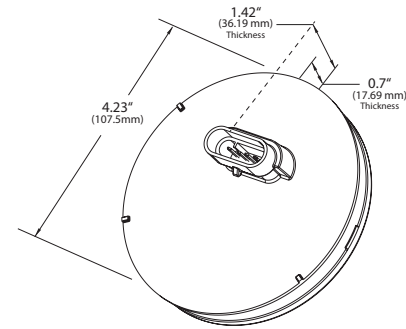
Stop: Range 80mA - 185mA

Tail: Range 19mA - 22mA

Back-Up: 306mA

### MATING CONNECTORS

AMP SuperSeal 282088-1



## Four Functions in One Lamp

- Innovative patented design combines all Stop/Tail/Turn and Back-up functions into one industry standard size lamp.
- Two-lamps-in-one design eliminates two holes and two lamps in rear of straight, vocational, and specialized vehicles.
- This design can also replace one or two back-up lamps in power modules.
- Lamp design saves time and money on installation, eliminates potential leaks in vehicle, improves structural integrity and corrosion resistance, and leaves more room for other controls, such as for lift gates and grab rails.
- A new robust design for consistent compliance utilizing dedicated LEDs for Stop and Tail.
- Designed to meet electrical specifications of all major Class 8 truck manufacturers.
- Provides high level electrical protection for: reverse voltage, over voltage, electrical transients, and overheating.
- LED Technology reduces maintenance cost and extends lamp life.
- Industry-standard design fits most existing mounting grommets, brackets, and flanges.
- Thin profile design minimizes chance of external impact damage.
- Reduces inventory, SKUs, and carrying costs.
- Meets FMVSS legal requirements for Stop, Tail, Turn and Reverse.
- Standard 4-Pin Hard Shell connector.

2600 Lanier Drive, Madison, Indiana U.S.A. 47250-0550

U.S. **800.628.0809** Canada **800.268.5612**

Europe **+49 9962/20008-0** Mexico **011 (52) 81-8262-4400**

GLB2015-126

[grote.com](http://grote.com)

**Grote**

# 4" Round LED S/T/T with Integrated Back-up Lamp

Data Sheet

STOP/TAIL/TURN LIGHTING



4 Pin Connector



Pigtail 66865



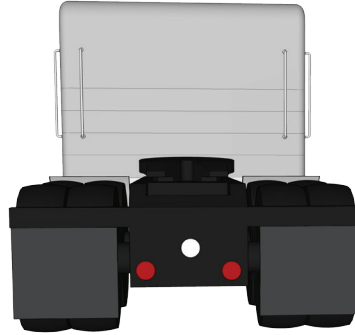
Pigtail 66863



Pigtail 66864



Mating harness



### Standard Lamps

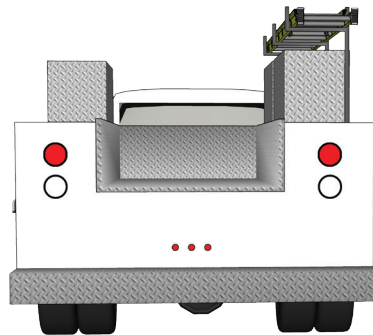
3 Lamps  
4 Functions  
3 or 4 Holes in the Power Module or Body



### Grote's New Integrated Lamp

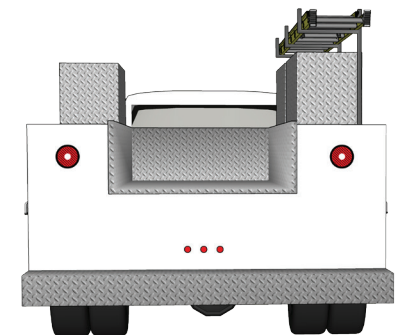
2 Lamps  
4 Functions  
2 Holes in the Power Module or Body

**Better Cost  
Less Inventory  
Less Maintenance**



### Standard Lamps

4 Lamps  
4 Functions  
4 Holes in the Body



### Grote's New Integrated Lamp

2 Lamps  
4 Functions  
2 Holes in the Body

**Better Cost  
Less Inventory  
Less Maintenance**

GROTE PART NUMBER	DESCRIPTION	CONNECTIVITY	VOLTAGE	CASE QUANTITY
55162	S/T/T w/ Integrated Back-up	AMP Termination	12 volt	16
55202	w/ Stainless Steel Flange	AMP Termination	12 Volt	16
66863	Pigtail	Male Pin		12
66864	Pigtail	Female Pin		12
66865	Pigtail	Hard Shell		12

2600 Lanier Drive, Madison, Indiana U.S.A. 47250-0550

U.S. 800.628.0809 Canada 800.268.5612

Europe +49 9962/20008-0 Mexico 011 (52) 81-8262-4400

[grote.com](http://grote.com)