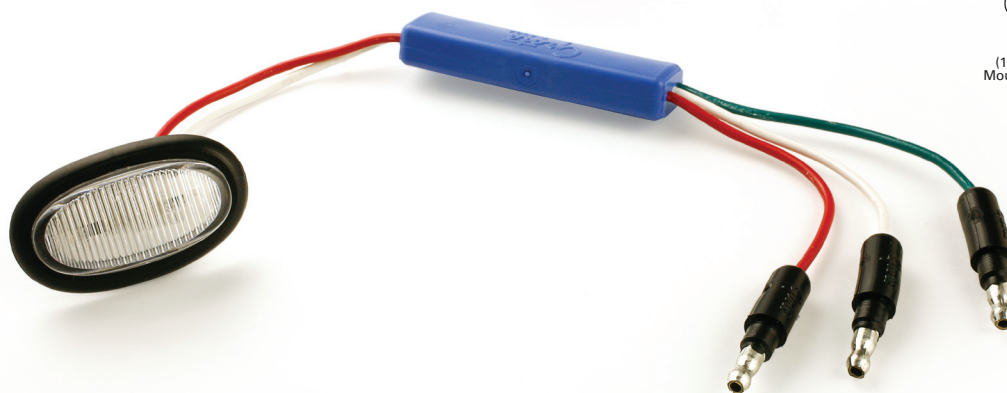


MicroNova[®] Red/Green Indicator Lamp

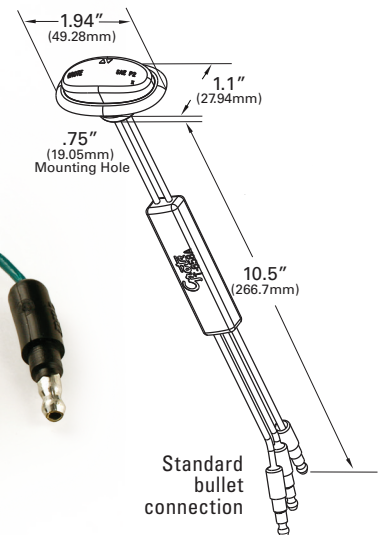
Product Information Sheet

CLEARANCE / MARKER LAMPS



PRODUCT SPECIFICATIONS

MATERIAL: POLYCARBONATE
FINISH: CLEAR
VOLTAGE AMP: 12V / .05A
BRACKET: 42110, 42112, 42120



High Intensity Light Output of the Green/Red LEDs Makes it Much Easier to See in Bright Light Conditions

- Unique dual color switching circuitry over-molded on the pigtail with Bullet Connectors
- Small size fits in narrow applications
- Hermetic lens-to-housing seal
- Encapsulant potting for total circuit board protection against vibration and corrosion
- Sleek aerodynamic styling
- Low profile makes lamps less susceptible to damage
- Grommet mount version has no exposed fasteners
- Designed to withstand severe environmental conditions

Part Number	Light Source	Operating Voltage	Amperage	Interchange
49460 – Red/Green Indicator Lamp w/ Clear Lens	LED	12V	.05A	NA

2600 Lanier Drive, Madison, Indiana U.S.A. 47250-0550
U.S. **800.628.0809** Canada **800.268.5612**
Europe **+49 9962/20008-0** Mexico **011 (52) 81-8262-4400**

grote.com

