

NEW PRODUCT GUIDE



THE GROTE
PERFORMANCE™
ADVANTAGE

Grote

The first name in
vehicle safety systems®





THE GROTE **PERFORMANCE**[™] ADVANTAGE

The **People**, The **Products** And The **Programs** That
Give You The Competitive Edge

Grote People:

From our international offices, to our factory floors, to our sales and distribution teams and beyond, a unique spirit of service, professionalism and competitiveness courses through our culture at Grote. In short, Grote people perform, and the innovative product and program advantages this provides, means that doing business with Grote is a positive experience for you – an experience that is as reliable today as it was yesterday; and as it will be tomorrow.

Grote Products:

Grote engineers light to optimize operational and human performance. Grote's insight, innovation and intelligent engineering, create robust, high-performance lighting solutions that help end-users remain more profitable, by optimizing their workforce productivity. Grote's ergonomic lighting solutions are truly engineered to meet the specifications of unique environments, optimizing the lighting conditions specifically for the tasks to be performed within them. The result is a safer, happier, better performing workforce that brings higher profits to the bottom line through superior productivity. Grote offers not only advanced LED lighting technology, but also fully integrated systems, from nose box to harness, to modular wiring, to interior and exterior lamps and accessories. On tractors or trailers, inside or out, Grote products perform.

Grote Programs:

Our programs are designed to help you perform better. By being actively engaged in understanding your goals, objectives and strategies, we are committed to designing programs that deliver value as you define it. At Grote, it's not enough to simply understand and respond to your needs. We go beyond, by wrapping exceptional programming around innovative products, competitive pricing, unsurpassed quality and personalized service. Grote also focuses on meeting your unique needs and expectations, by helping you with logistical improvements, merchandising and marketing needs, as well as providing technical and vocational training and by managing sensible inventory levels. The Grote Performance Advantage is a higher value-to-price ratio than other competitive offerings, when our customers consider our people, our products, our programs and the competitive edge these bring to their businesses.

THE GROTE PERFORMANCE™ ADVANTAGE

Index

SIGNAL LIGHTING..... 4-13

WARNING AND HAZARD26-31

INTERIOR LIGHTING..... 14-19

LICENSE AND AUXILIARY32-35

FORWARD LIGHTING 20-25

MISC/OTHER36-43

Model Number Index

| | | | | |
|----------------|----------------|----------------|----------------|----------------|
| 02421-4.....42 | 53843.....6 | 61871.....17 | 69681.....38 | G1032-5.....43 |
| 03E21.....24 | 53853.....6 | 61921.....17 | 76552.....30 | G1033-5.....43 |
| 03F21.....24 | 53883.....7 | 61931.....17 | 76553.....30 | G1042.....10 |
| 03G21.....24 | 54102.....42 | 61961.....17 | 76554.....30 | G1043.....10 |
| 42103.....42 | 54132.....8 | 61971.....16 | 76983.....28 | G1052.....10 |
| 42110.....42 | 54133.....8 | 61981.....18 | 76993.....28 | G1053.....10 |
| 42131.....42 | 54142.....8 | 61991.....17 | 77583.....27 | G1082-5.....43 |
| 42160.....40 | 54143.....8 | 62051.....33 | 77593.....27 | G1083-5.....43 |
| 42162.....40 | 54152.....8 | 62061.....33 | 77763.....30 | G1502-5.....43 |
| 42170.....42 | 54153.....8 | 62091.....33 | 77773.....29 | G1503-5.....43 |
| 42172.....42 | 54162.....8 | 62101.....33 | 77853.....27 | G3002-5.....43 |
| 42173.....42 | 54163.....8 | 62111.....34 | 77863.....27 | G3003-5.....43 |
| 42180.....40 | 54172.....8 | 62451.....42 | 77873.....28 | G3092-5.....43 |
| 42192.....42 | 54173.....8 | 62561.....34 | 77912.....31 | G3093-5.....43 |
| 42193.....42 | 54332.....7 | 62691.....33 | 77913.....31 | G4022.....11 |
| 43004.....41 | 54333.....7 | 62701.....33 | 78473.....29 | G4023.....11 |
| 43430-5.....43 | 54342.....7 | 62720.....42 | 78593.....42 | G4502-5.....43 |
| 43962.....40 | 54343.....7 | 63551.....25 | 87140.....37 | G4503-5.....43 |
| 44110.....42 | 54362.....7 | 63561.....25 | 91740-5.....43 | G4612.....11 |
| 44360.....42 | 54363.....7 | 63571.....22 | 92420-5.....43 | G4613.....11 |
| 44380.....42 | 60551-5.....39 | 63581.....22 | 92513-5.....43 | G5052-5.....43 |
| 46132.....5 | 60561.....18 | 63591.....22 | 93351.....42 | G5202.....13 |
| 46133.....5 | 60571.....35 | 63601.....24 | 93603.....42 | G5212.....13 |
| 46142.....5 | 60581.....19 | 63611.....24 | 93850.....42 | G5300.....9 |
| 46143.....5 | 60591.....19 | 63621.....24 | 93950.....42 | G5530.....9 |
| 48010.....42 | 60601.....35 | 64901.....25 | 93960.....42 | G5540.....9 |
| 48402.....42 | 61121.....19 | 65720-5.....12 | 93982.....41 | G6002-5.....43 |
| 48562.....38 | 61131.....19 | 65730-5.....12 | 94233.....42 | G6003-5.....43 |
| 48563.....38 | 61171.....16 | 66860.....37 | 94540.....41 | G6012.....11 |
| 49252.....6 | 61191.....16 | 66843-5.....43 | 99250.....42 | G6013.....11 |
| 49253.....6 | 61261.....15 | 67001-5.....43 | 98001-5.....38 | |
| 52093.....42 | 61361.....16 | 67050-5.....43 | G1002-5.....43 | |
| 53833.....6 | 61861.....17 | 67090-5.....43 | G1003-5.....43 | |

Leading Performance

At the forefront of vehicle safety lighting since its invention, Grote is now signaling a new direction in lighting performance with advanced high-output LED lighting. This lighting line of vehicle clearance, turn signal, stop/tail/turn combinations, box lamps and towing light kits, feature Grote's revolutionary technology that provides the brightest light available in LEDs, along with the exceptional durability and the reliability customers have come to expect. All this is reflected in less downtime for repairs, increased vehicle visibility and lower operating costs. This makes for happier and safer drivers, whether they're piloting a rig or sharing the road with other motorists. And that, in turn, makes for better productivity and performance.

Whatever you need for performance in LED vehicle marker lighting, Grote's got it!

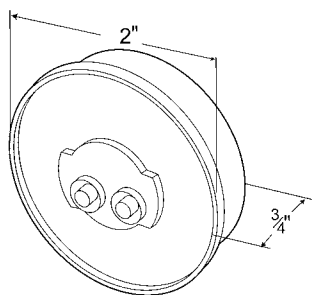


SuperNova™ 2" PC Rated Clearance Marker LED Lamp

46132 - Red
46133 - Yellow

This rugged, 2", PC rated, clearance marker lamp provides the visibility required for demanding trailer applications in a compact package.

- Hermetic lens to housing seal and specially formulated encapsulent potting that protects against moisture, vibration and corrosion
- Advanced optics provide required light patterns that meets SAE PC requirements for visibility when mounted on a 45° angle
- Uses the same UBS double seal pigtail as the incandescent version for a quick Plug-and-Go™ retrofit
- Fits all popular mountings and grommets



TECHNICAL SPECIFICATIONS

Material: Polycarbonate
 FMVSS: P2, P3, PC
 Finish: Red/Yellow
 Voltage Amp: 12V - .06A
 Bracket: 43690, 49140, 43150, 43152, 43153, 43532, 42190, 42192, 43193
 Grommet: 92120, 92150, 93760
 Pigtail: 67050, 67001, 66851, 66850, 66800, 66840

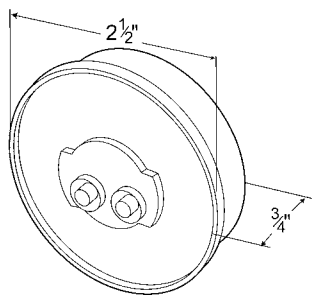


SuperNova™ 2 1/2" PC Rated Clearance Marker LED Lamp

46142 - Red
46143 - Yellow

These PC lamps provide the light you want in the pattern you need with a termination that makes installation easy.

- Hermetic lens to housing seal and specially formulated encapsulent potting that protects against moisture, vibration and corrosion
- Advanced optics design provide required light
- Light pattern meets SAE PC requirements for visibility when mounted at a 45° angle
- Uses the same UBS® double seal pigtail as the incandescent version for a quick Plug-and-Go™ retrofit
- Fits all popular mountings and grommets



TECHNICAL SPECIFICATIONS

Material: Polycarbonate
 FMVSS: P2, P3, PC
 Finish: Red/Yellow
 Voltage Amp: 12V - .06A
 Bracket: 443960, 43512, 43522, 43760, 43160, 43162, 43163, 42170, 42172, 42173
 Grommet: 91880, 91890, 91410, 92070, 92920, 93750
 Pigtail: 66851, 66850, 67001, 66800, 66840

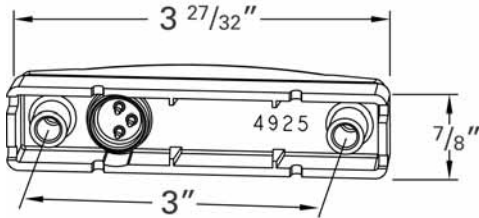


Thin Line 3" Center Dual Function **LED** Clearance/Marker

49252 - Red
49253 - Yellow

The brightest and longest lasting LEDs on the market. Low amp draw and high visibility makes these advanced, compact LEDs ideal for auxiliary high mounting situations.

- Multifunction lamp for improved safety
- Compact size for narrow top rail applications
- Lamp functions as a marker, clearance, identification and supplemental high mount stop or turn lamp
- Long-life lamp features replaceable lens and specially formulated encapsulant potting that protects against moisture, vibration and corrosion
- 3" mounting center with field replaceable lens
- Wire exit holes at each end allow for flow-through harnessing
- Uses Grote's male pin double seal connector technology



TECHNICAL SPECIFICATIONS

Material: Polycarbonate
 FMVSS: P2, U
 Finish: Red/Yellow
 Voltage Amp: 14V - .02A / .06A
 Pigtail: 66870
 Lens: 92942, 92943

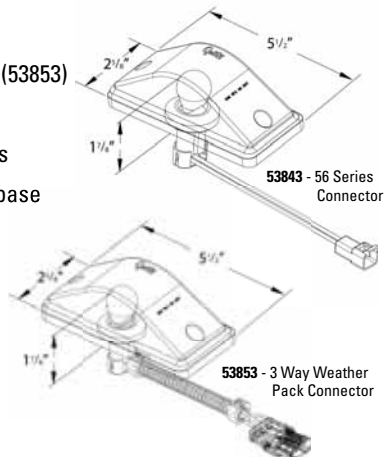
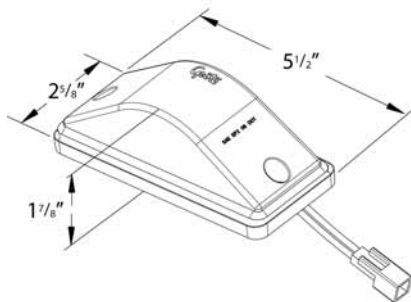


OEM Style Side Turn Lamp

53833 - Metri-Pack® Connector
53843 - 56 Series Connector
53853 - 3 Way Weather Pack Connector

For right or left applications, this lamp is great for buses, trailers and truck use.

- Surface mount style lamp
- Combination side turn and marker lamp (53853)
- 4.54" mounting holes
- Replaces Peterson® PM343 series lamps
- Lens hermetically sealed (53833) to the base



TECHNICAL SPECIFICATIONS

Material: Polycarbonate
 FMVSS: 53853, E, P2 / 53833, 53843, E
 Finish: Yellow
 Bulb: 53833- #3156, 26 Watts
 Voltage Amp: 12.8V - 2.1AMP
 Bulb: 53843/53853- #3157, 26/8 Watts
 Voltage Amp: 12.8/14.0V - 2.1/.59AMP

7" LED Arrow Lens Turn Lamp

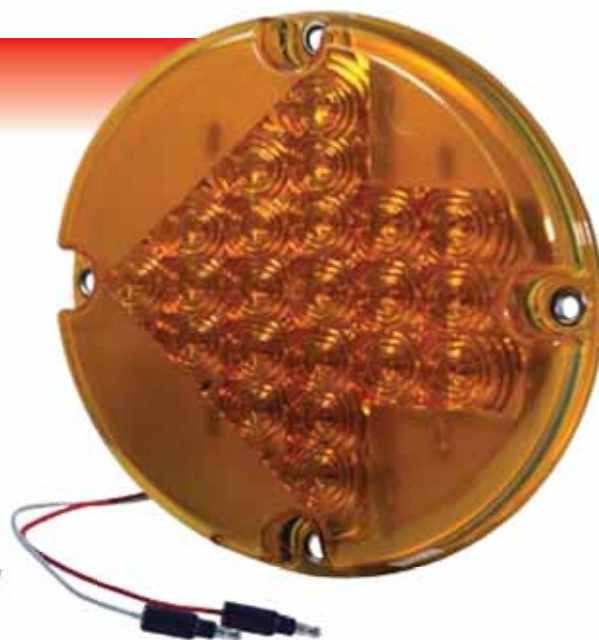
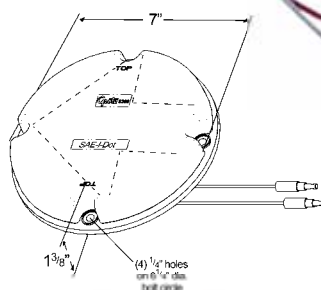
53883 - Yellow

A brighter amber arrow pattern signal lamp, developed with advanced LED technology. Perfect for any application where maximum visibility and dependability are a must.

- Large arrow pattern makes it easier for road traffic to identify turning vehicles
- Meets FMVSS 108 Front and Rear Turn requirements
- Auxiliary for mid-turn and/or wide turn indications
- Surface mount for easy installation
- UV coated lens prevents weathering from the elements

TECHNICAL SPECIFICATIONS

Material: Polycarbonate
 FMVSS: I
 Finish: Yellow
 Voltage Amp: 12V - .327A
 Accessory:
 Mounting Pad: 99410
 Bracket: 93982



4" LED Stop/Tail/Turn Lamp

SuperNova™

- 54332 - Red, Male Pin
- 54333 - Yellow, Male Pin
- 54362 - Red, Hard Shell
- 54363 - Yellow, Hard Shell

G-Select™

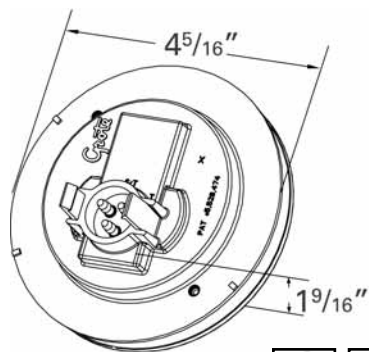
- 54342 - Red, Female Pin
- 54343 - Yellow, Female Pin

New optic design provides cost effective solution for popular OE and aftermarket termination styles.

- Latest LED technology
- Surface mount electronics for cost effective reliability
- Fully encapsulated circuitry provides protection from the elements
- Fits all Grote bracket and grommet mounting options
- Hermetic lens to housing seal prevents moisture intrusion

TECHNICAL SPECIFICATIONS

Material: Polycarbonate/Acrylic
 FMVSS: S/T/T - I, P2, S, T - Auxiliary - P2
 Finish: White/Red/Yellow
 Voltage Amp: Red - 12V - .24A (I,S)/.03A (T)
 Bracket: 93552, 43253, 92510, 92511, 92512, 92513, 43572, 43642, 43655, 43732, 93190, 93550, 93553, 93683, 51090
 Grommet: 91740, 91950
 Pigtail: 67000, 67090, 66811, 66812, 66843, 66844, 66825, 66841, 66845, 66861,



SuperNova™ Oval LED Stop/Tail/Turn Lamp

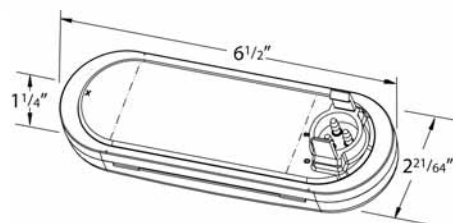
- 54132 - Red, Male Pin
- 54133 - Yellow, Male Pin
- 54142 - Red, Hard Shell
- 54143 - Yellow, Hard Shell

High-visibility optics combined with high-output LED's result in a high-performing stop, tail and turn lamp that fits your needs.

- Available in Grote OEM style male pin and hard shell termination options
- Specially formulated encapsulant potting that protects against moisture, vibration and corrosion
- Fits current mounting flanges and grommets

TECHNICAL SPECIFICATIONS

Material: ABS/Acrylic
 FMVSS: I6, P, S, T, P2
 Finish: Red/Amber
 Voltage Amp: 13.5V - .02A (T)/.14A (I,S)
 Bracket: 43220, 43222, 43223, 43732, 99470, 43362, 43952, 43172, 43171, 43100, 42152
 Grommet: 92420, 92720, 67151
 Pigtail: 66816, 66845, 67005, 66830, 66836, 67006, 66841, 66861
 Chrome Bezel: 42153



LED Oval Stop/Tail/Turn Lamp

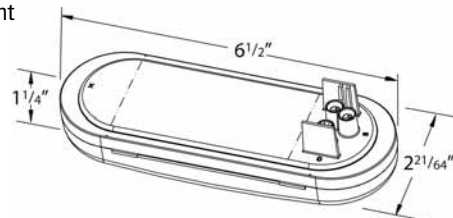
- SuperNova™
- 54162 - Red, Male Pin
- 54163 - Yellow, Male Pin
- G-Select™
- 54152 - Red, Hard Wire
- 54153 - Yellow, Hard Wire
- 54172 - Red, Standard Female
- 54173 - Yellow, Standard Female

The perfect cost-effective LED lamp for original equipment installations and retrofitting configurations. Advanced LED technology ensures that this lamp is the brightest and toughest available.

- Available in both OE and aftermarket style termination for easy retrofit or replacement
- Specially formulated encapsulant potting that protects against moisture, vibration and corrosion
- Fits current mounting flanges and grommets

TECHNICAL SPECIFICATIONS

Material: ABS/Acrylic
 FMVSS: I6, P, S, T, P2
 Finish: Red/Amber
 Voltage Amp: Red - 12V - .48A (I,S)/.04(P2,T) - Yellow - 12V - .71A(I)
 Bracket: 43220, 43222, 43223, 43723, 99470, 43362, 43952, 43172, 43171, 43100, 42152, 42153
 Grommet: 92420, 92720, 67151
 Pigtail: 66815, 66841, 67002, 66816, 66845, 67005, 66830, 66836, 67006



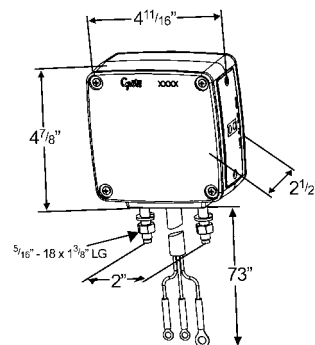


Hi Count® LED Two-Stud Lamp with Side Marker

G5530 - Red & Yellow, LH
G5540 - Red & Yellow, RH

For right or left applications, this lamp is great for buses, trailers and truck use. Advanced LED technology makes this visible lamp ideal for everyday applications.

- Attractive multiple diode design
- 2-stud mounting bolts
- Replacement for popular tractor models with fender mounted lamps
- 25 diodes on either front or back with two diodes in the side marker
- Attached three-wire harness



TECHNICAL SPECIFICATIONS
 Material: Polycarbonate/Die Cast
 FMVSS: I, T, P, P2
 Finish: Red/Amber
 Voltage Amp: 12V - .775A (I)/.038A (P2/T)

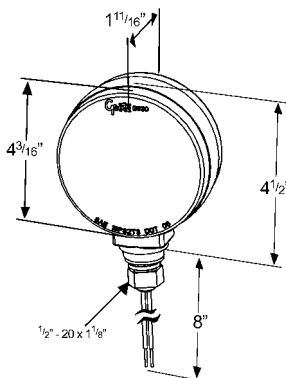
Hi Count® LED Double Face Lamp

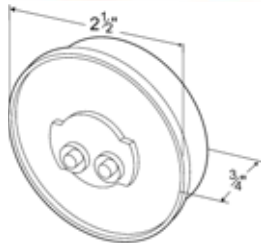
G5300 - Red & Yellow

For right or left applications, this lamp is great for buses, trailers and truck use. Advanced LED technology makes this visible lamp ideal for everyday applications.

- Attractive multiple diode design
- Heavy duty housing with hardwired terminations for variable wiring options
- 17 diodes on either side, two wire double contact installation

TECHNICAL SPECIFICATIONS
 Material: Polycarbonate/Die Cast
 FMVSS: I, T
 Finish: Chrome, Red/Amber
 Voltage Amp: 12V - .77A (I)/.038(T)





2 1/2" Classic Hi Count® LED Lamp

G1042 - Red, Clear Lens

G1043 - Yellow, Clear Lens

Ultra stylish clear lens with multiple red or yellow LEDs for added appeal and visibility.

- Hermetic lens-to-housing seal
- Uses the same UBS® double seal pigtail as the incandescent version for a quick Plug-and-Go® retrofit
- Twist-on mounting for easy installation
- Concentric, multiple diode layout
- Fits all popular mountings and grommets

TECHNICAL SPECIFICATIONS

Material: Polycarbonate/Acrylic

FMVSS: P2

Finish: Clear/White

Voltage Amp: 12V - .15 A

Bracket: 43690, 43160, 43162, 43512, 43163, 43522, 49140, 93750, 42170, 42172, 42173

Grommet: 91400, 91410, 91880, 91890

Pigtail: 67050, 67001, 66851, 66850, 66800, 66840

2 1/2" Hi Count® LED Lamp

G1052 - Red, Clear Lens

G1053 - Yellow, Clear Lens

High-output LED lamp with a hermetically sealed clear lens and multiple red or yellow LEDs.

- Hermetic lens-to-housing seal
- Uses the same UBS® double seal pigtail as the incandescent version for a quick Plug-and-Go® retrofit
- Twist-on mounting for easy installation
- Concentric, multiple diode layout
- Fits all popular mountings and grommets

TECHNICAL SPECIFICATIONS

Material: Polycarbonate/Acrylic

FMVSS: P2

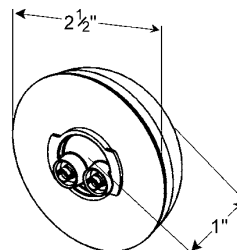
Finish: Clear/White

Voltage Amp: 12V - .09A

Bracket: 43690, 43160, 43162, 43163, 43152, 43522, 49140, 93750, 42170, 42172, 42173

Grommet: 91400, 91410, 91880, 91890, 93760

Pigtail: 67050, 67001, 66851, 66850, 66800, 66840



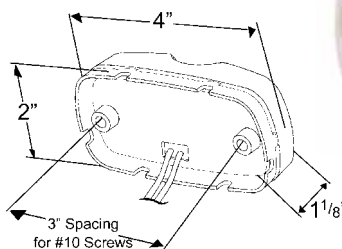
Square Corner, Hi Count® LED Lamp

G4612 - Red, Clear Lens
G4613 - Yellow, Clear Lens

High impact field replaceable clear lens with red or yellow LEDs.

- Molded snap-ring for easy installation
- Specially formulated encapsulent potting that protects against moisture, vibration and corrosion

TECHNICAL SPECIFICATIONS
 Material: Polycarbonate/Acrylic
 FMVSS: P2
 Finish: Clear/White
 Voltage Amp: 12V - .15A
 Bracket: 43144, 43673
 Lens: 91961



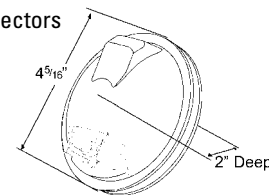
4" Hi Count® LED Stop/Tail/Turn Lamp

G4022 - Red, Clear Lens
G4023 - Yellow, Clear Lens

Brilliant clear lens option for stop, tail and turn that fits all popular 4" round lamp mounting and grommets.

- Female pin termination accepts all popular PL3 plug-in connectors
- Concentric, high count diode design

TECHNICAL SPECIFICATIONS
 Material: Polycarbonate/Acrylic
 FMVSS: Red - I, P2, S, T - Yellow - I
 Finish: Clear/White
 Voltage Amp: Red - 12V - .48A (I,S)/.04A (P2,T) - Yellow - 12V - .71A (I)
 Bracket: 43572, 43253, 92510, 92512, 92513, 43732, 43642, 43655
 Grommet: 91740, 91950, 93550, 93552, 93553
 Pigtail: 67000, 67090, 66811, 66812, 66843, 66844, 66825,



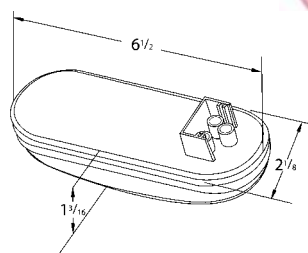
Oval Hi Count® LED Stop/Tail/Turn Lamp

G6012 - Red, Clear Lens
G6013 - Yellow, Clear Lens

Clear lens provides a spectacular look.

- Lower amp draw of LEDs allows for use of more lamps without draining vehicle power
- Female pin terminations accept all popular plug-in connectors
- Fits same connections as female incandescent lamps

TECHNICAL SPECIFICATIONS
 Material: Polycarbonate/Acrylic
 FMVSS: I,S,T
 Finish: Clear/White
 Voltage Amp: 12V - .43A (I,S)/.05A (T)
 Grommet: 92420, 92720
 Pigtail: 67090, 66811, 66812, 66843, 66844, 66825



LED Towing Light Kit

65720-5 - Red

A complete kit for trouble-free, dependable towing, featuring Grote's high-performance LED technology. Magnetic bases enable optimum positioning for best visibility.

- Complete kit includes lamps, harness and hook-up connectors
- Kit specifications include truck harness and 20-foot connecting harness
- Plugs into a standard, flat, four-way vehicle trailer light connector

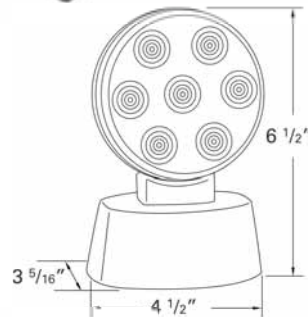
TECHNICAL SPECIFICATIONS

Material: Polycarbonate, ABS, Acrylic

FMVSS: I, P2, S, T

Finish: Black

Voltage Amp: 12V - .25A (I, S) / .04A (P2, T)



Towing Light Kit

65730-5 - Red

A complete, worry-free, dependable towing kit featuring incandescent lamps with magnetic mountings and plenty of cable, for ideal placement in a variety of application options.

- Complete kit includes harness, lamp and hook-up connectors
- Kit specifications include truck harness and 20-foot connecting harness
- Plugs into a standard, flat, four-way vehicle trailer light connector
- Replaceable lens and bulb

TECHNICAL SPECIFICATIONS

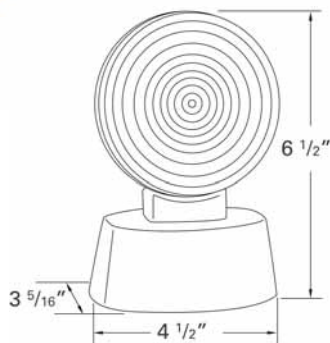
Material: Polycarbonate, ABS, Acrylic

FMVSS: I, P2, S, T

Finish: Black

Bulb: (2) 32 C.P., #1157

Voltage Amp: 12V - 2.1A (I, S) / .59A (P2, T)





Hi Count® LED Box Lamp

G5202 - Red, RH, w/ Side Marker

G5212 - Red, LH w/ Side Marker & License Window

The perfect LED lamp for most box lamp applications. Functions include stop/tail/turn, back-up and license lamp.

- All functions utilize LED technology
- Concentric multiple diode design
- Gasket between lens and housing protects against moisture intrusion
- Specially formulated encapsulant potting that protects against moisture, vibration and corrosion
- Features circuit board protection that is compatible with the existing flasher technology and is a direct replacement for Jeep® Wrangler® lamps through 2006
- 3-stud mounting design incorporates ground function
- Contains 16 S/T/T diodes, 22 back-up diodes, 2 side marker diodes and 4 license diodes on the license window version

TECHNICAL SPECIFICATIONS

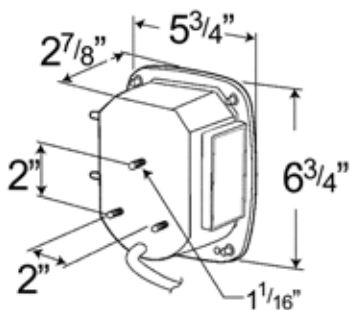
Material: Polycarbonate/Acrylic

FMVSS: RH - A, I, R2, S, T LH - A, I, L, R2, S, T

Finish: Black

Voltage Amp: LH w/ Side marker - 12V - .2A (I,S)/.34A (R2)/.39A (T,L)

Voltage Amp: RH w/ Side marker - 12V - .2A (I,S)/.34A (R2)/.06A (T)



Chilling Performance



LED WhiteLight™ Dome Lights with solid-state technology and acrylic lenses are designed to work in extreme temperatures, delivering you extreme ROI.

Poor visibility increases the potential for mistakes, fatigue and lowers productivity. Grote engineers LED WhiteLight™ technology into interior lamps, dome and courtesy lights—outshining its conventional counterparts in every way. Grote’s LED WhiteLight™ emit brighter, more even light that outlasts other forms of lighting. Plus, they function flawlessly in a wide range of temperature conditions, so they are perfect for reefers or hot, insulated, sealed trailers. They are designed to be installed in any interior configuration and reduce operating costs over the life of the vehicle or trailer.

Turn on Grote LED WhiteLight™ interior lighting and see what you’ve been missing!

SuperNova™ Recessed-Mount LED Hi-Output Dome Lamp



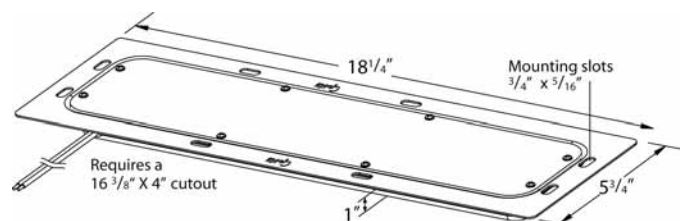
61261 - Clear

Grote’s LED WhiteLight™ technology offers superior illumination for recessed areas where reliable light is needed.

- Specially formulated encapsulent potting that protects against moisture, vibration and corrosion
- Robust, one-piece, aluminum housing and removable acrylic lens
- Built-in, automatic thermal protection device
- Operating temperatures -40° to +148°F

TECHNICAL SPECIFICATIONS

Material: Aluminum/Acrylic
Finish: White
Voltage Amp: 12 V - 1.75 A
Lens: 96421



INTERIOR LIGHTING

7" Round **LED** WhiteLight™ with Dimming function

61191 - Clear

High-output LED WhiteLight™ technology for interiors, with the capability for switching to a dimming mode.

- High output white LED dome lamp with 3 wires for switching to dimming mode
- Specially formulated encapsulent potting that protects against moisture, vibration and corrosion
- Designed to operate in extreme cold temperatures of up to -40°
- Shallow recess requires only 1 1/4" depth for mounting pan
- Commonly used in ambulance applications
- Self-resetting cutoff device in case lamp experiences excess heat
- Proper mounting will meet requirements of GSA KKK-1822

TECHNICAL SPECIFICATIONS

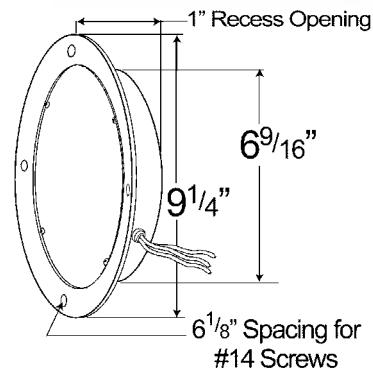
Material: Powder Coated Steel/High Impact Acrylic

Finish: White

Voltage Amp: 14V - 2.8 A, .7 Amps when dimming

Accessory:

Mounting Pan: 43744



61171 profile is less than 1 1/4"

4" **LED** WhiteLight™ Dome Lamp

61971 - Lamp

61361 - Lamp with molded PL3 plug

61171 - Lamp with switchable surface mount bracket

Low-profile, LED WhiteLight™ dome lamp features an enhanced light pattern for optimal illumination in any vehicle interior application.

- Enhanced light pattern for better working environment
- Multiple mounting configurations provide varied usage opportunities
- Fits competitive brackets, grommets, and pigtails
- Lower power consumption and less heat output compared to incandescent
- Rated to 50,000 hours

TECHNICAL SPECIFICATIONS

Material: Polycarbonate

Finish: Clear

Voltage Amp: 13.5 V - .6 A

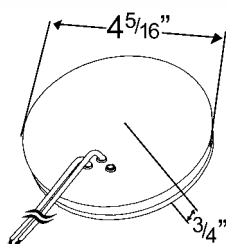
Bracket: 43343, 92510, 92512, 92513, 43253, 94540

Grommet: 91740, 91950

Pigtail: 66842, 67013, 67016, 66846



Shown here with a PL3 adaptor plug



Rectangular Courtesy **LED** Dome Lamp

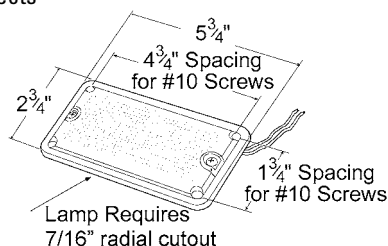
- 61961** - 3-diode lamp, 10-16 V
- 61991** - 6-diode lamp, 10-16 V
- 61861** - 3-diode lamp, 10-30 V
- 61871** - 6-diode lamp, 10-30 V

High-output LED WhiteLight™ technology in a recessed mount courtesy lamp. Perfect retrofitting option for similar incandescent mounts. Switching to LEDs is easy and practical! Ideal for buses, RVs, trailers, or anywhere reliable lighting is needed.

- LED lamp is rated to 50,000 hours
- Fits existing, similar incandescent lamp mountings
- Low heat will not melt lens
- Specially formulated encapsulent potting that protects against moisture, vibration and corrosion

TECHNICAL SPECIFICATIONS

Material: Aluminum/Polycarbonate
 Finish: Gray
 Voltage Amp: 61991 - 14V - .48A
 Voltage Amp: 61961 - 14V - .24A
 Voltage Amp: 61861 - 9V - .6A, 30V - .155A
 Voltage Amp: 61871 - 9V - .342A, 30V - .094A
 Lens: Clear 90401



Standard Mount Rectangular Courtesy Dome Lamp **LED**

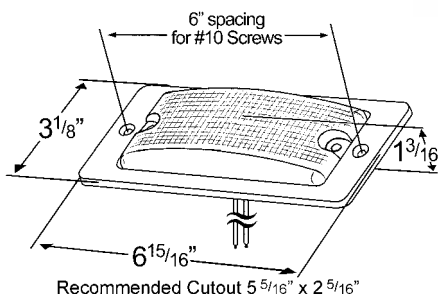
- 61921** - 3-diode lamp
- 61931** - 6-diode lamp

High-output dome lamp in rectangular standard mounting format. Fits in popular 2-hole mounting configurations, making installation a snap.

- Fits popular 2-hole bus mount applications
- Up to 50,000 hours of operation from high-intensity LEDs
- Low heat output for safer operation
- Specially formulated encapsulent potting that protects against moisture, vibration and corrosion

TECHNICAL SPECIFICATIONS

Material: Aluminum/Polycarbonate
 Finish: Gray
 Voltage Amp: 61921- 14V - .24A
 Voltage Amp: 61931- 14V - .48 A
 Lens: Clear: 90401



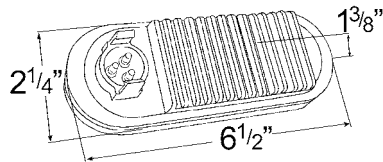


Oval **LED** Grommet Mount Lamp

61981 - Clear

A compact, high-output LED surface-mount lamp for use in hard-to-light vehicle interior areas, like under or inside cabinets, in corners, soffits, and more.

- Built to provide ample light for toolboxes, cabinets and other hard-to-light areas
- 8 LEDs provide valuable light output with low AMP draw
- Specially formulated encapsulent potting that protects against moisture, vibration and corrosion
- Male pin connection for use with Grote's UBS® sealed harness system
- Acrylic lens protects lamps in harsh environments



TECHNICAL SPECIFICATIONS

Material: ABS/Acrylic

Finish: Clear

Voltage Amp: 12V - .49A

Bracket: 43362, 43952, 43220, 43223, 43222, 43723

Grommet: 92420, 92720

Pigtail: 67002, 66841, 66815, 66816, 66845, 67005

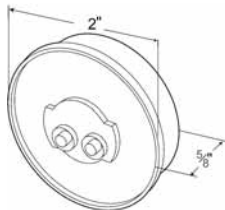


2" **LED** Interior Courtesy Lamp

60561 - Clear

Grote's LED WhiteLight™ technology applied to a small surface-mount lamp. A fantastic lamp for hard-to-illuminate areas.

- Built to provide ample light for toolboxes, cabinets and other hard-to-light areas
- Specially formulated encapsulent potting that protects against moisture, vibration and corrosion
- Meets requirements to be used as a license lamp



TECHNICAL SPECIFICATIONS

Material: Polycarbonate

FMVSS: L

Finish: Clear

Voltage Amp: 14V - .2A

Bracket: 43040, 42190, 43690, 49140, 43150, 43152, 43153, 43532

Grommet: 92120, 92150, 94100

Pigtail: 66851, 66850, 66840, 67001, 67050, 66801

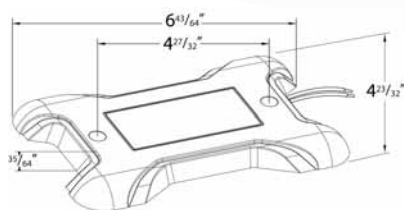


X-100 LED Dome Lamp

61121 - 12V
61131 - 24V

LED WhiteLight™ technology designed to be the most compact and versatile lamp available. Surface mount fits easily in almost any area that needs a broad, even light for maximum visibility.

- Thinnest surface mount LED lamp on the market
- Rated to 50,000 hours providing the best cost per lumen
- The instant-on nature of LED's means no warm up time and great operation in extreme temperatures
- Built in thermal protection device allows for wide temperature operation -40° C to 85° C
- Hermetically sealed lens for extreme durability
- Specially formulated encapsulent potting that protects against moisture, vibration and corrosion
- Fast versatile surface installation allows both ceiling or wall mounting with 2 screws



TECHNICAL SPECIFICATIONS

Material: Polycarbonate
 Finish: Clear
 Voltage Amp: 10-16V - 12V - .6A
 Voltage Amp: 18-30V - 24V - .3A

Slimlite Courtesy LED Lamp

60581 - Without switch
60591 - With switch

A low-profile, surface-mount strip lamp with great low amperage LEDs. Superior high-output illumination anywhere interior lighting is needed. Excellent for use under cabinets and in RVs, sleeper cabs, boats and buses.

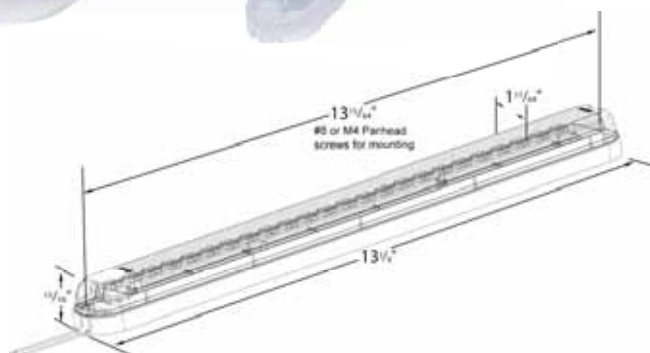
- Lamp features a low profile of less than one inch
- Low power consumption, high-efficiency lamp that creates little heat with good light output
- Excellent option for cabinet lighting and other internal uses

TECHNICAL SPECIFICATIONS

Material: Polycarbonate
 Finish: Clear
 Voltage Amp: 12V- .23 A



60591
 switchable
 surface mount
 courtesy lamp
 shown here



Brilliant Performance



When a job needs to be done but the lighting conditions are less than optimal, Grote is always there with forward-thinking lighting solutions to tackle the job—and do it safely. Providing a higher quality of light helps reduce human error, fatigue and downtime, with the obvious benefit of improving worker performance and safety.

Now, Grote's bright ideas have produced the Trilliant™ LED WhiteLight™ Work Lamp, the Per-Lux® LED WhiteLight™ Forward Lamp, and our round and rectangular rubber-housed utility lamps. All use Grote's innovative LED WhiteLight™ technology that produces a bright, even beam, with a color temperature and contrast closest to sunlight, reducing eye fatigue and optimizing job performance.

All of Grote's lamps are built tough to handle the most punishing work environments. Grote utilizes solid-state construction with specially formulated encapsulent potting that protects against moisture, vibration and corrosion. Grote continues to revolutionize LED WhiteLight™ technology, engineering ways to dissipate destructive heat that can reduce the quality of the light and shorten an LEDs life.

The switch is on ... to Grote LED WhiteLight™ innovation!

Trilliant™ LED High Output Work Lamp

63571 - Spot
63581 - Flood
63591 - Trapezoid

94580 - Spot Lens
94600 - Flood Lens
94590 - Trapezoid Lens

This hard-working, rugged, high-output lamp uses Grote's proven premier LED WhiteLight™ technology. The light output of Trilliant™ rivals HIDs, eclipses halogen competitors, and most closely replicates sunlight—the most optimal working condition. Three replaceable lens patterns are available, providing the optimal light pattern needed.

- Long-lasting, high-output LED WhiteLight work lamp
- Field tested in brutal off-road applications
- "Aim-N-Go" technology requires no tools for horizontal adjustments
- Beam pattern can be changed with optional replacement lens
- Bright LED light offers peak intensity of over 150,000 candela
- Replaceable hard-coated lens offers many years of service
- Easily mountable with a durable ½" stud mounting bracket
- Easy, durable adjustments help aim light where needed
- Available spot, trapezoid and flood patterns for application specific needs
- Color temperature provides a natural contrast most like sunlight, reducing eye fatigue and optimizing job performance
- Superior lamp for agriculture, ambulance, construction, emergency, fire, military, mining, off-road, and any general illumination for applications that require a durable lamp delivering a long life bright light that is low heat emitting



Factory OE lighting output.

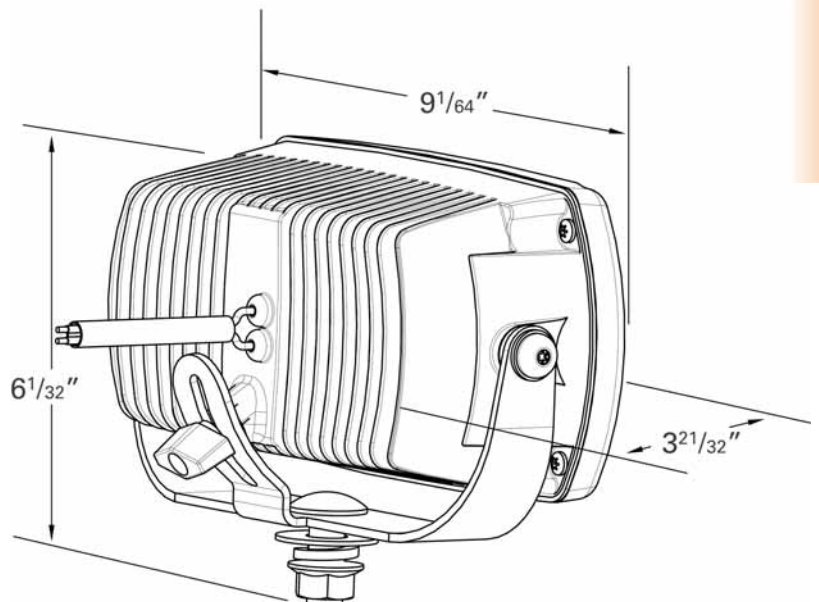


Same parameters used with 2 Trilliants™



TECHNICAL SPECIFICATIONS

Material: Powder-coated steel bracket, cast aluminum housing, polycarbonate Lens
Finish: Black (Other bezel colors and mounting configurations available upon special request)
Voltage Amp: 10V- 30V - 5.2A-1.5A



"Aim-N-Go" horizontal bracket system is under license from Baja Designs Inc.

LED WhiteLight™ Work Lamp

- 63601** - Spot
- 63611** - Flood
- 63621** - Trapezoid

An excellent work lamp for any instance where a high-output illumination source is needed. This low-power, long-lasting lamp has a naturally-balanced sunlight quality for reducing eye fatigue and optimizing job performance.

- 50,000 hour LED WhiteLight™ for long lasting, low power consumption service
- Greater Lumen output with lower power consumption than competitive models
- Polycarbonate hard-coated lens and durable rugged construction provides many years of service
- Versatile spot, trapezoid and flood patterns available for application specific needs
- "Sun like" color temperature provides a natural contrast, reducing eye fatigue and optimizing job performance
- Superior lamp for Utility, Mining, Military, Construction, Agriculture, Fire, Emergency, Fleet, Off-Road applications, Class 8 work lamps, Skid Loaders, Tow Motors and Tow Trucks

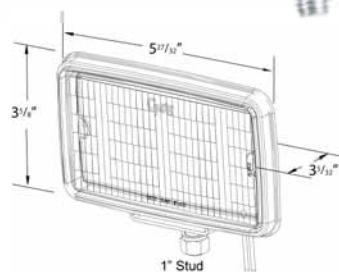
TECHNICAL SPECIFICATIONS

Material: Die Cast Housing, Polycarbonate Lens

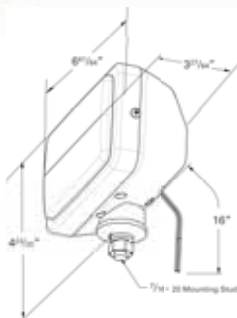
Finish: Black

Voltage Amp: 14V - .8A

Accessory: Magnetic Mount: 43300 Chrome



Above or below bumper applications



Per-Lux® LED Work Lamp

- 63641** - Spot
- 63651** - Flood
- 63661** - Trapezoid

Known for its quality and dependability, Per-Lux® is now available in a high performance LED work lamp. This low-power, long-lasting lamp has a naturally-balanced sunlight quality for reducing eye fatigue and optimizing job performance.

- Durable rugged housing with replaceable Per-Lux® rock/chip guard lens
- Heavy duty stainless steel Per-Lux® housing for all weather applications
- 50,000 hour LED WhiteLight™ for long lasting, low power consumption service
- Greater Lumen output with lower power consumption than competitive models
- Versatile spot, trapezoid and flood patterns available for application specific needs
- "Sun like" color temperature provides a natural contrast, reducing eye fatigue and optimizing job performance
- Superior dual mounting option lamp for Utility, Mining, Military, Construction, Agriculture, Fire, Emergency, Fleet, Off-Road applications, Class 8 work lamps, Skid Loaders, Tow Motors and Tow Trucks

TECHNICAL SPECIFICATIONS

Material: Stainless Housing, Glass Lens

Finish: Stainless

Voltage Amp: 14V - .8A

Accessory: Magnetic Mount: 43300 Chrome



Spot lens pattern pictured here

LED WhiteLight™ Rubber Utility Lamp

63551 - Flood

63561 - Spot

Grote's LED WhiteLight™ technology in a versatile, round form. Tough, durable rubber housing takes the knocks while the reliable LED diodes keep lighting your way for up to 50,000 hours! Perfect for utility vehicles on-road and off-road.

- Rugged, flexible, shock-absorbing, weatherproof housing with long-life LEDs makes this a very durable lamp
- Cost-effective lighting option is rated at 50,000 hours
- LEDs utilize lower amp draw putting less load on strained electrical systems
- Replaces standard Par 36 rubber work lamps
- Swivel mount
- Hardwired for easy integration into current wiring system

TECHNICAL SPECIFICATIONS

Material: Polycarbonate/Rubber

Finish: Black

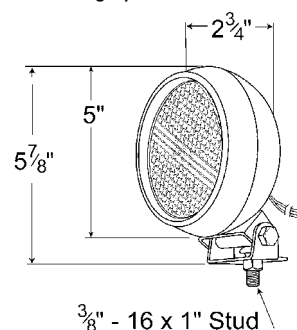
Voltage Amp: 12V - .6A

Accessory:

Lamp: 61971 Spot, 64971 Flood

Housing: 64930 Black

Magnetic Mount: 43300 Chrome



Twin Beam Halogen Work Lamp

64901 - Flood

A rectangular-style halogen high-output lamp. Shock-absorbing, weatherproof body with a break-resistant glass lens for road-hazard resistance. An excellent multipurpose lamp for all on-road or off-road uses.

- Reinforced nylon housing for strength and durability
- Hardened glass lens resists breakage from road hazards
- Complies with SAE J575e vibration and corrosion standards

TECHNICAL SPECIFICATIONS

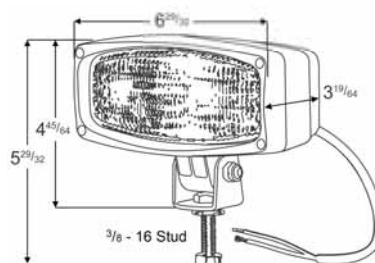
Material: Nylon, Glass

Finish: Black

Bulb: H3 (x 2)

Voltage Amp: 12V - 9.4A, 2 x 55 Watts

Accessory: Bulb - 90861-5



Critical Performance

In an urgent situation there is no room for human error. Warning and hazard lights should be the last thing on the minds of the personnel entrusted with responding to, and working in, critical conditions. For years, people have trusted Grote to provide warning and hazard lighting systems needed for these applications. Whether in police cruisers, ambulances, fire trucks or construction and material handling equipment, Grote's rugged, reliable and efficient lighting improves visibility, safety and productivity. Based on Grote's LED technology, this line of LED lamps provides exceptional visibility and awareness, helping make personnel safer and more efficient.

But Grote's LED lamps also shine as reliable, cost-effective options. Despite their greater lumen output, they last longer and consume significantly less energy than competitors' products.

Leave it to Grote to help make challenging circumstances a little brighter and a lot safer.



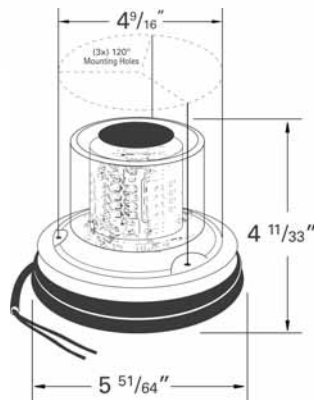
360° LED Strobe Light

77853 - Class III

77863 - Class II

This light is just right for a wide variety of applications or anywhere an alert needs to be given. The yellow-colored, high-impact lens allows for 360° optimal LED visibility, ensuring safety and awareness.

- Three mounting holes with mounting hardware on black anodized aluminum base for resistance against corrosion
- Polycarbonate high impact lens and gasket are fastened onto the base to enclose and protect the LED circuit board assembly
- 12V Quad flash pattern is ideal for material handling equipment
- 63 FSPM (flash sequences per minute) in Quad flash mode
- LEDs feature long-lasting low amp draw for maintenance-free operation
- 18 columns and 4 rows (77853) or 8 rows (77863) of high-intensity surface mounted LEDs wrapped around a 6063 aluminum heat sink to dissipate heat



TECHNICAL SPECIFICATIONS

Material: Aluminum, polycarbonate

Finish: Illuminates Yellow

FMVSS: Class II (77863) Class III (77853)

Voltage Amp: 12V - 2.1A

Plastic Base Epoxy Filled Class II Strobe

77583 - Low Profile

77593 - Medium Profile

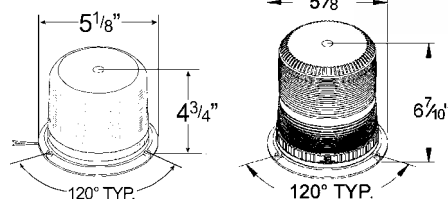
- Three wire leads allow user to choose double flash or quad flash
- Field replaceable flash tube and UV stabilized polycarbonate thread-on lens requires no tools to change
- Heavy duty epoxy filled reinforced nylon base
- Voltage spike and surge protected

TECHNICAL SPECIFICATIONS

Material: Polycarbonate/Nylon

FMVSS: Class II, J1318

Voltage Amp: 12-48V - 1.5A



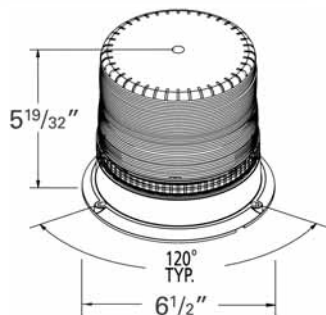


LED High Intensity Beacon

77873 With switch

Low-profile lamp with high-visibility light output. Rugged die-cast aluminum base, reliable LEDs and polycarbonate lens make this lamp a durable solution.

- Eight 3-watt LEDs provide unrivaled flash intensity
- Double or Quad flash operation with hi/lo intensity control
- Die-cast aluminum base is coated against corrosion and designed for vibration resistance and heat dispersion
- Thread-on polycarbonate lens allows for easy "no-tool" pattern selection
- Reverse polarity, voltage spike and surge protected
- 12 to 24V DC operation spread



TECHNICAL SPECIFICATIONS

Material: Die Cast Aluminum/Polycarbonate
Finish: Illuminates Yellow
FMVSS: Class I, J845
Voltage Amp: 12V - 0.5A



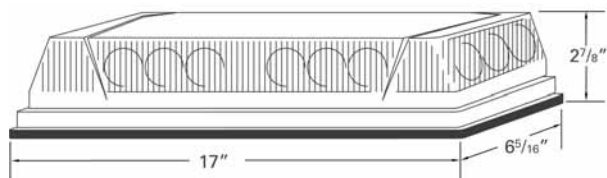
Low Profile LED Mini-lightbar

76983 - Permanent Mount

76993 - Magnetic Mount

Now a low profile, mini-lightbar that provides all the high performance LED warning and signaling benefits in a smaller size that fits all your special applications.

- 6 LED modules
- Built-in electronic flasher with 30 Scan-Lock™ flash patterns plus 4 simulated rotating patterns (permanent mount version only)
- ActionScan™ default flash pattern
- Permanent mount includes 6" pigtail; magnetic mounts include 8' straight cord with accessory plug with LED indicator switch



TECHNICAL SPECIFICATIONS

Material: Polycarbonate
FMVSS: Class I, SAE J845
Voltage Amp: 12V - 1.2 - 3A



LED Safety Director, Directional Light

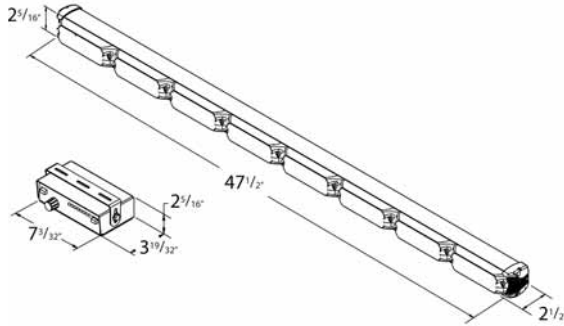
78473 - Yellow

Provides maximum visibility in a strip-style warning lamp. The lamp looks clear, but projects an amber caution color in alternating flash or wig-wag patterns. In-cab controls provide hassle-free operation and pattern selection.

- Extruded aluminum housing and clear polycarbonate LED module (illuminates amber)
- Epoxy-sealed electronics provide maximum environmental protection
- Wig-Wag and alternating flash patterns
- Reduced replacement and repair costs as each of the individual modules can be removed and replaced

TECHNICAL SPECIFICATIONS

Material: Aluminum/Polycarbonate
 Finish: Illuminates Yellow
 FMVSS: Class I, J845
 Voltage Amp: 12V - 7A



LED High Output, Directional Light

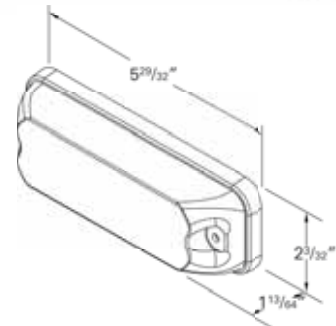
77773 - Yellow

Lamp features a high-impact housing and encapsulated electronics for long life and durability. Surface mounted for a multitude of vocational applications.

- 42 individual 1/4 watt LEDs with individual reflectors
- Tough, clear polycarbonate housing with urethane-encapsulated electronics
- Temperature range of -30°C to +50°C (-22°F to +122°F)

TECHNICAL SPECIFICATIONS

Material: Clear polycarbonate housing
 Finish: Clear
 FMVSS: SAE J845 Class I
 Voltage Amp: 12V - .09A



93960 adaptor bracket shown here converts surface mount lamp to grommet mount.



LED Dash/Deck Light

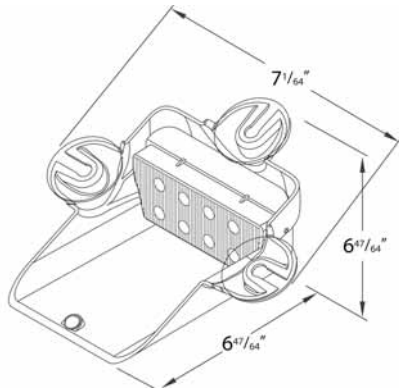
- 76552 - Red
- 76553 - Yellow
- 76554 - Green

Easily mounted warning/hazard lamp. Available in red, yellow or green. Meets the demands of any warning or hazard situation.

- Dash-mount pint-sized light that throws a full-sized punch

- High-output, GEN3 LED technology produces incredible high-intensity warning in a compact design that fits easily and snugly to the windshield

- Each light provides multiple scan-lock flash patterns and includes an 8-foot cord with accessory plug containing on/off switch and LED "on" indicator



TECHNICAL SPECIFICATIONS

Material: Polycarbonate
 FMVSS: Class I
 Finish: Black/Clear
 Voltage Amp: 12V - 0.6A Solid, .3A split

LED High Intensity Directional Light

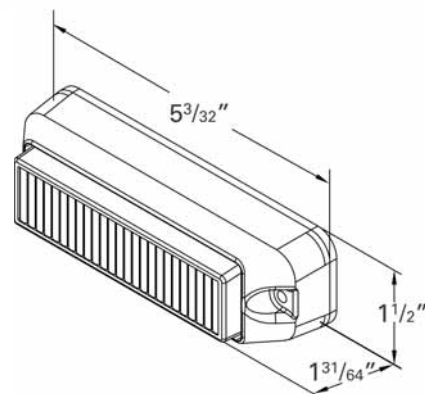
77763 - Yellow

Compact LED lamps provide high-intensity dispersion and four different flash modes, alerting oncoming traffic that there's a hazard ahead.

- Utilizes four high-intensity, 1-watt Luxeon® LEDs and ribbed optics for maximum light dispersion
- User-selectable Steady Burn, Double, Quad, or Quint flash modes
- Meets SAE J845 for Class I in quad mode only
- Temperature range of -30°C to +50°C (-22°F to +122°F)

TECHNICAL SPECIFICATIONS

Material: Die-cast coated aluminum housing
 Finish: Brushed aluminum/clear lens
 FMVSS: SAE J845 Class I
 Voltage Amp: 12V - .02A





360° Portable **LED** Battery Operated Warning Lights

77912 - Red
77913 - Yellow

Compact and portable 360° LED warning lights with carrying strap and magnetic base. Wide range of applications without the inconvenience of wires and permanent mount locations.

- 360° LED beacon in yellow or red
- 24 ultra bright LED's
- 60 triple flashes per minute
- Includes optional use photocell that automatically turns lamp off during day and on at night
- 300-400 hours of operation on 2 'D' cell batteries (not included)
- Strong magnet base holds lamp in place when on a metal surface
- Perfect for logging or long load applications



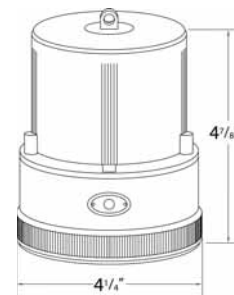
Shown with bracket 96010

TECHNICAL SPECIFICATIONS

Material: Acrylic

Finish: Illuminates - Red (77912), Yellow (77913)

Voltage: 2 X D Cell



Directional Portable **LED** Battery Operated Warning Lights

77923 - Yellow

Compact and portable directional LED warning lights with clip and magnetic base. Wide range of applications without the inconvenience of wires and permanent mount locations.

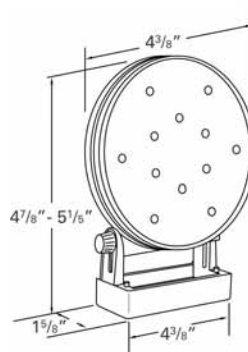
- Push button operation
- 72 hours of operation on 2 'AA' batteries (not included)
- Includes a magnetic base and adjusts 180°
- Clip attached for mounting on visor, belt or traffic cone
- Reflective lens for additional safety in any application
- 3 user-selectable patterns
- 4" in diameter

TECHNICAL SPECIFICATIONS

Material: Acrylic

Finish: Illuminates Yellow

Voltage: 2 AA



Advanced Performance

When it comes to vehicle safety lighting, sometimes the small things make the biggest difference. Advanced lamps that light the way for vehicle steps and floors, or lamps that signal a vehicle is backing up, for instance, loom large in avoiding visual errors and personal injuries. That's why Grote makes LED WhiteLight™ technology available in an array of auxiliary vehicle lighting, such as Courtesy StepWell interior lamps and exterior back-up lamps. These lamps encompass all of Grote's LED expertise in advanced lighting.

Brighter, whiter light, low power usage, and the elimination of destructive internal heat buildup make these lamps durable, reliable and long lasting. At Grote, we spend a lot of time on the small details to make big differences in advanced performance!

4" Round **LED** Dual System Back-up Lamp

SuperNova™
62091 - Male Pin
62101 - Hard Shell

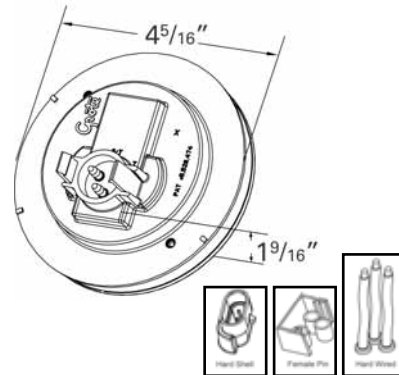
G-Select™
62691 - Female Pin
62701 - Hard Wire

Clean light for improved safety in vehicle back-up situations. LED reliability means these lamps outlast incandescent rivals.

- Fits standard 4" lamp grommets and brackets
- Hermetically sealed lamp prevents water intrusion
- Requires two lamps to meet back-up function

TECHNICAL SPECIFICATIONS

Material: ABS/Acrylic
 FMVSS: R2
 Voltage: 13.5V - .55A
 Bracket: 93552, 43253, 92510, 92511, 92512, 92513, 43572, 43642, 43655, 43732, 93190, 93550, 93553, 93683, 51090
 Grommet: 91740, 91950
 Pigtail: 66815, 66841, 67002, 66842, 67013, 66816, 66845, 67005, 66823, 66830, 67016, 66846, 66836, 67006, 66862, 66812, 66811



SuperNova™ Oval **LED** WhiteLight™ Dual System Back-up Lamp

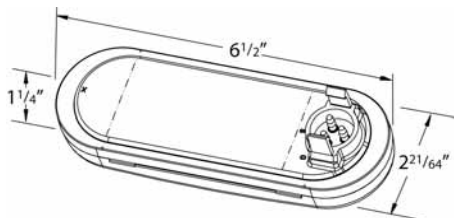
62051 - Hard Shell
62061 - Male Pin

A great addition to the SuperNova™ line of long-life LED lamps! This lamp features Grote's LED WhiteLight™ technology, providing clean light for improved safety in vehicle back-up situations. LED reliability means these lamps outlast incandescent rivals.

- Fits standard oval lamp grommets and brackets
- Hermetically sealed lamp prevents water intrusion
- Requires two lamps to meet back-up function
- Lamps must be mounted vertically

TECHNICAL SPECIFICATIONS

Material: ABS/Acrylic
 FMVSS: R2
 Finish: Clear/White
 Voltage Amp: 13.5V - .33A
 Bracket: 43362, 43952, 43220, 43223, 43222, 43723, 43100
 Grommet: 92420, 92720
 Pigtail: 66815, 66841, 67002, 66842, 67013, 66861, 66862



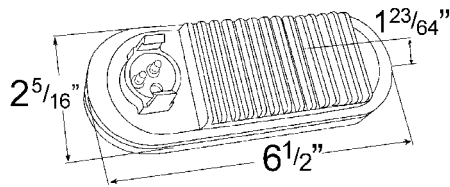


Supernova™ LED WhiteLight™ Oval Single System Back-up Lamps

62561 - Clear

Featuring Grote's LED WhiteLight™ technology, providing clean light for improved safety in vehicle back-up situations.

- Legal for Horizontal mount only
- Male pin for plug and go installation
- Retrofit upgrade for OEM trucks using the Grote tail lamp system



TECHNICAL SPECIFICATIONS

Material: ABS/Acrylic
 FMVSS: R
 Finish: Clear/White
 Voltage Amp: 12V - .33A
 Bracket: 43362, 43952, 43220, 43223, 43222, 43723, 43100
 Grommet: 92420, 92720
 Pigtail: 66842, 66846

Torsion Mount™ III Oval Male Pin Single System Back Up Lamp

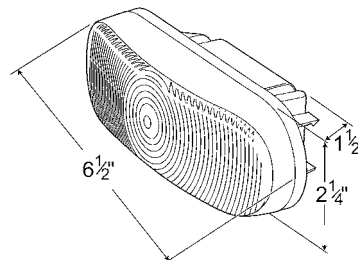
62111 - Clear

This conventional incandescent lamp features Grote's Torsion Mount™, Gel-Mount® technology to cradle the bulb and insulate it from vibration. Fits standard oval lamp grommets and brackets, and uses Grote's Ultra-Blue-Seal® connectors for easy installation.

- Fits standard oval lamp grommets and brackets
- Torsion Mount™ III, Gel Mount® bulb cradle technology increases bulb life due to vibration damage
- Male pin UBS® connection technology utilizes O-ring seals and pigtail locking tabs to help eliminate the threat of corrosion from water intrusion
- Meets back-up function for single lamp system

TECHNICAL SPECIFICATIONS

Material: Polycarbonate
 FMVSS: R
 Finish: Frosted Clear
 Bulb: 40 C.P.
 Voltage Amp: 12V - 2.2A
 Bracket: 43362, 43952, 43220, 43222, 43223
 Grommet: 92420 92720
 Pigtail: 66842, 67013, 66846, 67016



LED WhiteLight™ Courtesy Stepwell Lamp

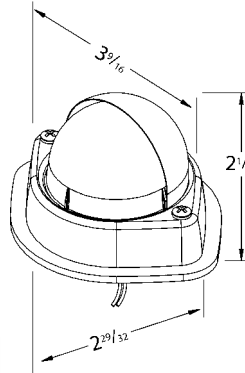
60571 - Clear

The ADA-compliant, LED WhiteLight™ lamp is a perfect retrofit replacement for popular incandescent versions. This cool-to-the-touch lamp is perfect for high foot traffic areas and applications in buses, RVs, trucks, ambulances and more!

- Specially formulated encapsulent potting that protects against moisture, vibration and corrosion
- Same mounting as popular incandescent versions
- Connections can be easily adjusted for typical installations
- Designed for bus electronics for seamless integration into existing platforms

TECHNICAL SPECIFICATIONS

Material: Stainless Steel / Polycarbonate
 FMVSS: ADA Compliant
 Finish: Stainless
 Voltage Amp: 14V - .3A



Small Rectangular LED License Lamp

60601 - Clear

Long-lasting LEDs work great for illuminating license plates. Lamps are simple to install and worry-free because they're permanently sealed against the elements.

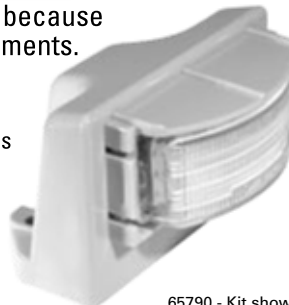
- Hermetically sealed lamp prevents water intrusion
- Hardwired with .180 slim-line UBS plug connections for maximum performance
- Indexed, snap-fit mounting to brackets

TECHNICAL SPECIFICATIONS

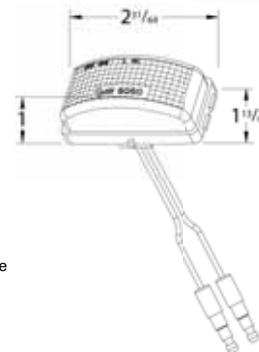
Material: Polycarbonate
 FMVSS: L
 Finish: Clear
 Voltage Amp: 12V - .033A
 Bracket: 42162, 43960, 43962



65782 - Kit shown here
(60601 + 42162)



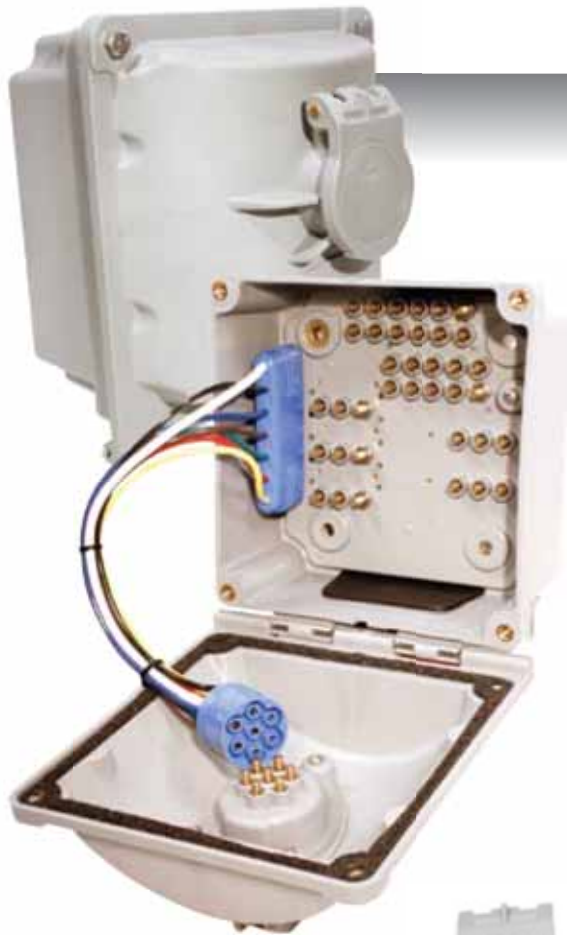
65790 - Kit shown here
(60601 + 43960)



Total Performance

Building the world's best vehicle lighting is a responsibility we never take lightly. That's why we focus on the complete system, such as connectors, wiring, harnesses, light brackets, grommets, mounts and switches. Literally everything in vehicle safety lighting, from the front of the vehicle to the taillight, is made to Grote's exceedingly high quality standards so all the products perform seamlessly, ensuring the functionality and reliability of the lamps and their auxiliary components. Grote has always been the go-to source for virtually anything in the vehicle safety systems industry, with products designed to improve user safety, simplify installation and maintenance, and ultimately increase productivity. This tradition continues with the products shown on the following pages.

**All are new additions to the Grote family and they all share the same thing every Grote product offers ...
The Grote Performance Advantage!TM**



Next Generation Ultra Nose Box™

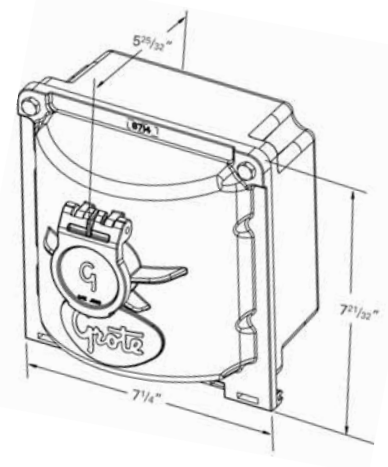
87140 - Ultra Nose Box

The perfect complement to Grote's world-famous Ultra-Blue-Seal® vehicle harness system, this nose box provides all the connection points needed for a complete trailer lighting package. It's weather-tight, but allows easy access to all connections.

- Replaceable 7-pin insert for easy maintenance
- 39-pin connections eliminates the overcrowding and splicing of wires
- Hinged door for easy access to connections and mounting gasket to keep the elements out
- Redundant threaded pin option on each circuit for field repair service
- Insert-molded pins helps prevent accidental disconnects and corrosion

TECHNICAL SPECIFICATIONS

Material: Nylon Finish: Gray
 Replacement 7-pin insert: 97900
 Replacement Door Kit: 97910



97910 - Pin, Door, Spring Replacement Kit



97900 - Pin Replacement

Adapter Plugs for Hard Shell Connectors

66860 - Female Pin to Hard Shell Connector, NEW

Added to Grote's line of wiring products, this adapter is for use with 4" round and oval stop/tail/turn lamps. It features a female pin harness on one end and an AMP connector on the other. As with all Grote wiring products, the plugs feature Ultra-Blue-Seal® for the ultimate in weatherproof connections.

- For use with 4" round and oval stop/tail/turn lamps

OTHER PRODUCT NUMBERS

COMPETITIVE HARNESS TO MALE PIN:

67006 - Male Pin to Hard Shell Connector



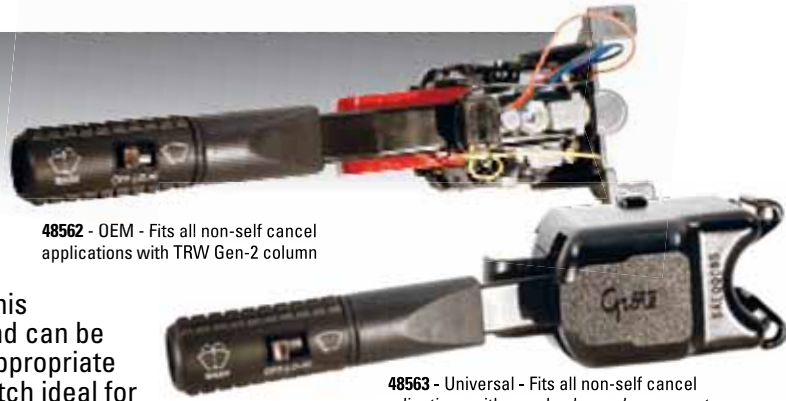
Rubber Grip Turn Signal Switch with 2 Speed Wiper Control

- 48562** - OEM Style
- 48563** - Universal Style

New to Grote's line of turn signal switches, this multifunction stalk retrofits the OE version and can be used universally on most vehicles with the appropriate harness. An 18-bulb capacity makes this switch ideal for triple-trailer configurations.

- Includes 2 speed wiper and lift to dim options
- Rubberized grip for comfort

TECHNICAL SPECIFICATIONS
 Finish: Black
 FMVSS SEA Code: Q



48562 - OEM - Fits all non-self cancel applications with TRW Gen-2 column

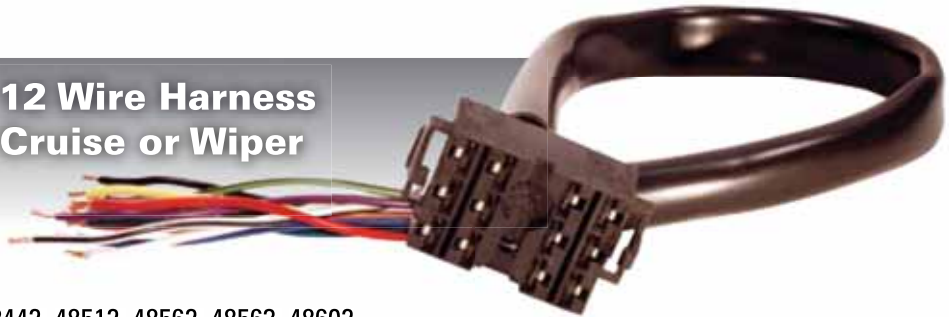
48563 - Universal - Fits all non-self cancel applications with round column clamp mount

Universal, Plug-in 12 Wire Harness for Switches with Cruise or Wiper Control

69681 - Harness

Designed to work with Grote 48442, 48512, 48562, 48563, 48602 switches. Plug-in fits securely, and color-coded wire ends make positive identification foolproof when hard-wiring the existing harness.

- Flexible, black PVC loom adds protection without adding rigidity



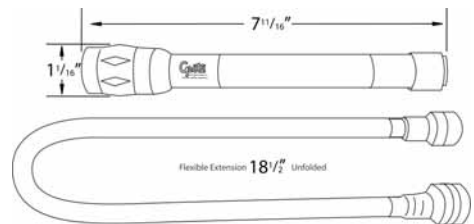
LED Mechanic's Flashlight

98001-5 - Black

This flexible device should be in every mechanic's toolbox!

- Popular black finish on impact-resistant aluminum body
- Bright 1-Watt LED uses 3 AA batteries
- Retail packaged for visual impact at point of sale; order at standard case quantity of 4 to receive point-of-sale display
- Removable head and flexible extension may be posed to allow for hands-free use that gives the user the opportunity to shine light where it is needed
- Can be used as a handheld flashlight; crosshatched handle improves grip

Finish: Black
 Voltage Amp: 4.5V - .22A





**Lightwinder®
Flexible Work
Light**

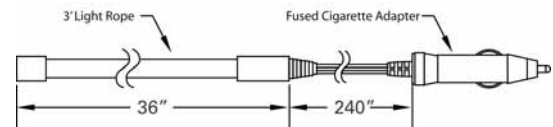


60551-5 - Clear

A Grote solution for putting light in those hard to see places when working on your vehicle. Use it over, under, around and through vehicle. Grote's 12-volt LightWinder® work light is perfect for illuminating engine bays, interiors, and trunks; and for emergencies where a flexible rope of light would come in handy. LightWinder® is also excellent for use in boats, RVs, ATVs, and many other outdoor applications.

- Flexible LED light source with 3 ft. of light and 20-ft. cable
- Uses included standard 12V auxiliary vehicle plug for power or a useful 12V battery adaptor
- Retail packaged for visual impact at point of sale; order at standard case quantity of 4 to receive point-of-sale display
- Perfect to store in trunk or under seat for quick access on the road and is a great light source when stranded and need extra visibility or to change a tire
- Long-life LEDs provide peace of mind (never worry about the flashlight batteries or bulb again)
- Perfect for outdoor hobbies or activities; in the boat or on the ATV

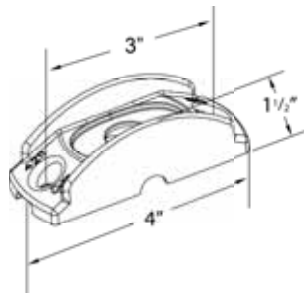
Voltage Amp: 12V - .7A per ft.



**Surface Mount Bracket
for MicroNova®**

42110 - Gray

- Surface-mount bracket for Grote MicroNova® products
- Armored design to protect the lamp from damage (like tree limbs)
- 3" mounting centers for easy retrofit with many popular marker lamps



TECHNICAL SPECIFICATIONS

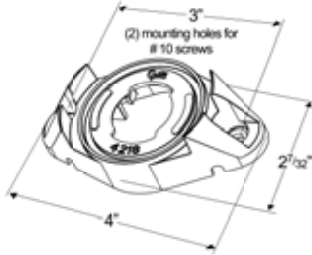
Material: Polycarbonate
Finish: Gray



2" and 2.5" Gray Mounting Bracket

42180 - Clear

- Allows for easy surface mounting of clearance/marker lamps without punching recess holes
- Flexible mounting options, accepts both 2" and 2 1/2" round lamps
- 3" mounting centers
- Nickel-plated, brass eyelets increase strength and durability
- Not recommended for use with Signal-Stat® products
- Supports the use of PC rated lamps for greater visibility



TECHNICAL SPECIFICATIONS

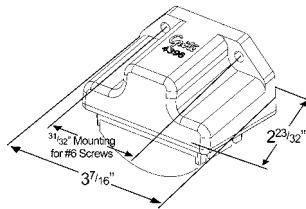
Material: Polycarbonate
Finish: Gray



License Lamp Mounting Bracket

43962 - Black

- Features a snap-fit mounting for quick installation and easy replacements
- Fits license lamp 60261, 60601
- Ideal for license, instrument and step lighting applications



TECHNICAL SPECIFICATIONS

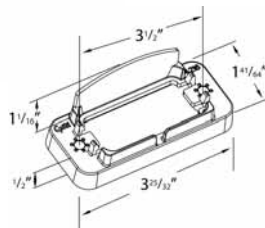
Material: Polycarbonate
Finish: Gray/Black



License Lamp Mounting Bracket

**42160 - Gray
42162 - Black**

- Features a snap-fit mounting for quick installation and easy replacements
- Fits license lamp 60261, 60601
- Ideal for license, instrument and step lighting applications



TECHNICAL SPECIFICATIONS

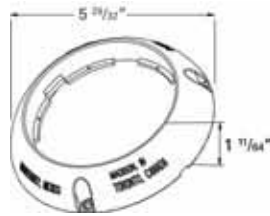
Material: Polycarbonate
Finish: Gray/Black



Surface Mount Bracket for 4" Lamps

94540 - Clear

- Low profile bracket allows for more headroom than similar surface mount incandescent lamps
- Radius edges give greater bump deflection than standard surface lamp mounting options
- Surface mount bracket is suitable for all Grote flat backed, hard wired 4" lamps for dome, back-up, strobe and stop/tail/turn applications
- Bracket accommodates hard wired lamps but can use Male Pin or Hard Shell connections if appropriate cutouts are made



TECHNICAL SPECIFICATIONS

Material: Polycarbonate
Finish: Gray

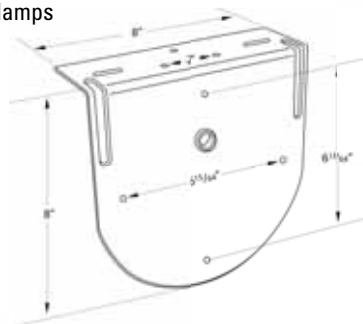
Mounting Bracket for 7" LED Lamps

93982 - Black

- Heavy-duty steel construction, with a hard-coated enamel finish for maximum resistance to the elements
- Provides multiple mounting options for 7" LED lamps
- Sturdy, rigid bracket will withstand the abuse of the daily grind

TECHNICAL SPECIFICATIONS

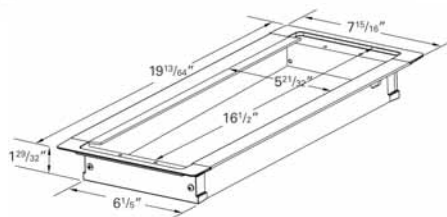
Material: Steel
Finish: Black, Powder Coated



Recessed Aluminum Interior Mounting Pan

43004 - Aluminum

- Holds connector and wiring making replacement easier
- Allows for recessed lamp installation up to 1 1/2" of depth
- For use with 61881, 61261 and 61611



TECHNICAL SPECIFICATIONS

Material: Aluminum/Polycarbonate
Finish: Gray/White

Additional New Products and Updates



78593
Small Rectangular ABS
Lamp, Yellow



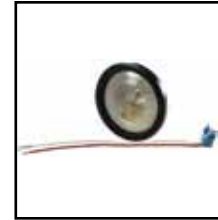
54102
4" Round, 10 Diode LED
S/T/T, Red with Gray
Flange



52093
4" Round, 10 Diode LED
S/T/T, Yellow, 24 Volt



62720
Sealed, Back-up Lamp



62451
Economy, Back-up
Lamp Kit



93950
"T" Connector for Rope
Lighting



44360
Brake Override Switch



44380
Momentary Ground
Sensing Switch



02421-4
Per-Lux® Sealed Beam
Driving Lamp, Halogen, Pair



44110
Flasher, LED



48010
Turn Signal Switch
Harness Kit



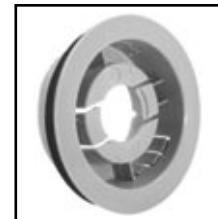
48402
Turn Signal Switch



94233
Small Rectangular
Mounting Bracket,
Chrome



42131
4", Round, Narrow
Mounting Bracket



42170
2.5" Theft Resistant
Bracket, Gray



42172
2.5" Theft Resistant
Bracket, Black



42173
2.5" Theft Resistant
Bracket, Chrome



42192
2" Theft Resistant
Bracket, Black



42193
2" Theft Resistant
Bracket, Chrome



42103
Oval, Stainless Steel
Security Ring



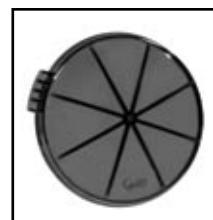
93850
4" Theft Resistant
Flange, Gray,
Incandescent Only



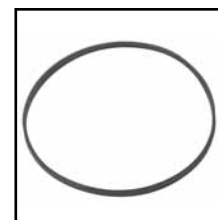
93960
Surface Mount to
Grommet Mount
Adaptor Bracket



93603
1/2" Pipe Mount for
Strobe Lamp



93351
Smoke Color Replace-
ment Lens for Docu-
ment Holder 43901



99250
Replacement Belt for
77163

NEW Retail Packaging for Familiar Products



| Part Number | Description |
|-------------|--|
| 66843-5 | 90 Degree, 3-Wire Pigtail, Retail Pack |
| 67001-5 | Sealed Marker Lamp Pigtail, Retail Pack |
| 67050-5 | Sealed Marker Lamp Pigtail, Retail Pack |
| 67090-5 | Economy, 90 Degree 3-Wire Pigtail, Retail Pack |
| 91740-5 | 4" Rubber Grommet, Retail Pack (not pictured) |
| 92420-5 | Oval Rubber Grommet, Retail Pack |
| 92513-5 | 4" Theft Resistant Flange, Chrome, Retail Pack (not pictured) |
| 43430-5 | Bracket and Pigtail Kit (43690 + 67050), Retail Pack |
| G1002-5 | 2.5" Hi Count® Clearance/Marker Lamp, Red, Retail Pack |
| G1003-5 | 2.5" Hi Count® Clearance/Marker Lamp, Yellow, Retail Pack |
| G1032-5 | 2.5" Hi Count® Clearance/Marker Lamp, Red, Retail Pack (not pictured) |
| G1033-5 | 2.5" Hi Count® Clearance/Marker Lamp, Yellow, Retail Pack (not pictured) |
| G1082-5 | 2.5" Hi Count® Beehive Clearance/Marker Lamp, Red, Retail Pack (not pictured) |
| G1083-5 | 2.5" Hi Count® Beehive Clearance/Marker Lamp, Yellow, Retail Pack (not pictured) |
| G1502-5 | Small Rectangular, Hi Count® Clearance/Marker Lamp, Red, Retail Pack |
| G1503-5 | Small Rectangular, Hi Count® Clearance/Marker Lamp, Yellow, Retail Pack |
| G3002-5 | 2", Hi Count® Clearance/Marker Lamp, Red, Retail Pack |
| G3003-5 | 2", Hi Count® Clearance/Marker Lamp, Yellow, Retail Pack |
| G3092-5 | 2", Hi Count® Beehive Clearance/Marker Lamp, Red, Retail Pack |
| G3093-5 | 2", Hi Count® Beehive Clearance/Marker Lamp, Yellow, Retail Pack |
| G4502-5 | Rectangular, Hi Count® S/T/T, Red, Retail Pack (not pictured) |
| G4503-5 | Rectangular, Hi Count® S/T/T, Yellow, Retail Pack (not pictured) |
| G5052-5 | Triangular, Hi Count® School Bus Lamp, Red, Retail Pack |
| G6002-5 | Oval, Hi Count® S/T/T, Red, Retail Pack (not pictured) |
| G6003-5 | Oval, Hi Count® S/T/T, Yellow, Retail Pack (not pictured) |



Grote Industries, Inc.
2600 Lanier Drive
Madison, Indiana 47250
USA
Phone: 812-273-1296
Phone: 800-628-0809
Fax: 812-265-8440
Email: safety@grote.com

Grote Manufacturing, Ltd.
230 Travail Rd.
Markham, Ontario L3S 3J1
Canada
Phone: 905-209-9744
Phone: 800-268-5612
Fax: 905-209-9757
Fax: 800-267-9024
Email: canada@grote.com

Grote Industries de México, S.A. DE C.V
Ave. Rogelio González Caballero 225
Parque Industrial Stiva Aeropuerto
Apodaca, Nuevo León,
México
Código Postal 66600
Phone: 011 (52) 818262 4400
Fax: 011 (52) 818262 4404
Email: mexico@grote.com

Grote Industries Europe
Plaza Circular 4,
Sixth Floor
48001, Bilbao
Spain
Phone: +34 94 435 6464
Fax: +34 94 435 6465
Email: europe@grote.com