

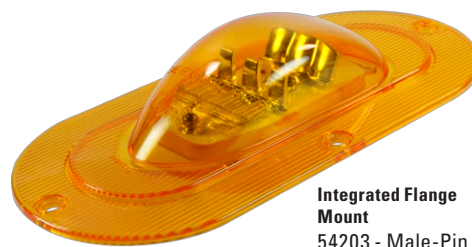
# SuperNova® Oval Side Turn/Marker LED Lamps

Product Information Sheet

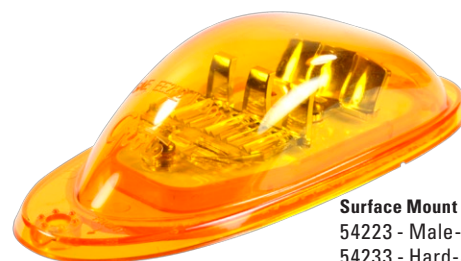
STOP / TAIL / TURN / LAMPS



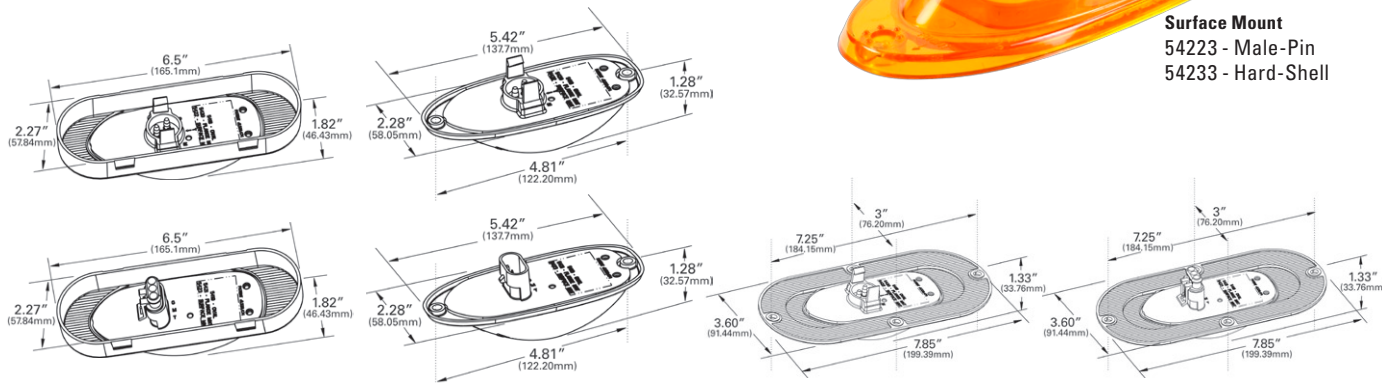
**Grommet Mount**  
54183 - Male-Pin  
54193 - Hard-Shell



**Integrated Flange Mount**  
54203 - Male-Pin  
54213 - Hard-Shell

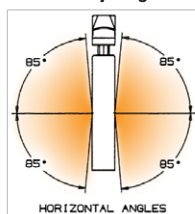


**Surface Mount**  
54223 - Male-Pin  
54233 - Hard-Shell



- Flashing turn signal is visible to driver during operation
- Available in recessed grommet/flange, surface and integral flange mount versions
- Male-pin and hard-shell connection options
- 50 state legal, meets SAE J914 E/E2 and California title 13
- Single circuit board and single reflector component design

### Visibility Angles



### PRODUCT SPECIFICATIONS

**MATERIAL:** POLYCARBONATE  
**FINISH:** YELLOW  
**FMVSS:** OPTIC - E, E2, P2  
**VOLTAGE AMP:** 13.5V / .45A/.06A  
**BRACKETS:** 43362, 43952, 43220, 43222, 43223, 42152, 42153, 43172, 42103, 43723  
**GROMMETS:** 92420, 92720  
**PIGTAILS:** MALE-PIN-67002, 66841, 66815, 66816, 66845, 67005; HARD-SHELL-66861  
**MOUNTING PAD:** 94340 (FOR 54203, 54213)

Part Number	Light Source	Operating Voltage	Amperage	Interchange
<b>54183 - Male-Pin</b>	<b>Grommet Mount</b>	LED	12V	.45A/.06A
<b>54193 - Hard-Shell</b>	<b>Grommet Mount</b>	LED	12V	.45A/.06A
<b>54203 - Male-Pin</b>	<b>Flange Mount</b>	LED	12V	.45A/.06A
<b>54213 - Hard-Shell</b>	<b>Flange Mount</b>	LED	12V	.45A/.06A
<b>54223 - Male-Pin</b>	<b>Surface Mount</b>	LED	12V	.45A/.06A
<b>54233 - Hard-Shell</b>	<b>Surface Mount</b>	LED	12V	.45A/.06A

grote.com

2600 Lanier Drive, Madison, Indiana U.S.A. 47250-0550

U.S. 800.628.0809 Canada 800.268.5612



The first name in vehicle safety systems®