

LED WhiteLight™ Recessed Small Mount Lights

Data Sheet

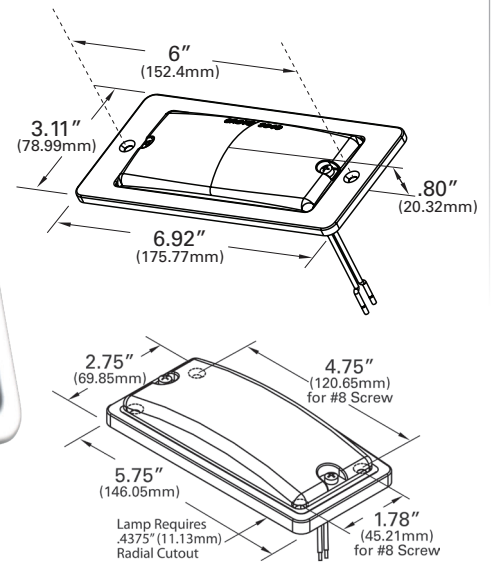
INTERIOR LIGHTING



PRODUCT SPECIFICATIONS

MATERIALS
 MATERIAL: ALUMINUM/POLYCARBONATE
 FINISH: GRAY

ELECTRONIC CHARACTERISTICS
 INPUT VOLTAGE: 12V/24V
 OPERATING TEMPERATURE: -40C TO 80C



Shine brighter for longer

- Fits existing incandescent mountings
- Low amp draw LEDs control heat output
- Flexible operating range produces light in variable power scenarios
- Rated to 50,000 hours

| PART NUMBER | DESCRIPTION | NUMBER OF LED DIODES | EFFECTIVE LUMENS | VOLTAGE | AMPERAGE |
|-------------|------------------------------------|----------------------|------------------|---------|-------------------------|
| 61861 | Dome, Flush-Mount | 6 | 300 | 12V/24V | 0.30A @ 12V/ 0.16A @24V |
| 61871 | Courtesy, Flush-Mount | 6 | 150 | 12V/24V | 0.15A @ 12V/ 0.09A @24V |
| 61931 | Dome, Flush-Mount with Larger Base | 6 | 300 | 12V/24V | 0.30A @ 12V/ 0.16A @24V |
| 61961 | Courtesy, Flush-Mount | 3 | 150 | 12V | 0.24A |
| 61991 | Dome, Flush-Mount | 6 | 300 | 12V | 0.48A |

2600 Lanier Drive, Madison, Indiana U.S.A. 47250-0550

U.S. 800.628.0809 Canada 800.268.5612

Europe +49 9422 40331-0 Mexico +(52) 818262 4412 China +86.21.5774.9633

GLB-2018-016

grote.com

