

# Oval Hi Count® LED Stop/Tail/Turn Lamp

Data Sheet

STOP / TAIL / TURN

LED



## PRODUCT SPECIFICATIONS

**MATERIAL:** POLYCARBONATE

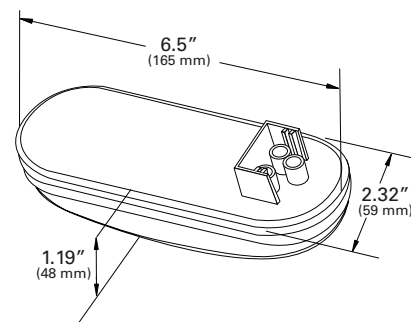
**FINISH:** CLEAR/RED/YELLOW/WHITE

**FMVSS:** RED - I6, P2, S2, T2 - YELLOW - I6

**BRACKET:** 42152, 43220, 43952, 43100, 42153, 43222, 42103, 43362, 43223, 43723

**GROMMET:** 92420, 92720

**PIGTAIL:** 67090, 67000, 66811, 66812, 66825, 66843, 66844



High style LED lamps. High visibility on the road.

- Female pin termination accepts standard PL3 connectors
- Lower amp draw of LEDs allows for use of more lamps without draining vehicle power
- LEDs provide greater visibility and faster stop warning for trailing vehicles
- 2 Year Warranty
- Hermetic lens to housing seal

Part Number	Description	Color	Operating Voltage	Amperage
G6002	STOP/TAIL/TURN	RED	12V	0.33A (I6,S2) / 0.15A (P2, T2)
G6002-3	STOP/TAIL/TURN	RED, BULK PACK	12V	0.33A (I6,S2) / 0.15A (P2, T2)
G6002-5	STOP/TAIL/TURN	RED, RETAIL PACK	12V	0.33A (I6,S2) / 0.15A (P2, T2)
G6003	FRONT & REAR TURN	YELLOW	12V	0.37A (I6)
G6003-3	FRONT & REAR TURN	YELLOW, BULK PACK	12V	0.37A (I6)
G6003-5	FRONT & REAR TURN	YELLOW, RETAIL PACK	12V	0.37A (I6)
G6012	STOP/TAIL/TURN	RED W/CLEAR LENS	12V	0.33A (I6,S2) / 0.15A (P2, T2)
G6013	FRONT & REAR TURN	YELLOW W/CLEAR LENS	12V	0.37A (I6)

2600 Lanier Drive, Madison, Indiana U.S.A. 47250-0550

U.S. **800.628.0809** Canada **800.268.5612**

Europe **+49 9422 40331-0** Mexico **+(52) 818262 4412** China **+86.21.5774.9633**

[grote.com](http://grote.com)