

# Grote-Select™ 4" LED Stop/Tail/Turn Lamp

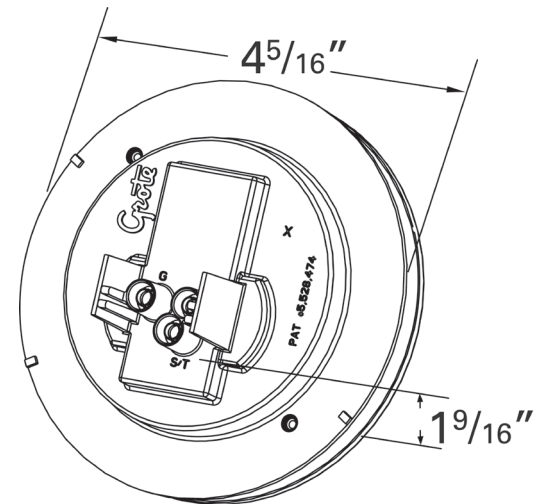
Product Information Sheet

STOP / TAIL / TURN

LED



Grote Select™



New optic design provides cost effective solution with popular aftermarket termination style.

## PRODUCT FEATURES AND BENEFITS

- Longer life than incandescent lamps
- Faster light-on response time, for safety, provides increased stopping alert distance than incandescent lamps
- Less current draw than standard incandescent lamps for increased fuel efficiency, more voltage available to other vehicle systems
- Uses existing pigtailed and wiring for cost effective retrofit
- Use with Grote pigtail for an extra year warranty
- Similar look to incandescent light alleviates theft concerns
- Hermetic lens to housing seal prevents moisture intrusion

## PRODUCT SPECIFICATIONS

RED, FEMALE PIN: 54342  
YELLOW, FEMALE PIN: 54343

MATERIAL: ABS/ACRYLIC  
FMVSS: S/T/T - I, P2, S, T - AUXILIARY - P2  
FINISH: RED/YELLOW  
VOLTAGE AMP: RED - 12V - .24A (I,S)/.03A (T)

| Part Number    | Market            | Light Source | Operating Voltage | Amperage              | Interchange |
|----------------|-------------------|--------------|-------------------|-----------------------|-------------|
| 54342 - RED    | TRUCK AND TRAILER | RED LEDS     | 12V               | .24A (I,S) / .03A (T) | NA          |
| 54343 - YELLOW | TRUCK AND TRAILER | YELLOW LEDS  | 12V               | .24A (I,S) / .03A (T) | NA          |

[grote.com](http://grote.com)

2600 Lanier Drive, Madison, Indiana U.S.A. 47250-0550

U.S. 800.628.0809 Canada 800.268.5612

**Grote**

The first name in vehicle  
safety systems®