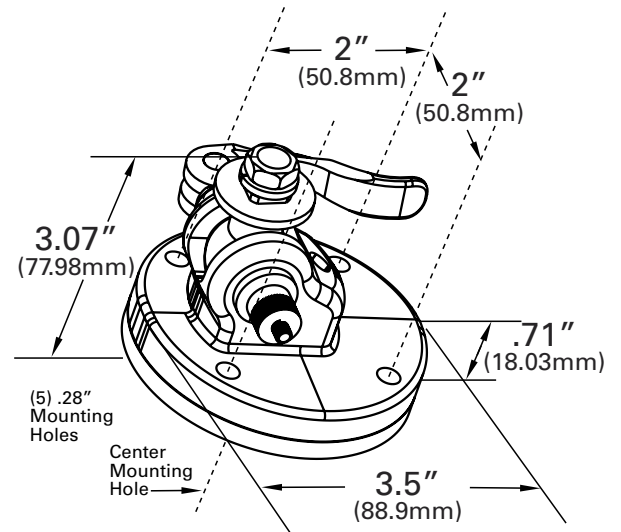


Adjustable Bracket for Trilliant™

Product Information Sheet

PIGTAILS, GROMMETS AND BRACKETS



No tools required to adjust! This unique mounting option allows easy light positioning of the Trilliant™ LED Whitelight™.

PRODUCT FEATURES AND BENEFITS

- Adjustable and lockable bracket for the Trilliant™ LED Whitelight™ lamps
- Gives more aiming control than the standard bracket and additional reliability
- Cantilever locking mechanism stays in place in even the most harsh environment

PRODUCT SPECIFICATIONS

MATERIAL: ZINC
FINISH: BLACK/WHITE

Part Number	Market	Light Source	Operating Voltage	Amperage	Interchange
43652 - BLACK	UTILITY LIGHTING APPLICATIONS	NA	NA	NA	NA
43651 - WHITE	UTILITY LIGHTING APPLICATIONS	NA	NA	NA	NA

grote.com

2600 Lanier Drive, Madison, Indiana U.S.A. 47250-0550

U.S. 800.628.0809 Canada 800.268.5612

Grote

The first name in vehicle safety systems®