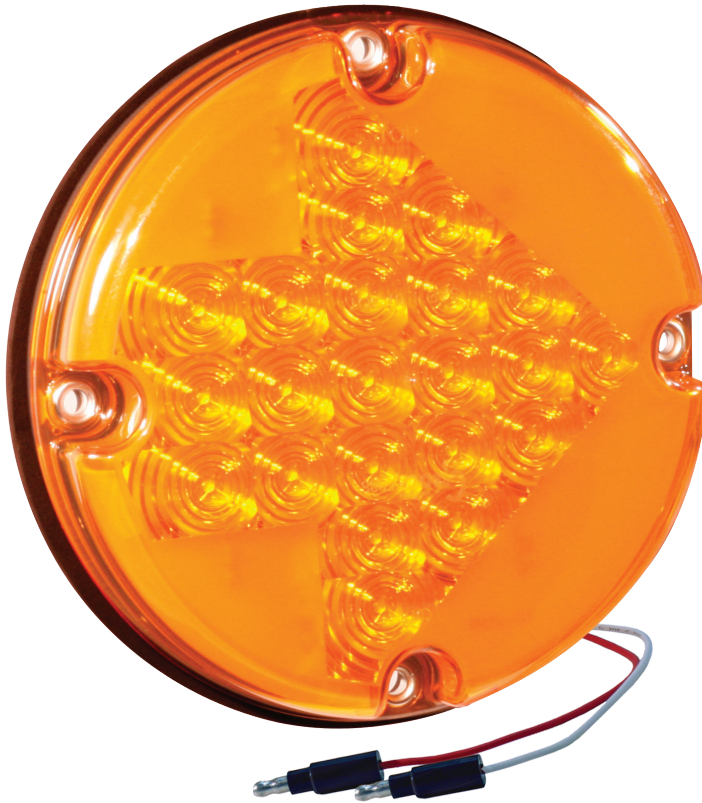


7" Arrow Lens LED Lamp

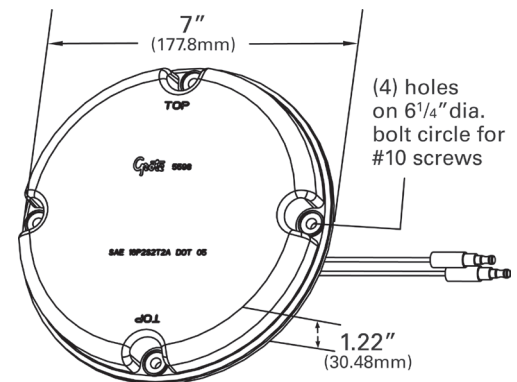
Data Sheet

STOP/TAIL/TURN LIGHTING



PRODUCT SPECIFICATIONS

Material: Polycarbonate
Finish: Amber
FMVSS Code: I
Bulb: LED
Voltage/AMP: 12V/.327 AMP
Mounting Bracket: 93982



The best way to make sure you are pointed in the right direction

- Large arrow pattern makes it easier for road traffic to identify turning vehicles
- Hardwired with .180 Slim-line UBS Male Terminals for easy harness installation
- Surface mount for easy installation
- Encapsulated circuit board for corrosion and vibration resistance, increasing life of the lamp
- Meets requirements for Front, (> 100 mm from head lamp) and Rear Turn
- Meets FMVSS 108 Front and Rear Turn requirements
- Auxiliary for Mid-Turn and/or Wide Turn indications

Part Number	Light Source	Operating Voltage	Current Draw
53883	LED	12 V	.327 AMP

2600 Lanier Drive, Madison, Indiana U.S.A. 47250-0550

U.S. **800.628.0809** Canada **800.268.5612**

Europe **+49 9962/20008-0** Mexico **011 (52) 81-8262-4400**

GLB2015-89

grote.com