

4" LED Dome Lamp

Product Data Sheet

July 2007

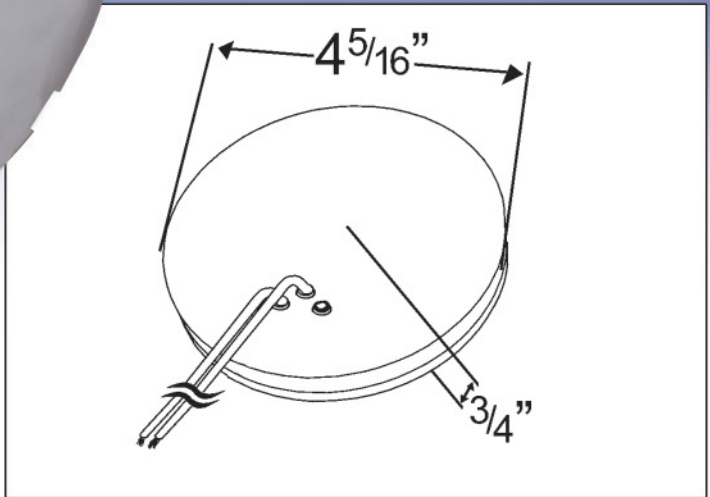
LED WhiteLight™ BRIGHTER LIGHT
BETTER PERFORMANCE

INNOVATION by Grote Industries, Inc.



61171
switchable
surface mount
dome lamp
shown here

- 3X brighter than existing 4" dome lamps
- Low power consumption for efficient light output
- Long-life LEDs
- Rated to 50,000 hours



Product Features and Benefits:

- Enhanced light pattern for better working environment
- Multiple mounting configurations provide varied usage opportunities
- Hard wired for easy integration into current wiring system
- Lightweight plastic construction
- Low amp draw means less load on strained electrical system

- 61971** - Lamp only
 - 61361** - Lamp with PL3 plug
 - 61171** - Switchable surface mount dome lamp
- Material: Polycarbonate
Finish: White
- 94540** Optional Surface Mount Bracket, Gray ABS
5²⁹/₃₂" x 1¹³/₆₄" tall without switch

Part Number	Market	Light Source	Operating Voltage	Current Draw	Interchange
61971 (61971-3 Bulk)	All Dome Applications	LED	13.5V	.6A	N/A
62081 (Lamp with PL3 plug)					



The first name in
vehicle safety systems®

2600 Lanier Drive Madison, Indiana U.S.A 47250-0550
U.S. 800.628.0809 Canada 800.268.5612

www.grote.com

GLB-2007-11