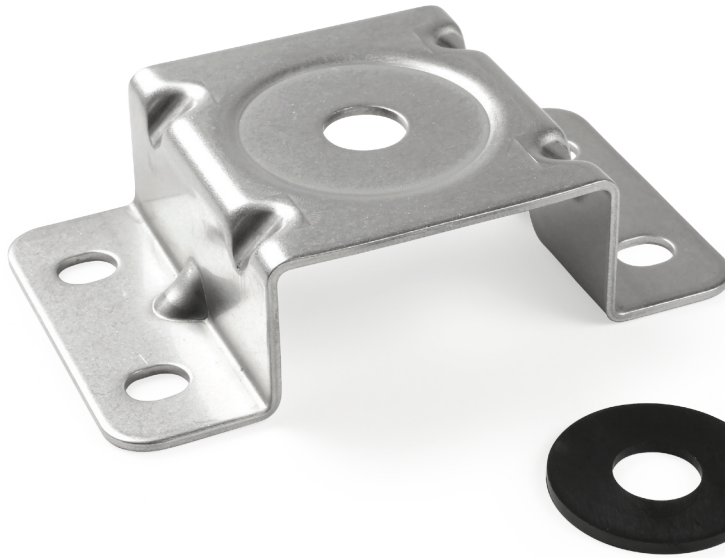


Stainless Steel Worklamp Mounting Bracket

Data sheet

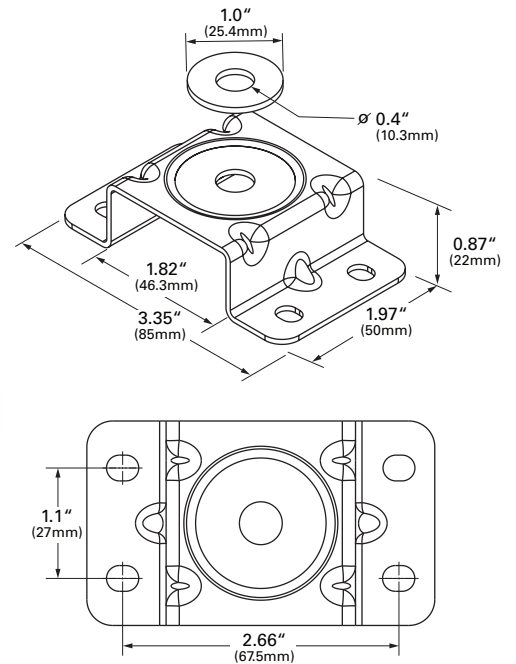
PIGTAILS, GROMMETS AND BRACKETS



PRODUCT SPECIFICATIONS

MATERIALS

16GA Stainless Steel
Black Flat Nylon Washer



Protect your vehicle while allowing your work lamps to pivot.

Features & Benefits

- Bracket mounts directly to vehicle with stainless steel rivets or screws
- Designed for use with most Grote work lamps including Trilliant Ovals, Trilliant Cubes, Trilliant Minis, and BriteZone
- Robust construction to withstand multiple hours of vibration

Mounting Recommendations

- Length: 3.34 in. (85mm)
- Use M6 fasteners (not included) for installation

PART NUMBER	DESCRIPTION	PACK QUANTITY
94450	STAINLESS STEEL WORK LAMP MOUNTING BRACKET	10

2600 Lanier Drive, Madison, Indiana U.S.A. 47250-0550

U.S. **800.628.0809** Canada **800.268.5612**

Europe **+49 9422 40331-0** Mexico **+(52) 818262 4412** China **+86.21.5774.9633**

grote.com