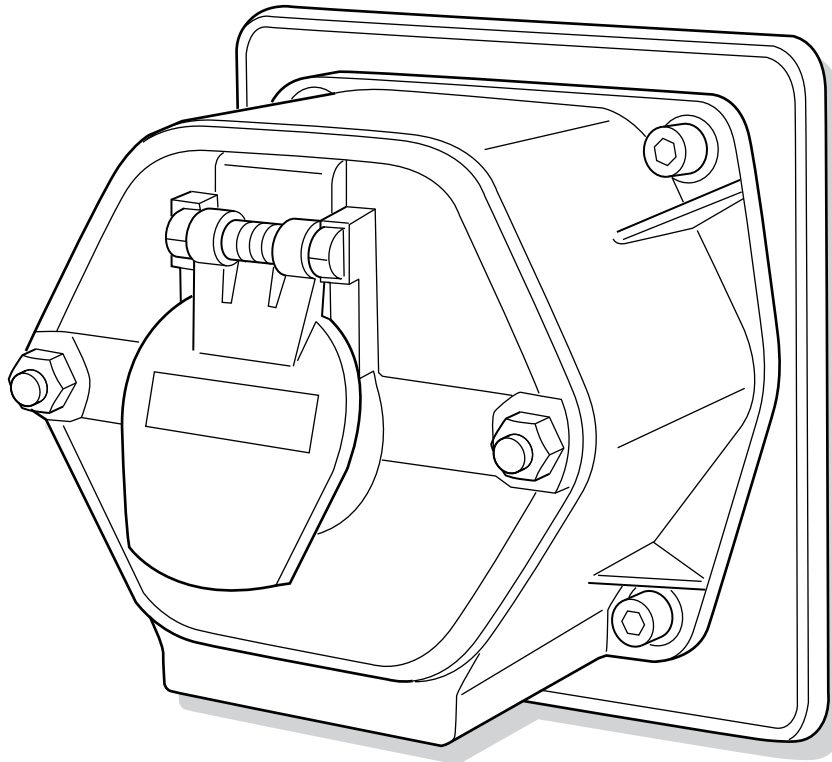


GROTE GUARDIAN[®]

HEX BOX INSTALLATION



Grote[®]

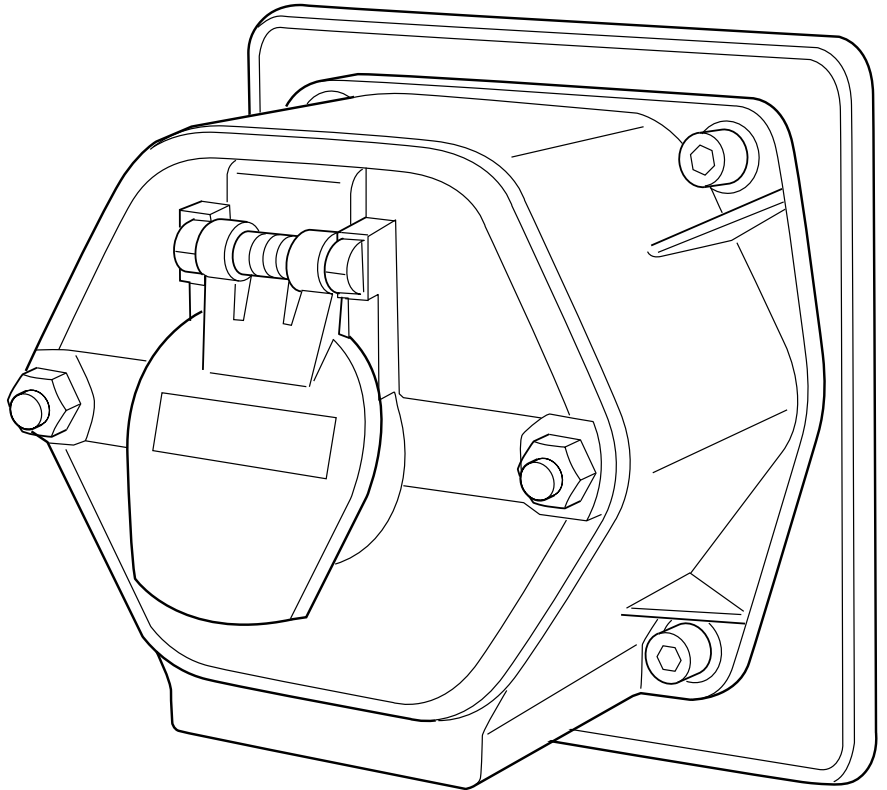
Grote Industries, LLC • 2600 Lanier Drive, Madison, IN 47250
Tel: 812.265.8410 Fax: 812-265-8874
Website: Grote.com

REV. 1-30-22

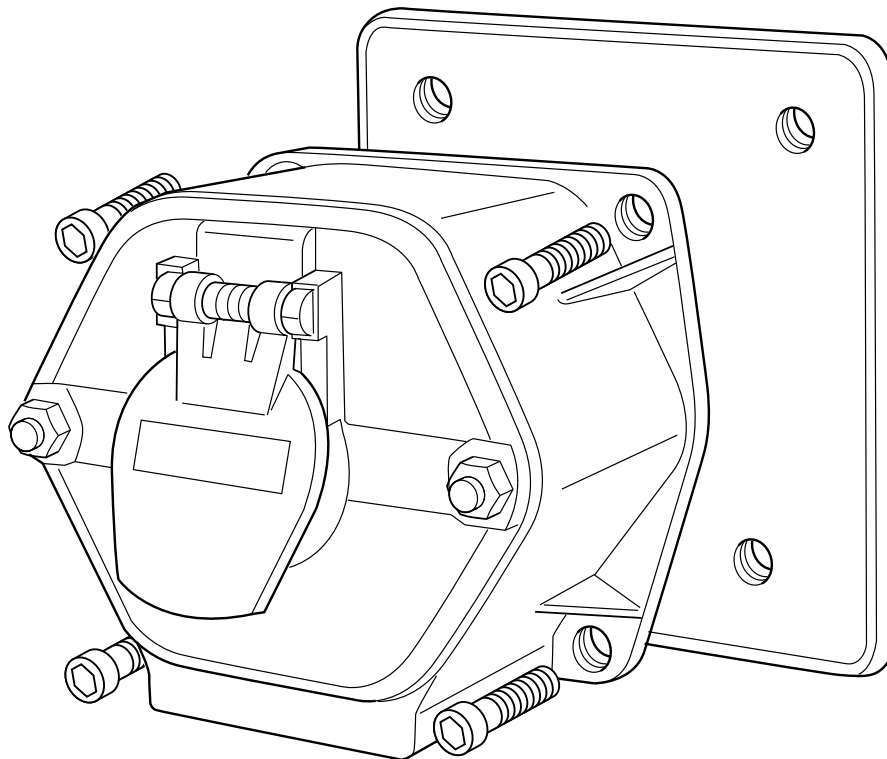
The **Grote Guardian** provides fleet operators with real-time status of their trailer lighting system for both LED and incandescent lamps, wirelessly monitoring and providing you with real-time alerts, notifications and reports for better fleet control. The results? The ideal combination of increased safety and uptime with decreased maintenance and CSA costs.

Installing the **Grote Hex Box** will allow your trailer to communicate with the Grote Guardian.

DISCLAIMER: Grote Guardian is not compatible with low-profile nose boxes. If you are currently using low-profile nose box and plan to retrofit Grote Guardian, you will need to replace the low-profile nose box with a deeper nose box.



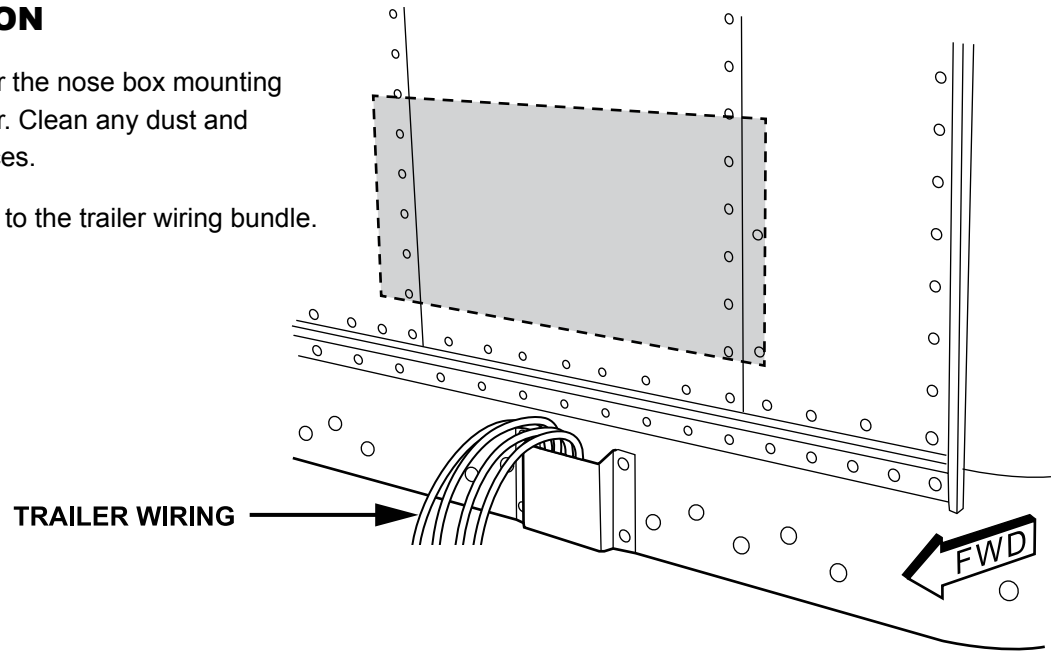
NOTE: If you are replacing an existing nose box, skip to step 4 of the instructions.



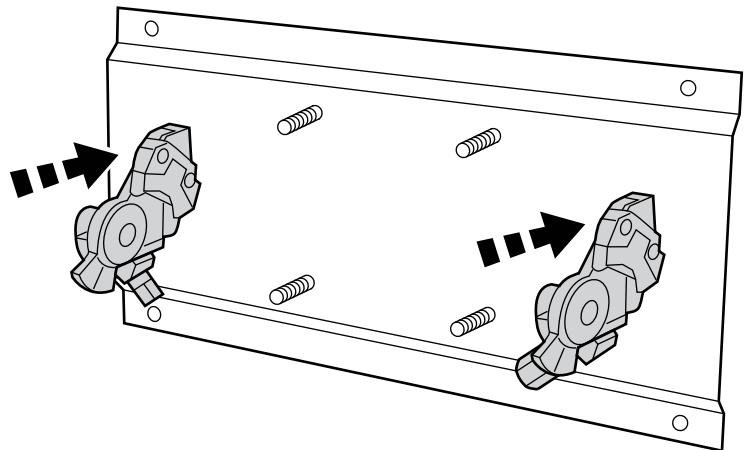
HEX BOX INSTALLATION

- 1) Determine the best location for the nose box mounting plate on the front of your trailer. Clean any dust and grime from all mounting surfaces.

NOTE: Be sure you have access to the trailer wiring bundle.

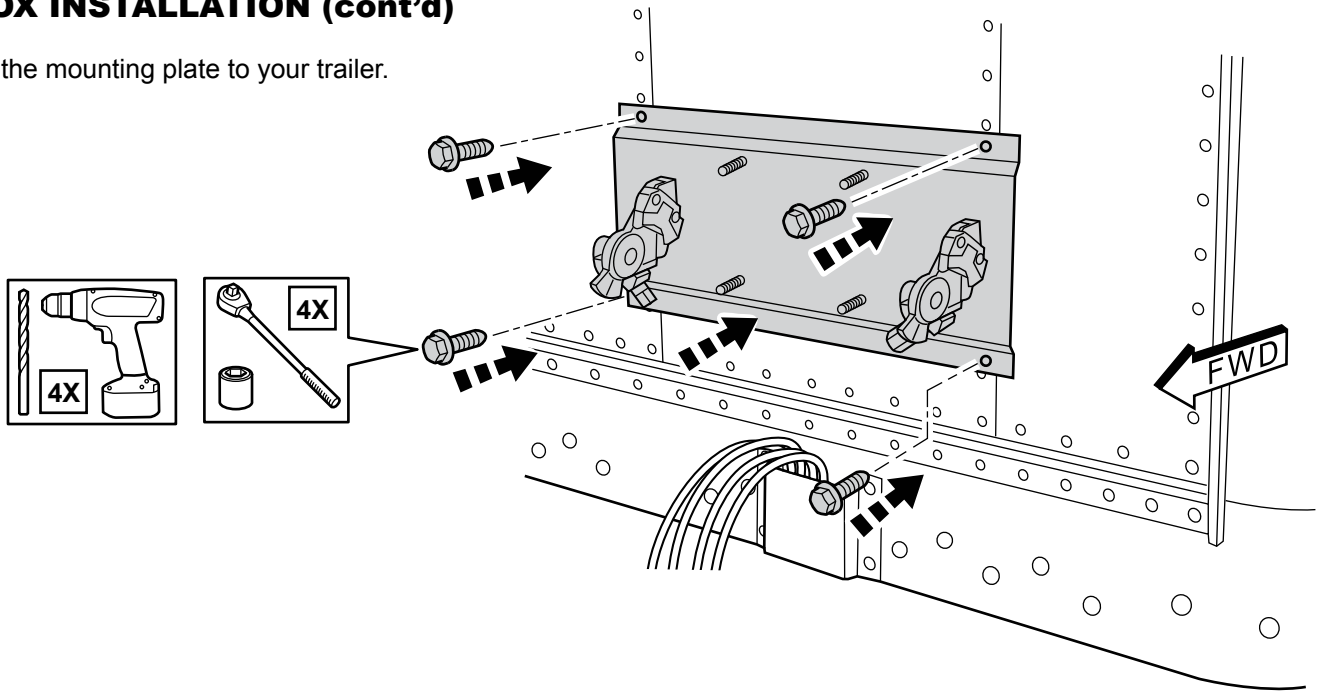


- 2) Mounting plate for nose box and gladhands with gladhands shown before nose box installation.

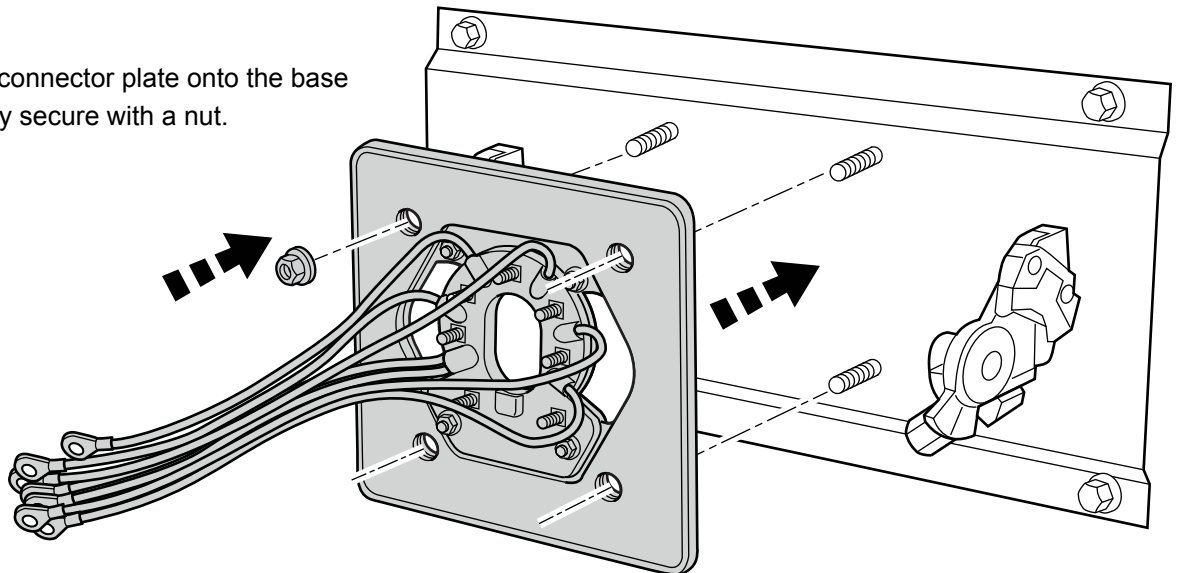


HEX BOX INSTALLATION (cont'd)

3) Secure the mounting plate to your trailer.



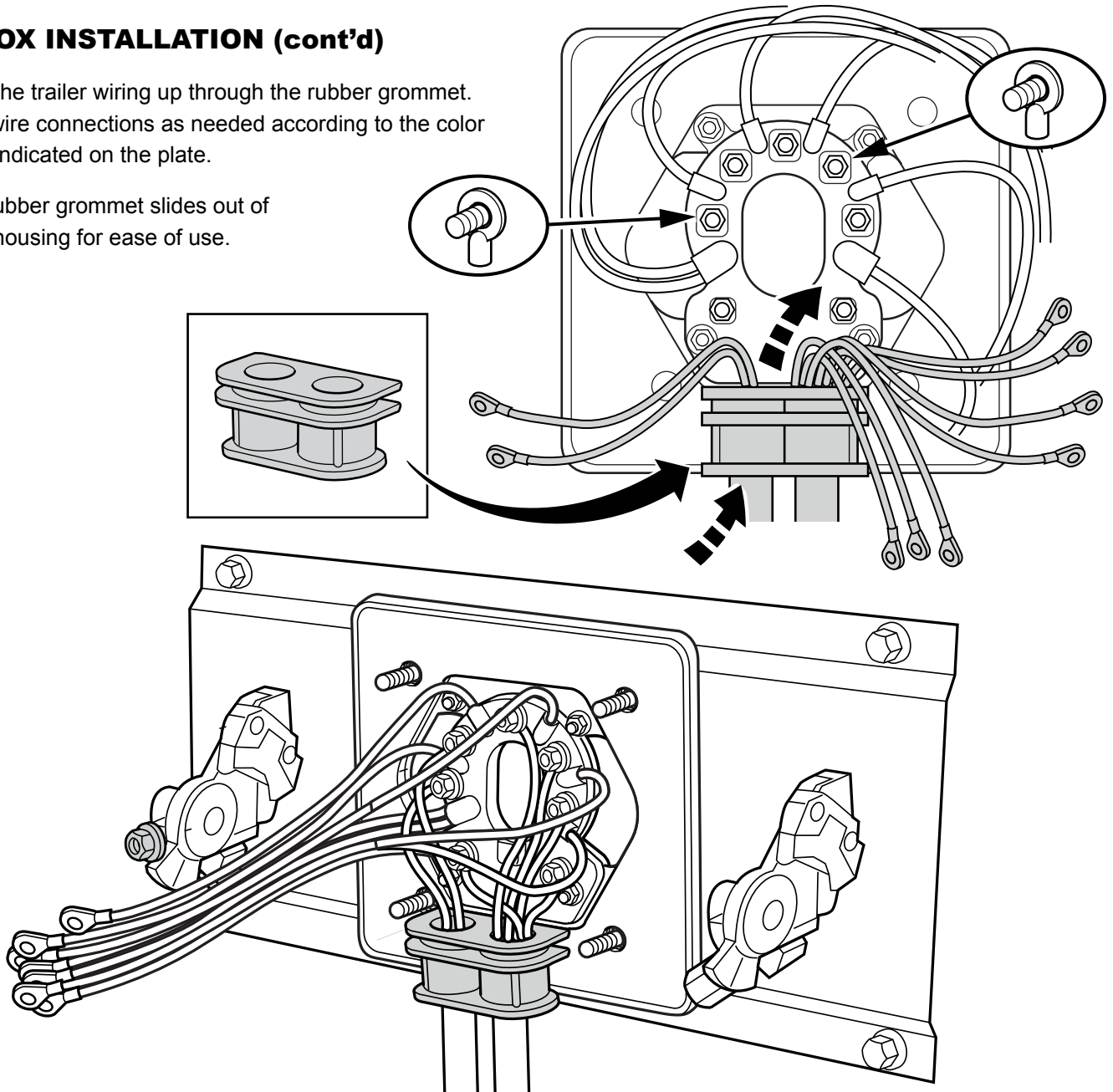
4) Mount the Hex Box connector plate onto the base plate and temporarily secure with a nut.



HEX BOX INSTALLATION (cont'd)

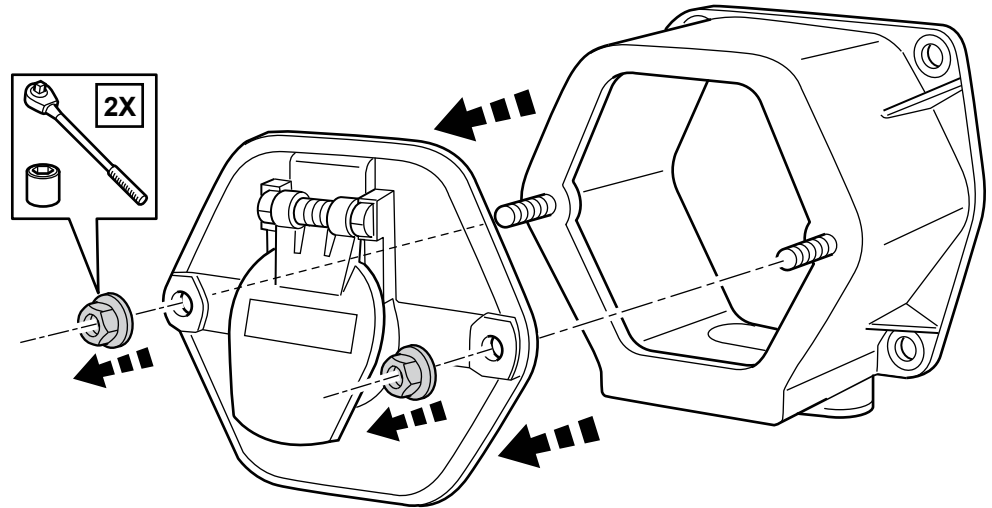
- 5) Route the trailer wiring up through the rubber grommet.
Make wire connections as needed according to the color codes indicated on the plate.

NOTE: Rubber grommet slides out of Hex Box housing for ease of use.

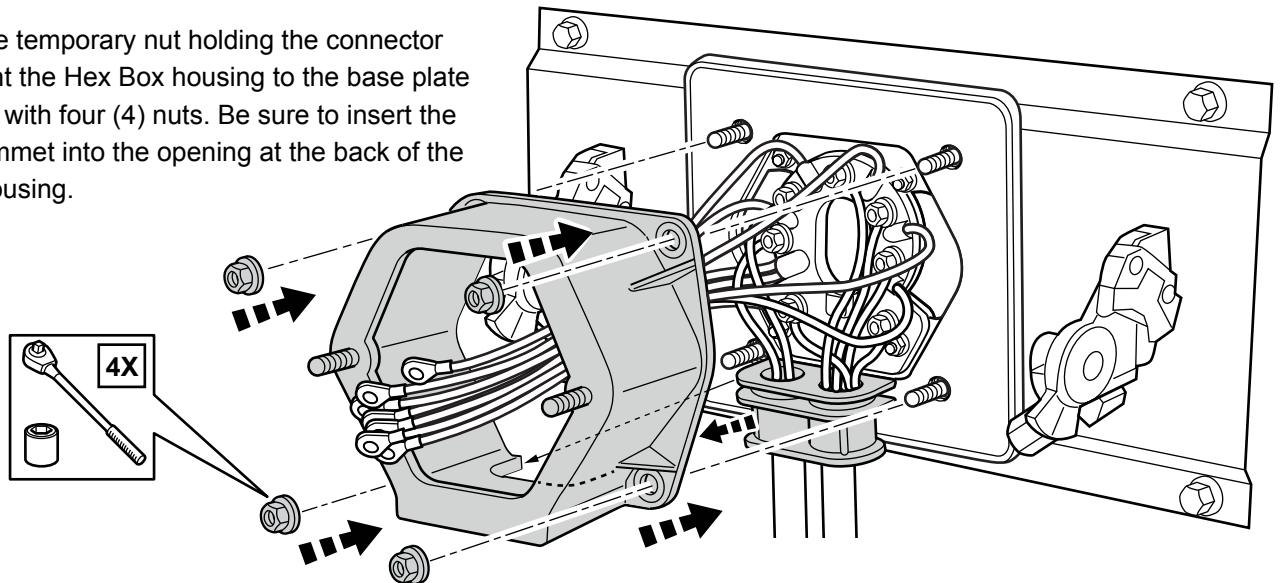


HEX BOX INSTALLATION (cont'd)

6) Remove the J560 plate from the Hex Box assembly

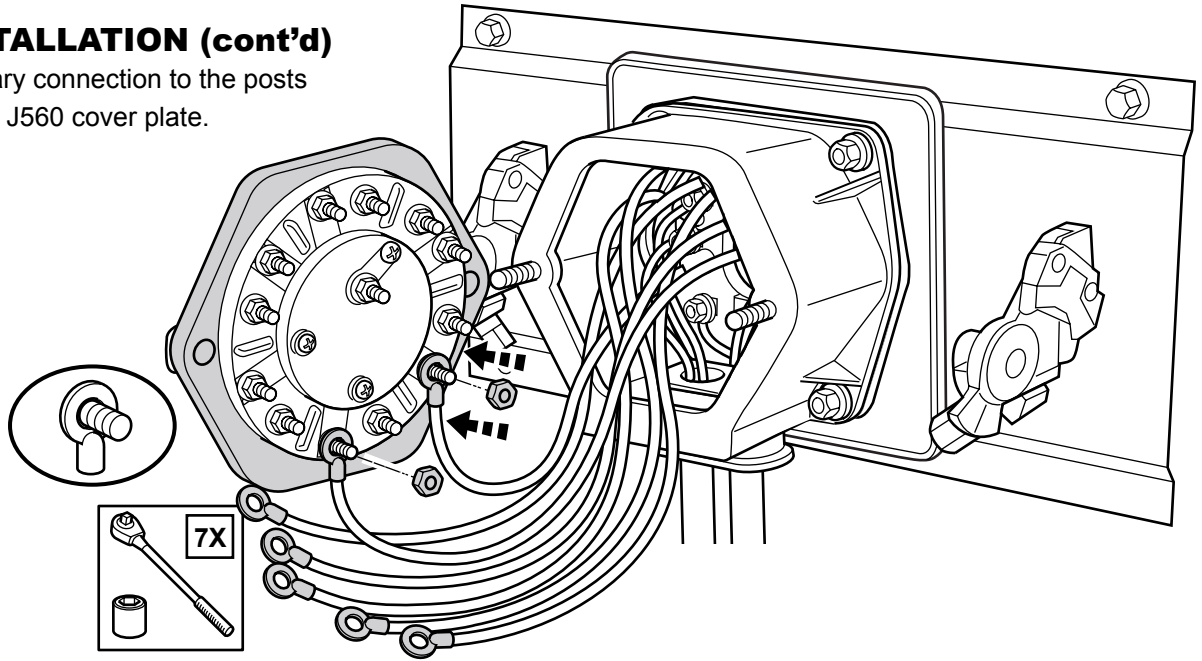


7) Remove the temporary nut holding the connector plate. Mount the Hex Box housing to the base plate and secure with four (4) nuts. Be sure to insert the rubber grommet into the opening at the back of the Hex Box housing.

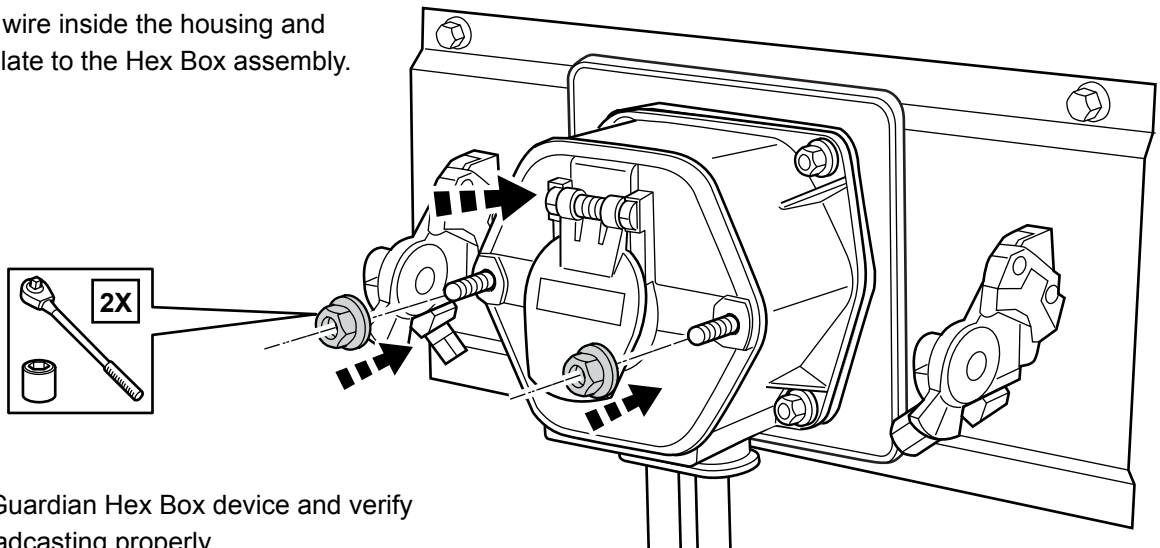


HEX BOX INSTALLATION (cont'd)

8) Make the necessary connection to the posts on the back of the J560 cover plate.



9) Bundle the excess wire inside the housing and reinstall the J560 plate to the Hex Box assembly.



10) Power cycle the Guardian Hex Box device and verify the system is broadcasting properly.



Grote Industries, LLC. • 2600 Lanier Drive, Madison, IN 47250
Tel: 812.265.8410 Fax: 812-265-8874
Website: Grote.com