

Grote Ultra Seal G7

Data Sheet

PRODUCT SPECIFICATIONS

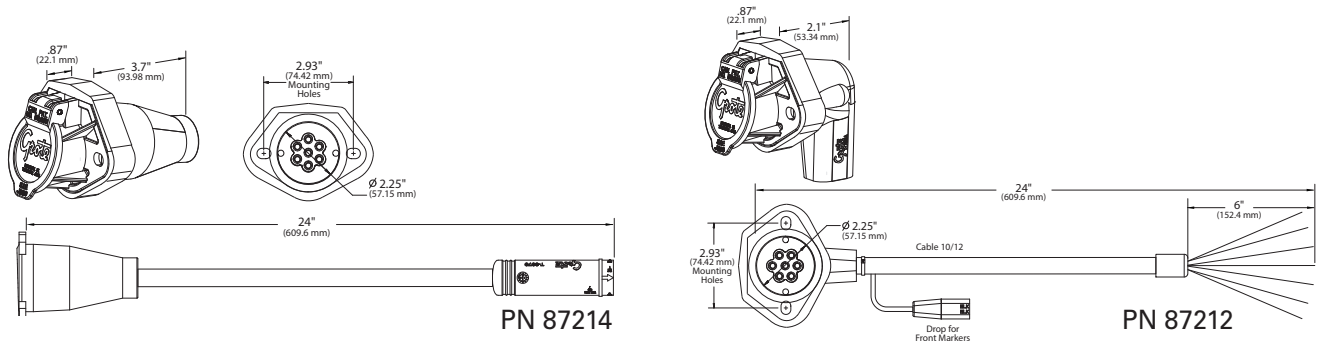
MATERIALS

Receptacle - Diecast Zinc

Mounting Gasket and Plug - PVC

SAE

J560b



Grote's Ultra Seal G7 sets the standard for low-profile, water-resistant harness connection.

- Spacer made of a thicker, and harder durometer PVC that resists deforming under mounting pressure.
- Flush mount design allows water to be directed away from the wire exit hole in the trailer.
- Two alignment pins aid in installation, allowing for easier terminal connections.
- Plug design seals the back of the receptacle.
- Receptacle is recessed into the gasket for sealing.
- Receptacle is non-rust, diecast zinc with solid brass pins.

Part Number	Description	Length	Gauge
87215	Straight Plug & Receptacle with 7-Way Male	24in/609.6mm	8/10/10/12
87214	Straight Plug & Receptacle with 7-Way Female	24in/609.6mm	10/12
87212	90° Plug & Receptacle Blunt Cut	24in/609.6mm	10/12
87211	90° Plug & Receptacle with 7 Standard Females	24in/609.6mm	10/12
87210	90° Plug & Receptacle with 7-Way Female	24in/609.6mm	10/12

2600 Lanier Drive, Madison, Indiana U.S.A. 47250-0550

U.S. **800.628.0809** Canada **800.268.5612**

Europe **+49 9962/20008-0** Mexico **011 (52) 81-8262-4400**

grote.com

