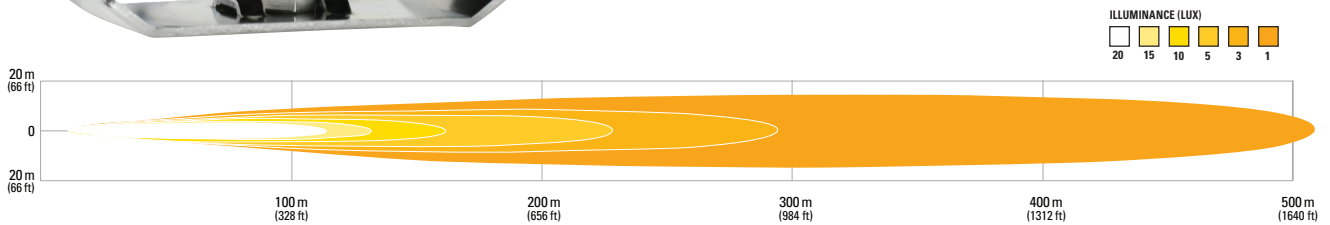
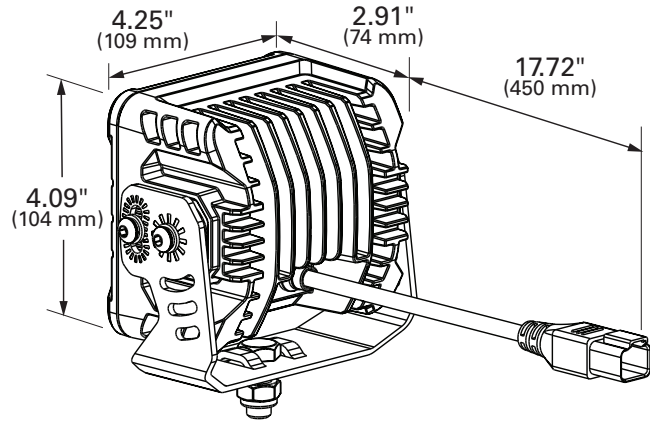


TRILLIANT® II SPOT WORK LAMP



DATA SHEET

WORK LIGHTING



With a powerful output and narrow focus, the Trilliant II Spot Work Lamp is ideal for pinpointing distant objects and areas.

- Tested to meet the challenges of demanding off-road applications like agriculture, construction, utility, and emergency vehicles.
- Compact size delivers performance comparable to much larger lamps.
- Sealed lamp protects against moisture and particle intrusion – IP67 and IP69K
- Includes heat management and transient protection technology for enhanced LED life

PRODUCT SPECIFICATIONS

MATERIALS

LENS: Polycarbonate
HOUSING: Black Powder Coated Aluminum

OPTICAL CHARACTERISTICS

OPERATING RANGE: 12/24v, 27W
EFFECTIVE LUMENS: 3080
Beam Angle 50% max at 2.5°

ELECTRONIC CHARACTERISTICS

Over Voltage, Load Dump, Reverse Voltage, Neg/Pos Switching, EMI - CISPR25 Class 4

MECHANICAL CHARACTERISTICS

CONNECTOR: DT with Cable
CORROSION: SAE J575 – 240h
CHEMICAL RESISTANCE: yes
IP RATING: IP67, IP69, Thermal Shock Dunk

CERTIFICATION

CE
R10
RoHS

PART NUMBER	DESCRIPTION	POWER CONSUMPTION	EFFECTIVE LUMENS	VOLTS
64Z51	SPOT WORK LAMP	27 WATTS	3080	12/24 VOLTS

Grote Industries, Inc. 2600 Lanier Drive, Madison, Indiana U.S.A. 47250-0550
 U.S. 800.628.0809 | Europe +49 9422 40331-0 | China +86.21.5774.9633
 Canada 800.268.5612 | Mexico +(52) 818262 4412

