

TRILLIANT® CUBES

FROM GROTE



ALUMINUM
CONSTRUCTION

9-32V

MULTI-VOLT
DESIGN

OPTICAL CHARACTERISTICS

Illuminance	3000	2000
	Calculated: 4200 lm	3100 lm
	Instant-on (t ₀): 3530 lm	2580 lm
	Continuous (t ₃₀): 3040 lm	2200 lm
Color temperature (CCT)	5700 K	
Color rendering index (CRI)	70	
Efficacy	68 lm/W	

ELECTRICAL CHARACTERISTICS

Input current	2000: 2.6 A (14 V) and 1.3 A (28 V) 3000: 3.2 A (14 V) and 1.6 A (28 V)
Inrush current	Nominal input current is not exceeded
Power consumption	2000: 37 W 3000: 45 W
Input connector	Deutsch DT, Superseal
Operating temperature range	-40°C to +50°C / -40°F to 122°F
Reverse polarity protection	✓
Overheat protection	✓
ESD, overvoltage and transient protection	✓

MECHANICAL CHARACTERISTICS

Dimensions	100x100x75 mm (HxWxD)
Weight	720 g
Materials	Lens: Scratch and UV resistant hard coated polycarbonate Housing: Aluminium powder-coated
Color	Black
IP Code	IP69K
Mounting	Pendant (screw M10)
Maximum storage temperature	-55°C to +110°C / -67°F to 230°F
Impact and shock resistance	50 G
Vibration resistance	5 G (5 - 500 Hz)

CUBE WORK LIGHTS: LEADING EDGE FEATURES AND ENHANCED FUNCTIONALITY



Long Range



Close Range

FEATURES & BENEFITS

- 10 x10cm housing with a reduced depth of only 75 mm
- Die-cast aluminium housing and stainless steel mounting bracket for toughest environmental conditions
- Scratch resistant and UV-proof hard coated polycarbonate lens
- Sealed lamp resists particle and water intrusion which meet IP69K
- Includes heat management and transient protection technology for enhanced LED life

PART#	BEAM PATTERN	LUMENS	TERMINATION	VOLTS
63W21	CLOSE RANGE	2200	DEUTSCH DT	9-32V
63W41	LONG RANGE	3040	DEUTSCH DT	9-32V
63W61	CLOSE RANGE	3040	DEUTSCH DT	9-32V
63W71	CLOSE RANGE	3040	SUPERSEAL	9-32V
63K41	LONG RANGE	3040	DEUTSCH DT	12-28V



EZ-FIND
SCAN FOR TECH SPECS,
RELATED PRODUCTS
AND MORE

FOR MORE INFORMATION
VISIT OUR WEBSITE.
GROTE.COM



TRILLIANT® CUBES

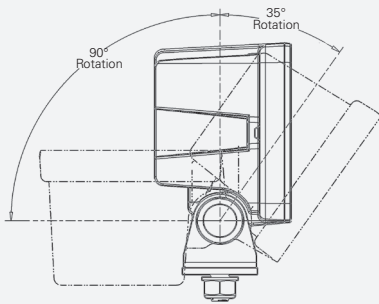
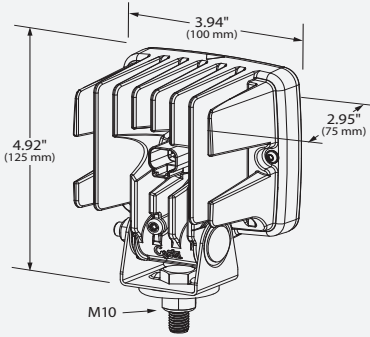
FROM GROTE



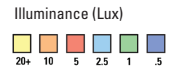
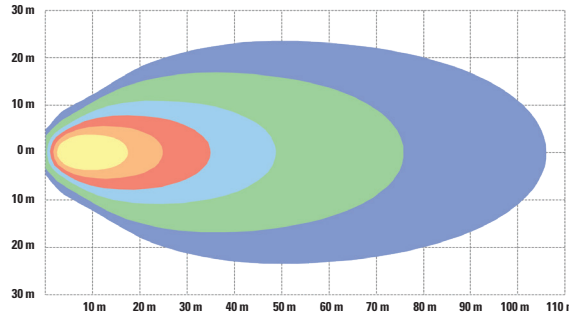
ALUMINUM
CONSTRUCTION

9⁺32V

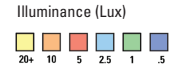
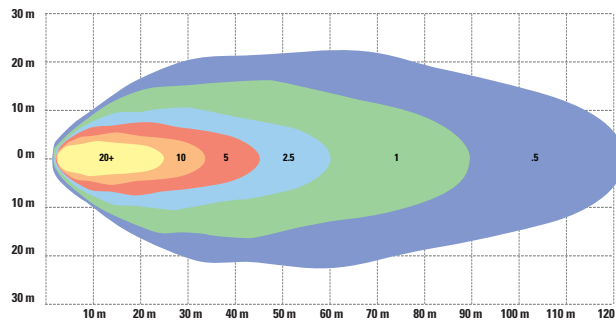
MULTI-VOLT
DESIGN



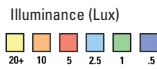
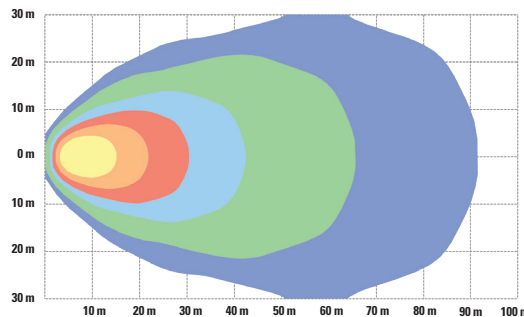
Long Range - IsoLux (63W41)



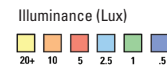
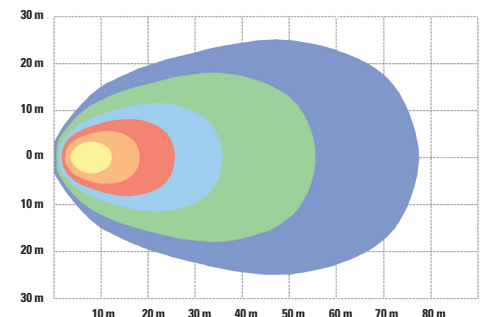
Long Range - IsoLux (63K41)



Close Range - IsoLux (63W61, 63W71)



Close Range - IsoLux (63W21, 63W31)



EZ-FIND
SCAN FOR TECH SPECS,
RELATED PRODUCTS
AND MORE

FOR MORE INFORMATION
VISIT OUR WEBSITE.
GROTE.COM

