

# Trilliant<sup>®</sup> Oval

## 1200 Lumen LED Work Lamp

FORWARD LIGHTING



### PRODUCT SPECIFICATIONS

#### MATERIALS

UV Resistant, Hard-Coated Polycarbonate Lens  
Black Powder-Coated, Die-Cast Aluminum Housing  
Stainless Steel Mounting Hardware

#### RATINGS AND COMPLIANCES

Ingress Protection: IP69K  
SAE J575E Compliant  
Nominal Operating Ambient Temperatures: -40 to 50 degrees C (-40 to 122 degrees F)  
Storage Ambient Temperatures: -55 to 100 degrees C (-67 to 212 degrees F)

#### LIGHT ENGINE

LED  
Correlated Color Temperature (CCT): 6500K  
Color Rendering Index (CRI): 70  
Lifetime: 50,000 Hours (L70)  
Efficacy: 50 Lumens per Watt  
Effective Light Output: 1200 Lumens

#### OPTICS

Reflector Optics  
Beam Patterns: Flood and Wide Flood

#### ELECTRONIC CHARACTERISTICS

12 Volts (2 A) and 24 Volts (1 A) Input Voltage  
Bi-Voltage Circuit  
Over Voltage Protection  
EMC Rated - 72 / 245 / EEC

## All the advanced electronics, lighting performance, and ruggedness of Grote's Trilliant Cube family now in an attractive oval design.

- Quality electronic components and advanced Grote circuit design provides electronically quiet operation, consistent light output, and protection from voltage spikes and electromagnetic interference.
- Premium LEDs produce white light that reduces eye fatigue and operator stress.
- Rugged design withstands heavy vibration, corrosion, moisture, and dust.
- Sophisticated reflector optics put more light on the task.
- Multiple connector options, DT-2 Pin and Amp SuperSeal, increase operational flexibility.
- Advanced circuit design and thermal management ensures consistent light output for the life of the lamp.

Part Number	Termination	Beam Pattern	Operating Voltage (V)	Amperage (A)
63F81-5	AMP SUPERSEAL	FLOOD	12/24	2/1
63F81	AMP SUPERSEAL	FLOOD	12/24	2/1
63F91	AMP SUPERSEAL	WIDE FLOOD	12/24	2/1
63G01	DEUTSCH	FLOOD	12/24	2/1
63G11	DEUTSCH	WIDE FLOOD	12/24	2/1

2600 Lanier Drive, Madison, Indiana U.S.A. 47250-0550

U.S. 800.628.0809 Canada 800.268.5612 Europe +49 9962/20008-0

[grote.com](http://grote.com)

**Grote**

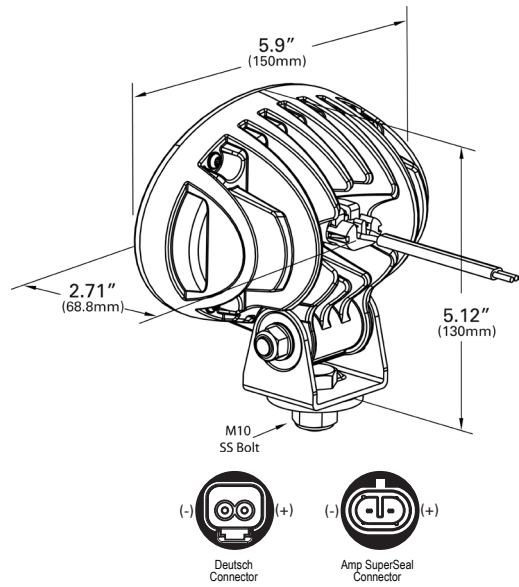
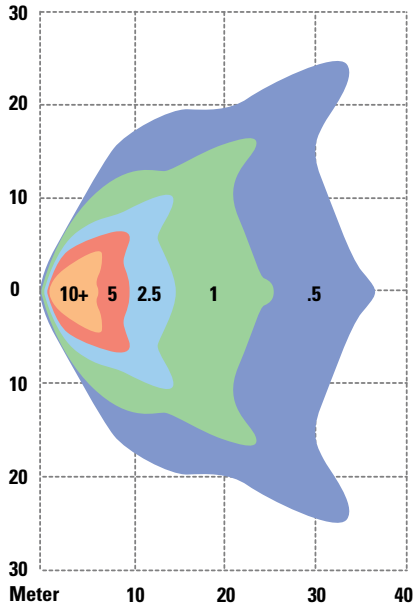
The first name in vehicle  
safety systems<sup>®</sup>

# Trilliant<sup>®</sup> Oval

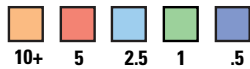
## 1200 Lumen LED Work Lamp

FORWARD LIGHTING

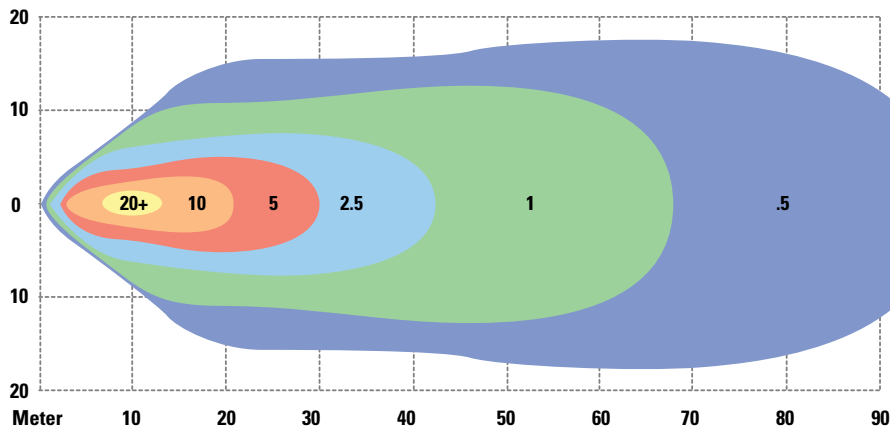
### Wide Flood



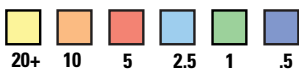
Illuminance (Lux)



### Flood



Illuminance (Lux)



2600 Lanier Drive, Madison, Indiana U.S.A. 47250-0550

U.S. 800.628.0809 Canada 800.268.5612 Europe +49 9962/20008-0

[grote.com](http://grote.com)

**Grote**

The first name in vehicle safety systems<sup>®</sup>