

# Trilliant® Cube LED WhiteLight™ Work Lamp

Data Sheet

WORK LIGHTING



LED performance in a new rugged package provides mounting flexibility, small size, and powerful performance

- Best solution for the most demanding requirements and ambient conditions, provided by using pressure die castings in aluminum for the housing and in stainless steel for the fastening elements (non-rusting).
- Hardened lens to prevent scratches or fading on exposure to the sun
- High efficiency; 1200 Lumen/23 Watt = 52 Lumen/Watt
- Available in Flood, Wide Flood, and Near Flood beam patterns.
- Leak proof sealed lamp is certified IP69K; stands up to scratches, pressure washing, and harsh weather.
- Available with Hard Shell Superseal and Deutsch connector options.

## PRODUCT SPECIFICATIONS

### MATERIALS

Plug connector type: Deutsch / or Hard Shell Superseal plug connection (for the Near Flood versions)  
 Operation at ambient temperature with full light output: -40 °C to 50 °C (-40 °F to 122 °F)  
 Storage temperature: -40 °C to 100 °C (-40 °F to 122 °F)  
 Housing material: Aluminum pressure die casting, black powder coated  
 Lens: PC, UV-resistant and with anti-scratch coating  
 Temperature management: Optimized design of the cooling fins  
 Assembly options: Standard bracket with M10 screw

### ELECTRICAL PROPERTIES

Input voltage: 9 V - 16 V or 18 V - 32 V  
 Power draw: 23 W (12 V) or 25 W (24 V)  
 Voltage Amp: 1.9 A for 12 V or 1.04 A for 24 V  
 Electrical protection: Reverse polarity, ESD, excess voltage

### LIGHT INTENSITY

Light emitting efficiency: 55 (Lumen per Watt)  
 Optical performance: Wide Flood, Flood, and Near Flood  
 Color rendering index (CRI): 69  
 Effective range (5 Lux on ground): Wide Flood illumination 12 m (39 ft.); Flood illumination 23 m (75 ft.)  
 Effective area of dispersal (5 Lux on ground):  
 Wide Flood illumination: 7 m (23 ft.);  
 Flood illumination: 7 m (23 ft.)

### TESTS & CERTIFICATES

Shock test: EN 60068-2-6:1996, EN 60068-2-64:1995, EN 60068-2-29:1993, EN 60068-2-27:2009, EN 60068-2-32:1993  
 Thermal stress test: EN 60068-2-2:2007, IEC 60068-2-14:2009  
 Protection type: IP69K (ISO 20653), FMVSS108 14.5.2, FMVSS108 14.5.3, ISO 20653-IP6, EN 60068-2-30:2005  
 Corrosion: FMVSS108 S14.5.4  
 Storage temperature test: ISO 16750-4:2003  
 Light output: IESNA LM-79  
 EMC Certificate, UN Guideline: 72/245/EEC, CE, CISPR 25 Class 5, R10, R23\*

Part Number	Termination	Beam Pattern	Color Temp.	Operating Voltage (V)	Amperage (A)	Effective
63981	HARD SHELL SUPERSEAL	FLOOD	6500	12/24	1.4/7A	1200
63981-5	HARD SHELL SUPERSEAL	FLOOD	6500	12/24	1.4/7A	1200
63991	HARD SHELL SUPERSEAL	WIDE FLOOD	6500	12/24	1.4/7A	1200
63991-5	HARD SHELL SUPERSEAL	WIDE FLOOD	6500	12/24	1.4/7A	1200
63E21	DEUTSCH	FLOOD	6500	12/24	1.4/7A	1200
63E31	DEUTSCH	WIDE FLOOD	6500	12/24	1.4/7A	1200
63L21	DEUTSCH	NEAR FLOOD	5700	9-32 V	0.75/1.5 A	1200
63U01	DEUTSCH	FLOOD	5700	12 V	1.9 A	1200
63U41	DEUTSCH	NEAR FLOOD	5700	12 V	1.9 A	1200
63U41-3	DEUTSCH	NEAR FLOOD	5700	12 V	1.9 A	1200
63U51	DEUTSCH	NEAR FLOOD	5700	24 V	1.04 A	1200
63H31	DEUTSCH	FLOOD	6500	48 V	0.035 A	1200

2600 Lanier Drive, Madison, Indiana U.S.A. 47250-0550

U.S. 800.628.0809 Canada 800.268.5612

Europe +49 9962/20008-0 Mexico 011 (52) 81-8262-4400

grote.com

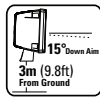
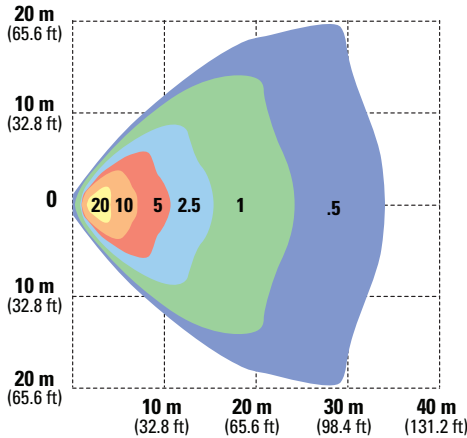


# Trilliant<sup>®</sup> Cube LED WhiteLight<sup>™</sup> Work Lamp

Data Sheet

WORK LIGHTING

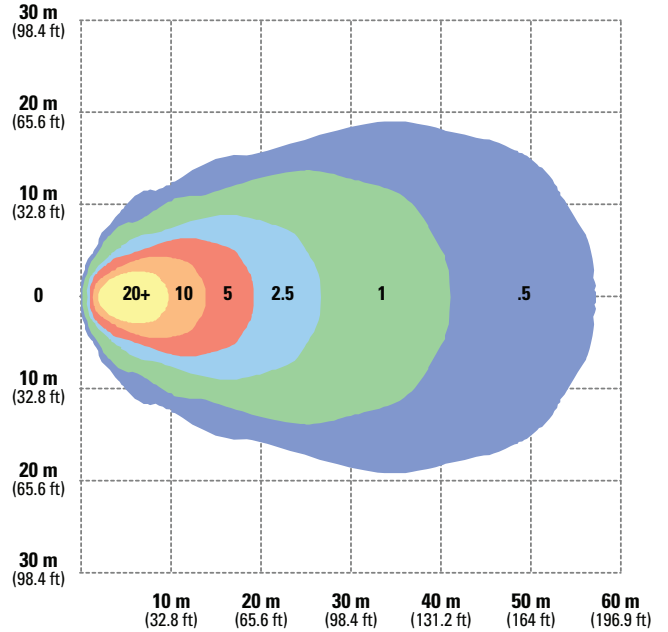
## Trilliant<sup>®</sup> CUBE Wide Flood - IsoLux



Illuminance (Lux)



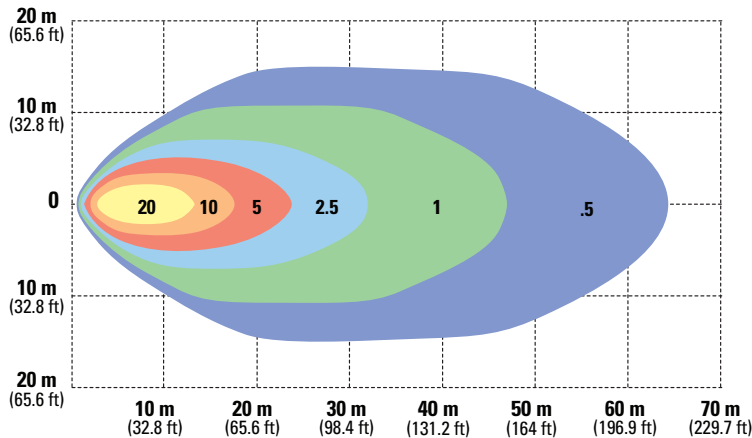
## Trilliant<sup>®</sup> CUBE Near Flood - IsoLux



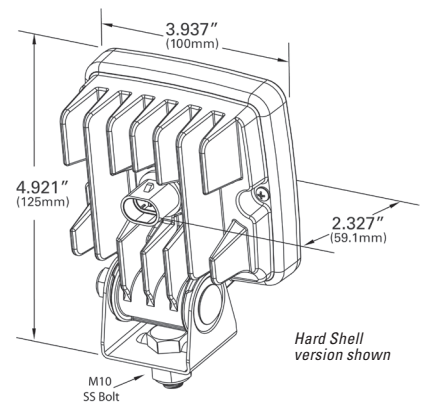
Illuminance (Lux)



## Trilliant<sup>®</sup> CUBE Flood - IsoLux



Illuminance (Lux)



Hard Shell version shown

2600 Lanier Drive, Madison, Indiana U.S.A. 47250-0550

U.S. 800.628.0809 Canada 800.268.5612

Europe +49 9962/20008-0 Mexico 011 (52) 81-8262-4400

grote.com