

Trilliant Cube 2.0 2800-3000 Lumen LED Work Lamp

Data Sheet

WORK LIGHTING



PRODUCT SPECIFICATIONS

MATERIALS

Connector Type: Deutsch, Hard Shell
 Ambient Operating Temperature (without thermal pullback):
 -40°F to 185°F (-40°C to 85°C)
 Ambient Storage Temperature: -40°F to 185°F (-40°C to 85°C)
 Housing Material: Die Cast Aluminum,
 Black Powder Coating Finish
 Lens Material: UV resistant, Hard Coated Polycarbonate
 Heat Management: Aluminum Fins

ELECTRICAL CHARACTERISTICS

Input Voltage: 10V-16V; 22V-32V; 12V; 24V
 Electrical Protection: Reverse polarity protection

OPTICS

Optical Package: Flood (Far Pattern); Wide Flood (Near Pattern)
 Correlated Color Temperature (CCT): 5700 K; 6500 K
 Color Rendering Index (CRI) 68; 70

Grote's sleek, rugged design with superior LED electronic circuitry outperforms lamps twice its size and weight.

- Quality electronic components and advanced Grote circuit design provides electronically quiet operation, consistent light output, and protection from voltage spikes and electromagnetic interference.
- Premium LEDs produce white light that reduces eye fatigue and operator stress.
- Rugged design withstands heavy vibration, corrosion, moisture, and dust.
- Sophisticated reflector optics put more light on the task.
- Multiple connector options, DT-2 Pin and Hard Shell SuperSeal, increase operational flexibility.
- Advanced circuit design and thermal management ensures consistent light output for the life of the lamp.

PN	TERMINATION	PATTERN	VOLTAGE	AMP DRAW	EFFECTIVE LUMEN
63F61	HARDSHELL SUPERSEAL	FLOOD	12	3	3000
63F71	HARDSHELL SUPERSEAL	WIDE FLOOD	12	3	3000
63F21	DEUTSCH	FLOOD	12	3	3000
63F31	DEUTSCH	FLOOD	24	1.5	3000
63F41	DEUTSCH	WIDE FLOOD	12	3	3000
63F51	DEUTSCH	WIDE FLOOD	24	1.5	3000
63L51	DEUTSCH	FLOOD	12/24	3/1.5	2800
63L61	DEUTSCH	WIDE FLOOD	12/24	3/1.5	2800
63L71	HARDSHELL SUPERSEAL	FLOOD	12/24	3/1.5	2800
63L81	HARDSHELL SUPERSEAL	WIDE FLOOD	12/24	3/1.5	2800

2600 Lanier Drive, Madison, Indiana U.S.A. 47250-0550

U.S. 800.628.0809 Canada 800.268.5612

Europe +49 9422 40331-0 Mexico +(52) 818262 4412 China +86.21.5774.9633

grote.com

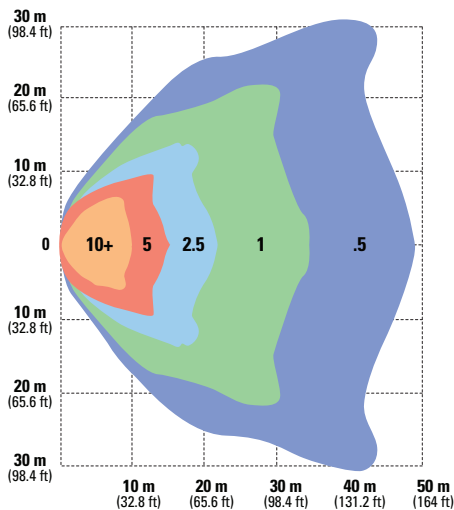


Trilliant Cube 2.0 2800-3000 Lumen LED Work Lamp

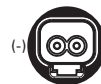
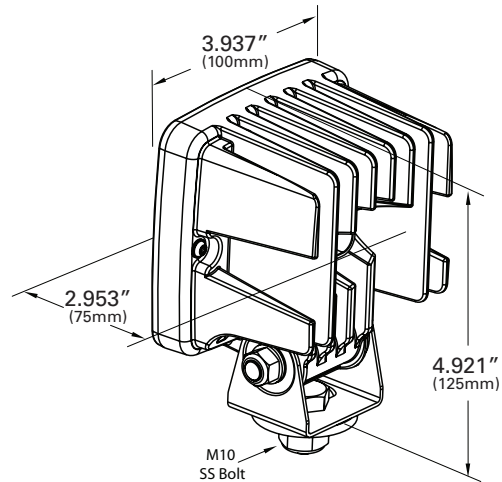
Data Sheet

WORK LIGHTING

Trilliant[®] Cube Wide Flood 3000 Lumen



Illuminance (Lux)

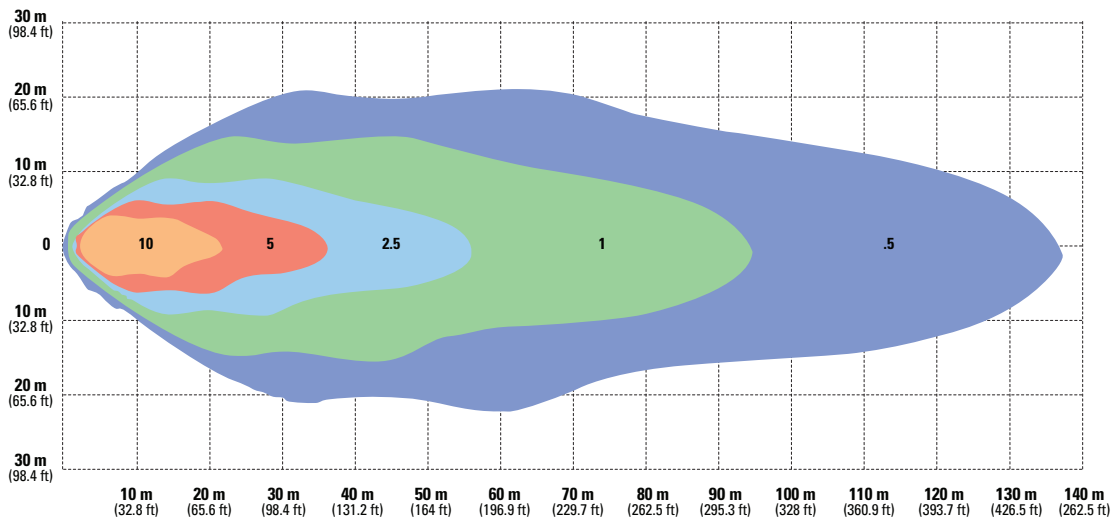


Deutsch Connector



Amp SuperSeal Connector

Trilliant[®] Cube Flood 3000 Lumen



Illuminance (Lux)



2600 Lanier Drive, Madison, Indiana U.S.A. 47250-0550

U.S. 800.628.0809 Canada 800.268.5612

Europe +49 9422 40331-0 Mexico +(52) 818262 4412 China +86.21.5774.9633

grote.com