

# TRILLIANT® 26 LED WORK LAMP

## 1800 LUMENS



ALUMINUM  
CONSTRUCTION

12/24V

DUAL  
VOLTAGE



GROTE  
LED

OEM

OEM  
SPEC

**MATERIALS**

Weight (Pinch mount including hardware): 0.879lb (398.5g)  
Connector Type: Mates with DT06-2S

Ambient Operating Temperature (without thermal pullback): -40F to 131F (-40C to 55C)

Ambient Storage Temperature: -67F to 212F (-55C to 100C)

Housing Material: Die Cast Aluminum, Black Powder Coated Finish

Lens Material: UV resistant, Hard Coated Polycarbonate

Heat Management: Radial Fin Array, Aluminum Fins

Mounting Options: Pinch or Pedestal bracket with M10 bolt

Flush Mount - Mounting clips are provided. Swivel mount

with press fit M8 bolt

Recommended screw EJOT DELTA PT 40 (length to be

determined by the customer)

**ELECTRONIC CHARACTERISTICS**

Input Voltage: 12/24V

Power Draw: 18W

Electrical Protection: SAE J2139 (includes reverse polarity protection)

**OPTICS**

Optical Package: Near (Reflector and Lens), Far (Reflector)

Correlated Color Temperature (CCT): 5478K

Color Rendering Index (CRI): 71

Effective Range (6 Lx on ground): Near Pattern 59ft (18m), Far Pattern 101ft (31m)

Effective Spread (6 Lx on ground): Near Pattern 33ft (10m), Far Pattern 33ft (10m)

**RATINGS AND COMPLIANCES**

Impact: SAE J575, ISO 60068-2-6:1996

Thermal Stress: SAE J1455

Ingress Protection: IP69K; IPX7

Corrosion: SAE J2139

Storage Temperature Test: ISO16750-4:2003

Light Performance: IESNA LM-79

### THE NEW STANDARD FOR TRILLIANT® PERFORMANCE IN A SMALL, MOUNT-ANYWHERE WORK LAMP



Swivel

Pendant

Pinch

Flush

**FEATURES & BENEFITS**

- Efficient light engine projects 1790 effective lumens using only 18 watts of power across 12/24 volts.
- Rugged mechanical design ensures consistent performance and long life in the harshest environments.
- Small size combined with tough construction allows mounting in places where larger or less rugged lamps cannot fit or survive.
- Advanced circuit design provides electronically quiet operation; protects against EMI without interfering with other electronic devices.
- Clean, white light designed to represent true colors, just like day light.

PRODUCT NUMBER	BEAM PATTERN	MOUNTING TYPE	PACKAGE TYPE
64E11	NEAR	PINCH MOUNT	INDUSTRIAL (WITH HARDWARE)
64E11-5	NEAR	PINCH MOUNT	RETAIL (WITH HARDWARE)
64E11-3	NEAR	PINCH MOUNT	BULK (WITHOUT PIGTAIL)
64G01	FAR	PENDANT MOUNT	INDUSTRIAL (WITH HARDWARE)
64G01-5	FAR	PENDANT MOUNT	RETAIL (WITH HARDWARE)
64G01-3	FAR	PENDANT MOUNT	BULK (WITHOUT PIGTAIL)
64G11	NEAR	PENDANT MOUNT	INDUSTRIAL (WITH HARDWARE)
64G11-5	NEAR	PENDANT MOUNT	RETAIL (WITH HARDWARE)
64G11-3	NEAR	PENDANT MOUNT	BULK (WITHOUT PIGTAIL)
64F11	NEAR	FLUSH MOUNT	INDUSTRIAL (WITH HARDWARE)
64K71-3	NEAR	SWIVEL MOUNT	BULK (WITHOUT PIGTAIL)



**EZ-FIND**  
SCAN FOR TECH SPECS,  
RELATED PRODUCTS  
AND MORE

FOR MORE INFORMATION  
VISIT OUR WEBSITE.  
**GROTE.COM**



# TRILLIANT® 26 LED WORK LAMP

## 1800 LUMENS



ALUMINUM CONSTRUCTION

12/24V

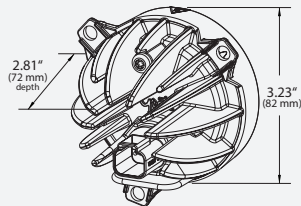
DUAL VOLTAGE



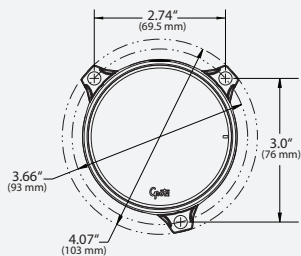
GROTE LED

OEM

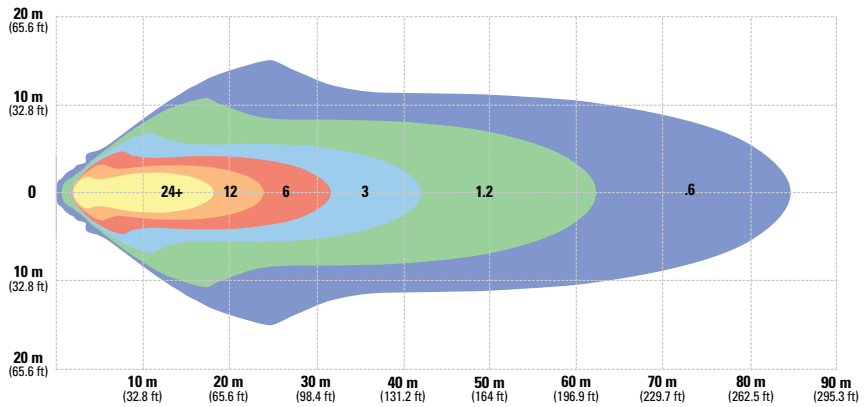
OEM SPEC



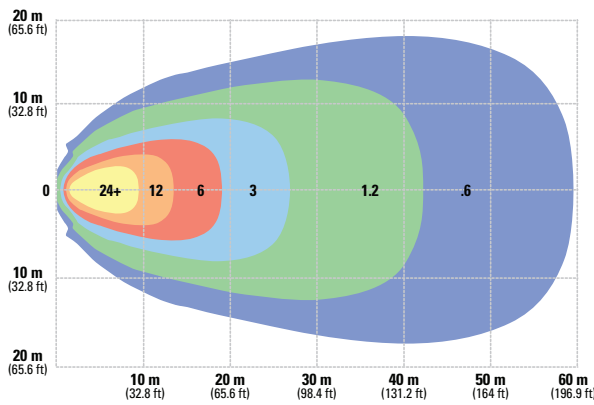
Flush



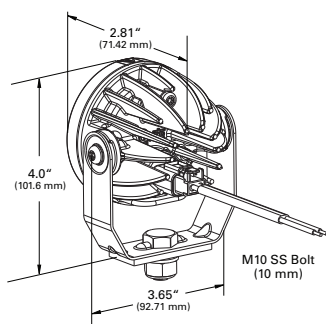
### 1800 LUMEN FAR PATTERN



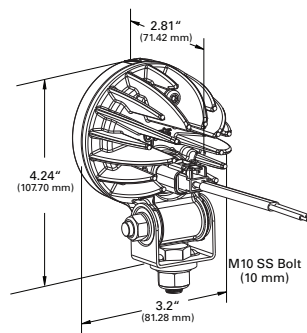
### 1800 LUMEN NEAR PATTERN



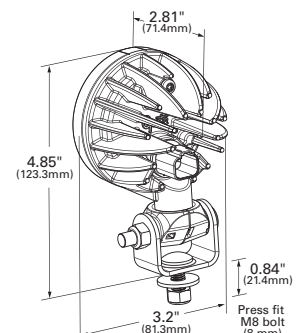
Illuminance (Lux)



Pinch



Pendant



Swivel



**EZ-FIND**  
SCAN FOR TECH SPECS,  
RELATED PRODUCTS  
AND MORE

FOR MORE INFORMATION  
VISIT OUR WEBSITE.  
**GROTE.COM**

