

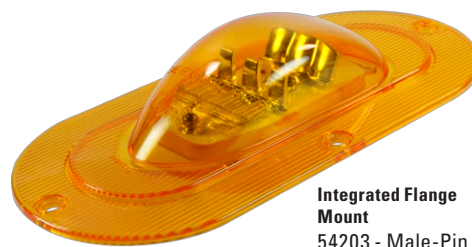
SuperNova® Oval Side Turn/Marker LED Lamps

Product Information Sheet

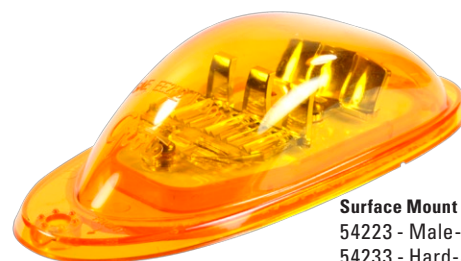
STOP / TAIL / TURN / LAMPS



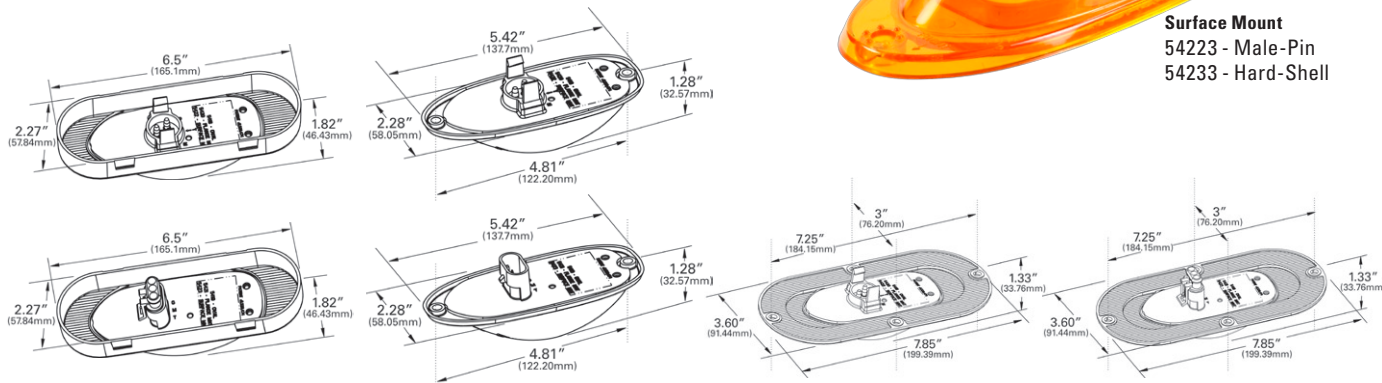
Grommet Mount
54183 - Male-Pin
54193 - Hard-Shell



Integrated Flange Mount
54203 - Male-Pin
54213 - Hard-Shell

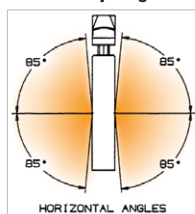


Surface Mount
54223 - Male-Pin
54233 - Hard-Shell



- Flashing turn signal is visible to driver during operation
- Available in recessed grommet/flange, surface and integral flange mount versions
- Male-pin and hard-shell connection options
- 50 state legal, meets SAE J914 E/E2 and California title 13
- Single circuit board and single reflector component design

Visibility Angles



PRODUCT SPECIFICATIONS

MATERIAL: POLYCARBONATE
FINISH: YELLOW
FMVSS: OPTIC - E, E2, P2
VOLTAGE AMP: 13.5V / .45A/.06A
BRACKETS: 43362, 43952, 43220, 43222, 43223, 42152, 42153, 43172, 42103, 43723
GROMMETS: 92420, 92720
PIGTAILS: MALE-PIN-67002, 66841, 66815, 66816, 66845, 67005; HARD-SHELL-66861
MOUNTING PAD: 94340 (FOR 54203, 54213)

Part Number	Light Source	Operating Voltage	Amperage	Interchange	
54183 - Male-Pin	Grommet Mount	LED	12V	.45A/.06A	SUPERSEDES 52323
54193 - Hard-Shell	Grommet Mount	LED	12V	.45A/.06A	(TL) 60315Y, (P) M354A-N
54203 - Male-Pin	Flange Mount	LED	12V	.45A/.06A	
54213 - Hard-Shell	Flange Mount	LED	12V	.45A/.06A	(TL) 60317Y
54223 - Male-Pin	Surface Mount	LED	12V	.45A/.06A	
54233 - Hard-Shell	Surface Mount	LED	12V	.45A/.06A	

grote.com

2600 Lanier Drive, Madison, Indiana U.S.A. 47250-0550

U.S. 800.628.0809 Canada 800.268.5612



The first name in vehicle safety systems®