

SuperNova® NexGen™ 4" Flanged Dual-System LED Back-Up Lamp

Data Sheet

L I C E N S E A N D B A C K - U P

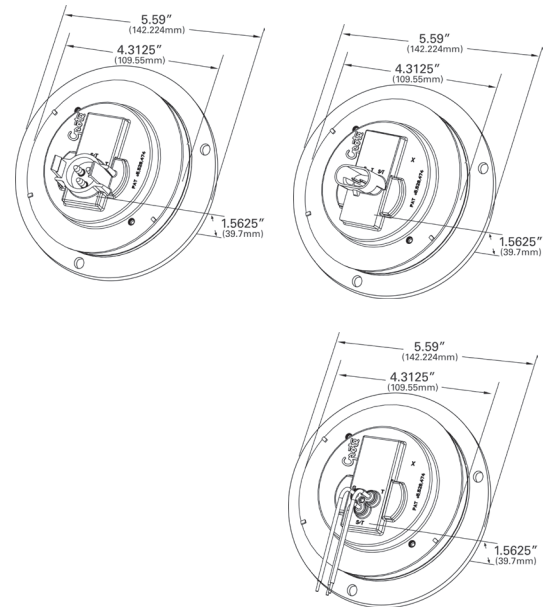


PRODUCT SPECIFICATIONS

MATERIAL: ACRYLIC
FINISH: CLEAR/WHITE
FMVSS: 108, SAE J578, J593
ECE: R23
VOLTAGE AMP: 12V; .55A
PIGTAIL: 67013, 66823, 66830, 67016, 66846, 66836, 67006, 66862,

Flanged lamp mounts directly to vehicle eliminating moisture intrusion

- Flanged lamp requires no need for additional mounting brackets
- Available in Male Pin, Hard Shell or Hardwire terminations
- Two-lamp system meets all back-up function requirements.
- Hard coated lens for long-term UV protection
- Environmental encapsulant potting for total circuit board protection
- Hermetic lens-to-housing seal prevents moisture intrusion
- Meets FMVSS compliance requirements
- As of November 2014 meets ECE compliance requirements



Part Number	Termination	Light Source	Operating Voltage	Amperage	Interchange
62781	Male Pin	LED	12V	.55A @ 12V	NA
62791	Hard Shell	LED	12V	.55A @ 12V	44991C, 44992C
62811	Hard Wired	LED	12V	.55A @ 12V	NA

2600 Lanier Drive, Madison, Indiana U.S.A. 47250-0550

U.S. 800.628.0809 Canada 800.268.5612

Europe +49 9962/20008-0 Mexico 011 (52) 81-8262-4400

grote.com

