

# SuperNova® NexGen™ 4" Flanged Dual-System LED Back-Up Lamp

Data Sheet

L I C E N S E   A N D   B A C K - U P

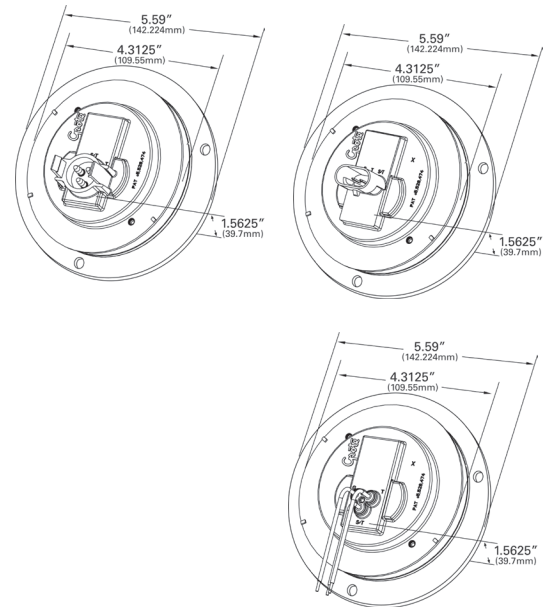


## PRODUCT SPECIFICATIONS

**MATERIAL:** ACRYLIC  
**FINISH:** CLEAR/WHITE  
**FMVSS:** 108, SAE J578, J593  
**ECE:** R23  
**VOLTAGE AMP:** 12V; .55A  
**PIGTAIL:** 67013, 66823, 66830, 67016, 66846, 66836, 67006, 66862,

Flanged lamp mounts directly to vehicle eliminating moisture intrusion

- Flanged lamp requires no need for additional mounting brackets
- Available in Male Pin, Hard Shell or Hardwire terminations
- Two-lamp system meets all back-up function requirements.
- Hard coated lens for long-term UV protection
- Environmental encapsulant potting for total circuit board protection
- Hermetic lens-to-housing seal prevents moisture intrusion
- Meets FMVSS compliance requirements
- As of November 2014 meets ECE compliance requirements



Part Number	Termination	Light Source	Operating Voltage	Amperage	Interchange
62781	Male Pin	LED	12V	.55A @ 12V	NA
62791	Hard Shell	LED	12V	.55A @ 12V	44991C, 44992C
62811	Hard Wired	LED	12V	.55A @ 12V	NA

2600 Lanier Drive, Madison, Indiana U.S.A. 47250-0550

U.S. **800.628.0809** Canada **800.268.5612**

Europe **+49 9962/20008-0** Mexico **011 (52) 81-8262-4400**

[grote.com](http://grote.com)

