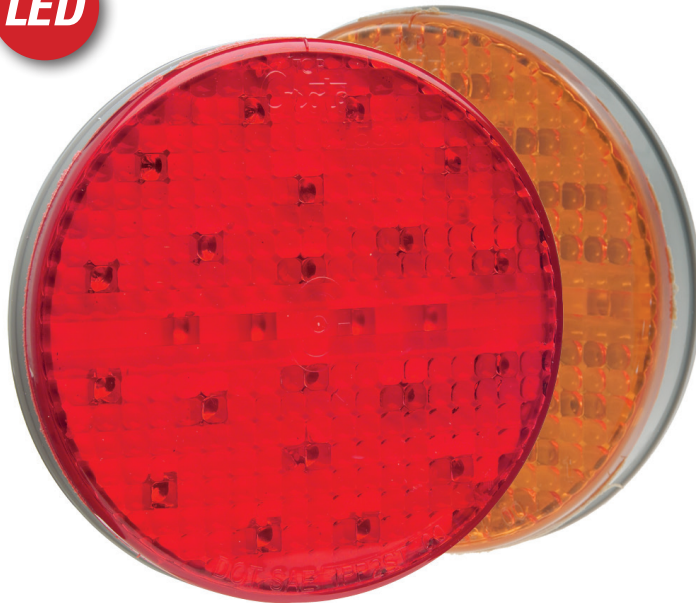


SuperNova® 4" Full-Pattern Stop / Tail / Turn LED Lamp

Data Sheet

STOP / TAIL / TURN LIGHTING



PRODUCT SPECIFICATIONS

MATERIAL: PC/ABS

FMVSS: S/T/T - I, P2, S, T - AUXILIARY - P2

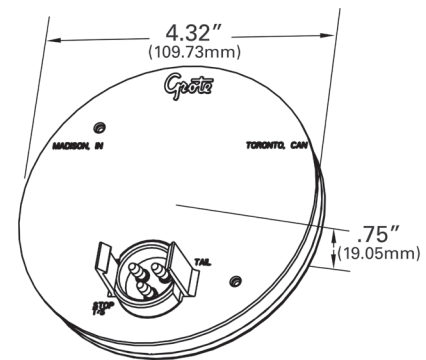
FINISH: RED/YELLOW

VOLTAGE AMP: RED - 12V - .24A (I,S)/.03A (T)

BRACKET: 93552, 43253, 92510, 92512, 92513, 43572, 43642, 43655, 43732, 93190, 93550, 93553, 93683, 93850

GROMMET: 91740, 91950

PIGTAIL: 66815, 66841, 67002, 66842, 67013, 66816, 66845, 67005, 66823, 66830, 67016, 66846, 66836, 67006



- Encapsulant potting for total circuit-board protection
- Male pin termination for maximum moisture and corrosion protection
- Advanced pin connection system uses tin-plated, solid brass pin terminations
- Hermetic lens-to-housing seal

Part Number	Mounting	Operating Voltage	Amperage	Interchange
53312 - RED	GROMMET MOUNT	12V	.48A(I,S) / .04A(P2,T)	NA
53322 - RED	WHITE THEFT-RESISTANT FLANGE	12V	.48A(I,S) / .04A(P2,T)	NA
53182 - RED	BLACK, THEFT-RESISTANT FLANGE	12V	.48A(I,S) / .04A(P2,T)	NA
53192 - RED	STAINLESS STEEL, THEFT-RESISTANT FLANGE	12V	.48A(I,S) / .04A(P2,T)	NA
52162 - RED	GROMMET MOUNT	24V	.2A(I,S) / .02A(P2,T)	NA
53413 - YELLOW	GROMMET MOUNT	12V	.71A(I) / .14A(P2)	NA
53523 - YELLOW	STAINLESS STEEL THEFT-RESISTANT FLANGE	12V	.48A(I,S) / .04A(P2,T)	NA
52163 - YELLOW	GROMMET MOUNT	24V	.34A(I) / .06A(P2)	NA
53313 - YELLOW	GROMMET MOUNT	12V	1.06A(I) / .13A(P,P2)	NA
53193 - YELLOW	STAINLESS STEEL, THEFT-RESISTANT FLANGE	12V	1.06A(I) / .13A(P,P2)	NA
55103 - YELLOW (2 PIN)	GROMMET MOUNT	12V	.48A(I,S) / .04A(P2,T)	NA

2600 Lanier Drive, Madison, Indiana U.S.A. 47250-0550

U.S. **800.628.0809** Canada **800.268.5612**

Europe **+49 9422 40331-0** Mexico **+(52) 818262 4412** China **+86.21.5774.9633**



grote.com