

SuperNova® 4" 10-Diode Integrated Flange LED Stop/Tail/Turn Lamp

Data Sheet

STOP/TAIL/TURN LIGHTING



PRODUCT SPECIFICATIONS

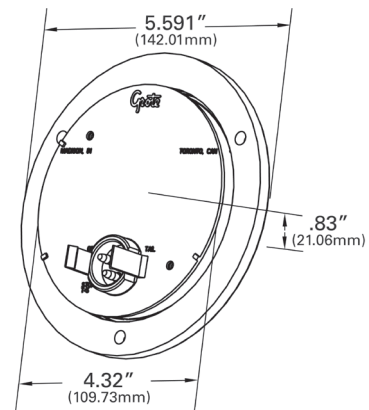
MATERIAL: PC/ABS

FINISH: RED

FMVSS: S / T / T-I, S, T

VOLTAGE AMP: 12V / .24A (I,S) / .03A (T)

PIGTAIL: MALE PIN: 66815, 66841, 67002, 66816, 66845, 67005, 66830, 66836, 67006



Flanged lamp requires no need for additional mounting brackets

- Environmental encapsulant potting for total circuit board protection
- Hermetic lens-to-housing seal prevents moisture intrusion
- Less current draw than standard incandescent lamps for increased fuel efficiency, leaves more voltage available for other vehicle systems

Part Number	Termination	Light Source/Color	Operating Voltage	Amperage
54622	MALE PIN	LED/RED	12V	.24A (I,S) / .03A (T)

2600 Lanier Drive, Madison, Indiana U.S.A. 47250-0550

U.S. **800.628.0809** Canada **800.268.5612**

Europe **+49 9422 40331-0** Mexico **+(52) 818262 4412** China **+86.21.5774.9633**

grote.com

