

RazorBack™ Mid-Position Flashing Marker Lamp

Data Sheet

CLEARANCE MARKER

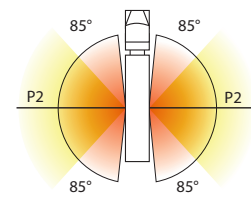
RAZORBACK



PRODUCT SPECIFICATIONS

MATERIAL: ACRYLIC, ABS
FINISH: YELLOW
FMVSS: 108 - P2
VOLTAGE AMP: 13.5V / 0.18A
BRACKETS: 43220, 43222, 43223, 43732, 99470, 43362, 43952, 43172, 43100, 42152, 42153
GROMMET: 92420, 92720, 67151
PIGTAILS: 66861

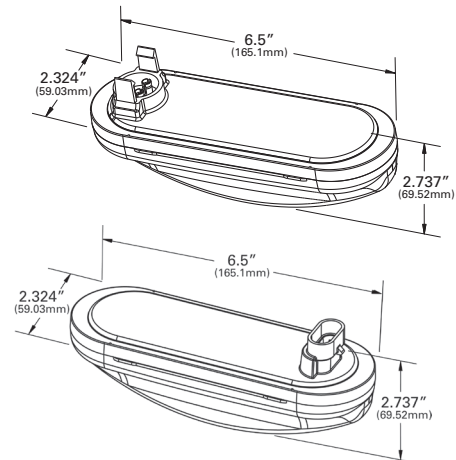
Visibility Angles



HOW IT WORKS	MARKER CIRCUIT ON	MARKER CIRCUIT OFF
Turn Signal: Flashing "ON/OFF"	RazorBack: Flashing "OFF/ON"	RazorBack: Flashing "ON/OFF"
Turn Signal: Not Flashing	RazorBack: "ON"	RazorBack: "OFF"
Emergency Flashers: Flashing "ON/OFF"	RazorBack: "OFF/ON"	RazorBack: "ON/OFF"

Flashing turn signal is visible to driver during operation

- Patent pending electronic design meets all FMVSS 108 marker requirements and also flashes in concert with the turn signal circuitry to act as a mid-position flasher.
- 50 State Legal - flashing mid-position marker
- Easily visible from the cab during operation
- Electronics completely encapsulated with ultra-durable epoxy for maximum protection from the highway environment
- Fits current mounting flanges and grommets



PART NUMBER	LIGHT SOURCE	OPERATING VOLTAGE	AMPERAGE
54593 - Hard-Shell Grommet Mount	LED	12V	.18A @ 13.5V
54663 - Male-Pin Grommet Mount	LED	12V	.18A @ 13.5V

2600 Lanier Drive, Madison, Indiana U.S.A. 47250-0550

U.S. **800.628.0809** Canada **800.268.5612**

Europe **+49 9962/20008-0** Mexico **011 (52) 81-8262-4400**



grote.com