

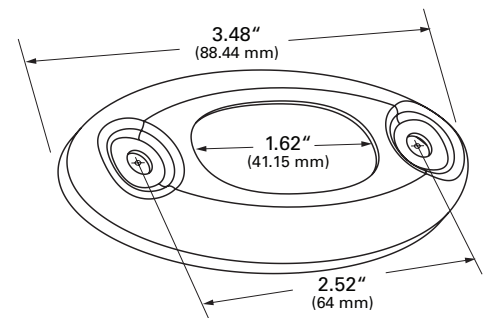
Stainless Steel MicroNova® Oval Bezel

Data Sheet

P I G T A I L S , G R O M M E T S A N D B R A C K E T S

PRODUCT SPECIFICATIONS

MATERIAL: 20GA Bright Finish Stainless Steel



Safeguard your lamps while adding style to your vehicle.

Features & Benefits

- The plate mounts directly to vehicle with stainless steel rivets or screws
- Provides an additional layer of theft deterrence
- Prevents lamp rotation when installed

Mounting Recommendations

- Designed to work with all grommet mounted MicroNova Oval lamps
- Mounting Hole Spacing 2.52 in (64 mm)
- Length: 3.48 in (88.4 mm)
- Use stainless steel rivets or #10 fasteners (not included)

PART NUMBER	DESCRIPTION	PACK
42343	Stainless Steel Bezel - Individual	10 / Container
42343-3	Stainless Steel Bezel - Bulk	50 / Container

2600 Lanier Drive, Madison, Indiana U.S.A. 47250-0550

U.S. 800.628.0809 Canada 800.268.5612

Europe +49 9422 40331-0 Mexico +(52) 818262 4412 China +86.21.5774.9633

GLB2017-095

grote.com