

SUBMERSIBLE LED TRAILER LIGHTING KITS

FROM GROTE



GROTE LED



EASY INSTALLATION

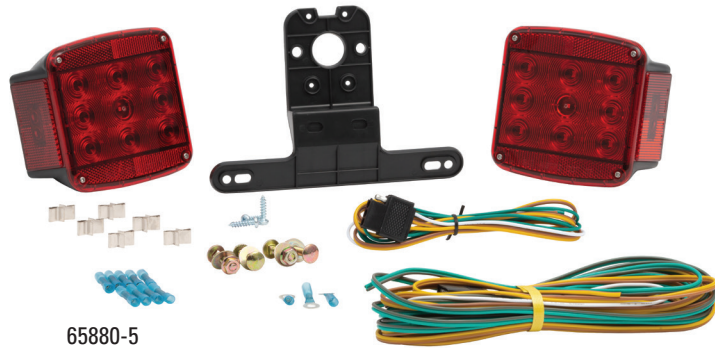


RETAIL READY



FULLY SUBMERSIBLE

GROTE'S SUBMERSIBLE TRAILER LAMPS ARE DESIGNED TO OUTPERFORM ANY OTHERS WITH ENHANCED DURABILITY, LONGER LIFE, AND BETTER END USER VALUE.



65880-5

MATERIAL: LENS: ACRYLIC
HOUSING: POLYPROPYLENE
CONNECTION TYPE: BLUNT CUT / RING TERMINAL
MOUNTING TYPE: STUD
APPLICATION: TRAILERS UNDER 80" WIDE
RATINGS AND COMPLIANCES: FMVSS 108

- Available in two kits, with or without clearance marker lamps, they combine rugged LED performance with totally submersible capability.
- Multifunction lighting kit provides
 - Stop/tail/turn
 - Side and rear reflectors
 - Clearance/marker lamps
 - License lamp
- Kit with clearance/marker lamps includes all lighting equipment needed for trailers less than 80" wide including all necessary mounting brackets, hardware and installation guide.
- Ideal for utility, snowmobile, camping, motorcycle, horse, and boat trailers.
- Individual replacement lamps are available for S/T/T and clearance/marker functions.
- Popular square design fits standard mounting hole configurations.

PART#	DESCRIPTION	VOLTS	AMPS
65880-5	Kit WITHOUT Clearance/Marker Lamps	12V	S/T/T - 12V / .22A (per lamp)
51962-5	RH S/T/T Replacement Lamp	12V	.22A @ 12V
51972-5	LH S/T/T Replacement Lamp WITH License Window	12V	.22A @ 12V



EZ-FIND
 SCAN FOR TECH SPECS,
 RELATED PRODUCTS
 AND MORE

**FOR MORE INFORMATION
 VISIT OUR WEBSITE.
 GROTE.COM**



SUBMERSIBLE LED TRAILER LIGHTING KITS

FROM GROTE



GROTE LED



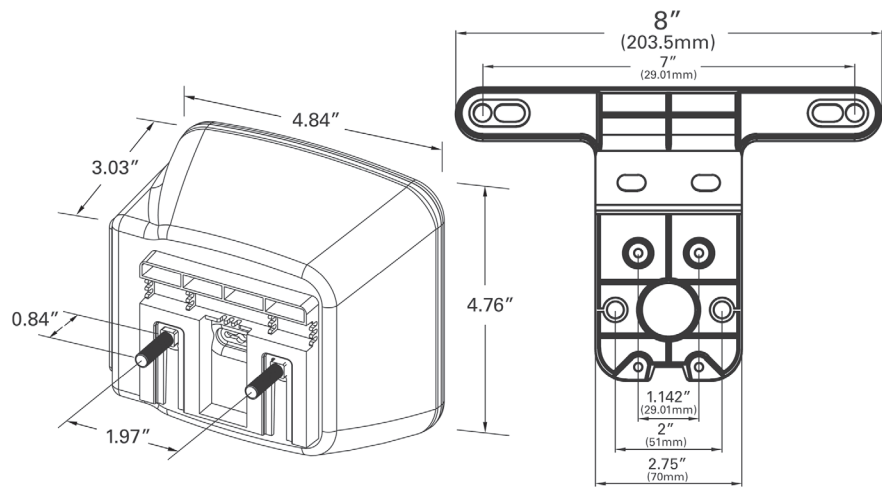
EASY INSTALLATION



RETAIL READY



FULLY SUBMERSIBLE



EZ-FIND
SCAN FOR TECH SPECS,
RELATED PRODUCTS
AND MORE

**FOR MORE INFORMATION
VISIT OUR WEBSITE.
GROTE.COM**

