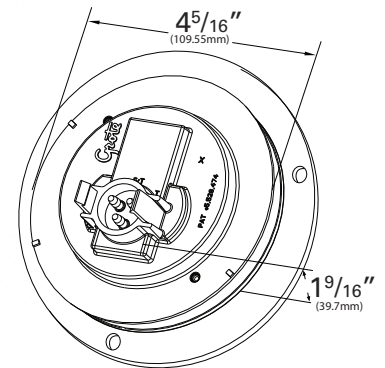


SuperNova® LED Hook Up Lamp

Product Information Sheet

L I C E N S E A N D B A C K - U P



Industry first optically designed LED hook up lamp.

PRODUCT FEATURES AND BENEFITS

- Directly mounts and replaces existing hook-up lamps
- Sealed flange-to-housing
- Housing-to-truck gasket included to keep moisture and elements out
- Male-pin connection for worry-free service
- Provides more light to hook-up lines and nose box than existing lamps

PRODUCT SPECIFICATIONS

MATERIAL: POLYCARBONATE
FINISH: CLEAR/WHITE
VOLTAGE AMP: 10V - 16V; .5A @ 12.8V (60631)
10V - 16V; .6A @ 12.8V (60641)
PIGTAIL: 66815, 66845, 67005

Part Number	Pattern	Light Source	Operating Voltage	Amperage	Interchange
60631	Hook Up	LED	10V - 16V	.5A @ 12.8V	NA
60641	Wide Flood	LED	10V - 16V	.6A @ 12.8V	NA

grote.com

2600 Lanier Drive, Madison, Indiana U.S.A. 47250-0550

U.S. 800.628.0809 Canada 800.268.5612

Grote

The first name in vehicle
safety systems®