

GROTE LED FOG LAMPS



DATA SHEET

FORWARD LIGHTING



64H51-5



64H61-5

Make your way safely through fog and inclement weather with Grote's new LED Fog Lamps.

- SAE and FMCSA approved LED Fog Lamps can be used on commercial vehicles or private vehicles
- Two mounting options- pedestal or flush mount for any application
- Three wiring options, hard wire (pigtail included), basic harness system (sold separately) or deluxe harness system to use vehicle electronics (sold separately)
- Blunt-cut DT connector harness included
- Designed with durability in mind, their rugged construction allows for use in any heavy-duty application
- Street legal for all classes of vehicle, from Class 1 to Class 8

PRODUCT SPECIFICATIONS

MATERIALS:

Housing Material: Die-Cast Aluminum
 Lens Material: Polycarbonate

ELECTRONIC CHARACTERISTICS:

Connector Type: 2-pin DT Style
 Input Voltage: 12V-36V
 Power Draw: 0.83A at 12V

OPTICS:

Reflector Optics

RATINGS AND COMPLIANCES:

SAE J583™, F, FMCSA 393.25(b)
 Ingress Protection: IP67
 VMRS Code: 034-001-012

PART NUMBER	DESCRIPTION	VOLTAGE
64H51-5	LED FOG LAMP BRACKET MOUNT	12V-36V
64H51-4	LED FOG LAMP BRACKET MOUNT, PAIR PACK	12V-36V
64H61-5	LED FOG LAMP FLUSH MOUNT	12V-36V
64H61-4	LED FOG LAMP FLUSH MOUNT, PAIR PACK	12V-36V

FOR MORE INFORMATION VISIT GROTE.COM

Grote Industries, Inc. 2600 Lanier Drive, Madison, Indiana U.S.A. 47250-0550
 U.S. 800.628.0809 | Europe +49 9422 40331-0 | China +86.21.5774.9633
 Canada 800.268.5612 | Mexico +(52) 818262 4412



GROTE LED FOG LAMPS



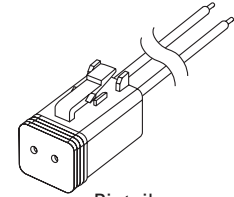
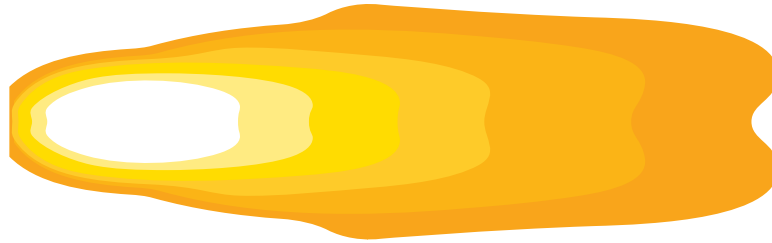
DATA SHEET

FORWARD LIGHTING

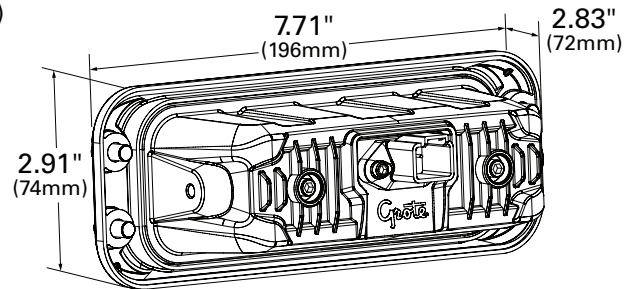
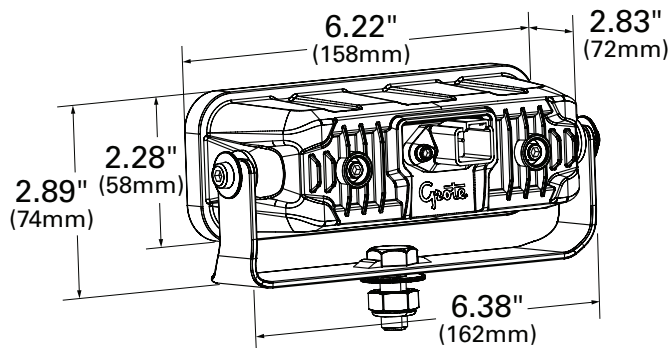
FOG LIGHT PATTERN

310 + FT | 95 + M

115 + FT
35 + M



Pigtail:
Blunt-cut adapter
(included)



3 Installation Options



1. DIY
Blunt-cut pigtail included for DIY hardwired installation

2. Basic Harness: PN 68660
Includes on/off toggle switch

3. Deluxe Harness: PN 68650
Control lamps with vehicle low beams
Will need adapter harness (pick from below)

68651
H4 - ADAPTER

68652
H1 - ADAPTER

68653
H13 - ADAPTER

68654
H11 - ADAPTER

68655
9007 - ADAPTER

68656
9005 - ADAPTER

FOR MORE
INFORMATION
VISIT **GROTE.COM**

Grote Industries, Inc. 2600 Lanier Drive, Madison, Indiana U.S.A. 47250-0550
U.S. 800.628.0809 | Europe +49 9422 40331-0 | China +86.21.5774.9633
Canada 800.268.5612 | Mexico +(52) 818262 4412

