

# GROTE LED COMBINATION HEAD LAMPS



DATA SHEET

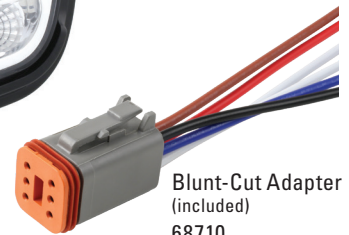
FORWARD LIGHTING



84621-5



84611-5



Blunt-Cut Adapter  
(included)  
68710

From off-road to on-highway, Grote's versatile LED Combination Head Lamps bring durability and high visibility to any heavy-duty application. Whether moving your harvester between fields or mounted as auxiliary lighting on your wheel loader, these rugged lamps will get you where you need to go.

- Die-cast aluminum housing and heavy-duty lens are designed to withstand the harshest conditions
- Ideal auxiliary driving lights for municipal, agricultural, mining, and construction use
- Built to resist hours of continuous 6G vibration
- Versatile, multi-volt design is perfect for a wide variety of applications
- Features low amp draw and reverse voltage protection
- 2-year warranty makes this affordable lighting solution an even better investment
- Includes integrated 6-pin DT connector with blunt-cut adapter
- Regulations/Standards: FMVSS 571.108; DOT; SAE UB3; LB: SAE LB3V, SAE J577, IP67

## PRODUCT SPECIFICATIONS

### MATERIALS:

Housing Material: Die-Cast Aluminum  
Lens Material: Polycarbonate

### ELECTRONIC CHARACTERISTICS:

Connector Type: 6-pin DT  
Input Voltage: 12V-30V  
Low Beam: 1.2A at 12V, 15W  
High Beam: 3.2A at 12V, 38W  
Park: 2W  
Turn: 6W

### OPTICS:

Projector Beam

### RATINGS AND COMPLIANCES:

FMVSS 108 / HB: SAE UB3; LB: SAE LB3V  
Ingress Protection: IP67

PART NUMBER	DESCRIPTION	VOLTAGE
84611-5	LEFT / DRIVER SIDE	12V-30V
84621-5	RIGHT / PASSENGER SIDE	12V-30V
84651-4	PAIR PACK - RIGHT AND LEFT LAMPS	12V-30V

FOR MORE  
INFORMATION  
VISIT **GROTE.COM**

Grote Industries, Inc. 2600 Lanier Drive, Madison, Indiana U.S.A. 47250-0550  
U.S. **800.628.0809** | Europe **+49 9422 40331-0** | China **+86.21.5774.9633**  
Canada **800.268.5612** | Mexico **+(52) 818262 4412**



# GROTE LED COMBINATION HEAD LAMPS



DATA SHEET

FORWARD LIGHTING

## LOW BEAM

525 + FT | 160 + M

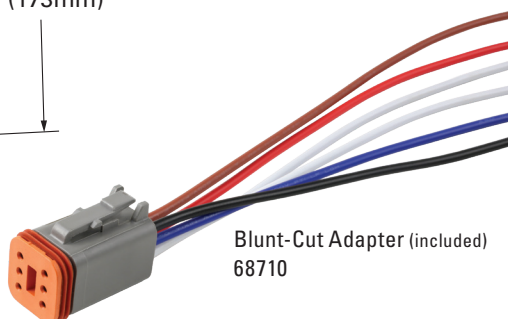
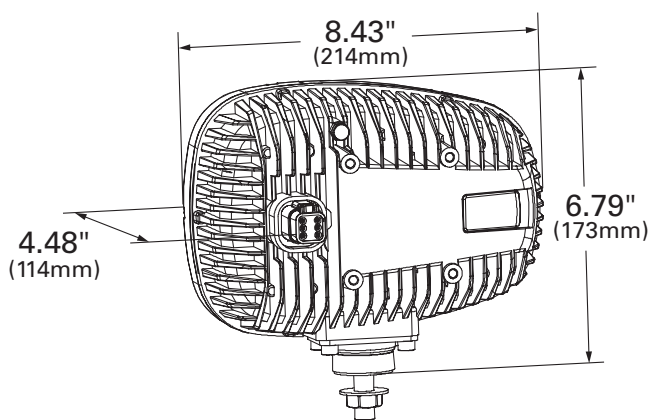
80 + FT  
25+ M



## HIGH BEAM

730 + FT | 225 + M

145 + FT  
45 + M



LOW BEAM (BROWN)  
HIGH BEAM (RED)  
(2) GROUND LINES (WHITE)  
POSITION LIGHT (BLUE)  
TURN LIGHT (BLACK)

FOR MORE  
INFORMATION  
VISIT [GROTE.COM](http://GROTE.COM)

Grote Industries, Inc. 2600 Lanier Drive, Madison, Indiana U.S.A. 47250-0550  
U.S. 800.628.0809 | Europe +49 9422 40331-0 | China +86.21.5774.9633  
Canada 800.268.5612 | Mexico +(52) 818262 4412

