

# Green MicroNova® Dot LED Indicator Lamp

Data Sheet

CLEARANCE MARKER



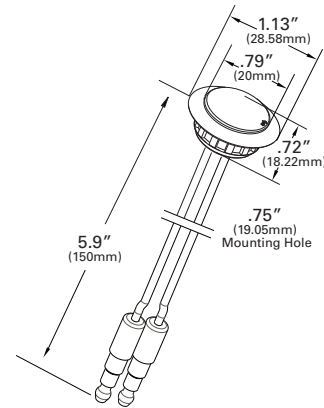
## PRODUCT SPECIFICATIONS

**Material:** Polycarbonate

**Finish:** Green

**Voltage AMP:** .05A @ 14V

**Adaptor Bracket:** 42302, 42312, 42292, 42282



## Advance technology is now a "Go."

- Durable one-piece LED lamp
- No mounting hardware required
- Hardwired with .180 standard UBS plug connectors for maximum performance

## Mounting Recommendations:

Lamp mounts into 2.3 mm to 6.0 mm thick panels

19.05 mm mounting hole is required

Part Number	Operating Voltage	Amperage	Interchange
60824	12V	.05 A @ 14V	Maxxima M09300G

2600 Lanier Drive, Madison, Indiana U.S.A. 47250-0550

U.S. **800.628.0809** Canada **800.268.5612**

Europe **+49 9962/20008-0** Mexico **011 (52) 81-8262-4400**

GLB2015-87

[grote.com](http://grote.com)