

# AUXILIARY LED STROBE LIGHT

7679x



## FEATURES

- High-Intensity 1W LED x 4
- Multi-Voltage Input 11~30VDC
- Built-in 19 selectable flash patterns
- LEDs rated to 100,000 hours of operation
- Non-volatile memory recalls last flash pattern used at power up
- Multiple units are synchronizable and can flash simultaneously or alternately
- Reverse polarity protection
- Weatherproof and vibration resistant design for external or internal use
- Aluminum base for heat dissipation

## SPECIFICATIONS

**Meets:** SAE, Title XIII, e13

**Bulb:** 1W LED x 4pcs

**Warning Patterns:** 19 Flash Patterns

**Operating Voltage:** 11~30VDC

**Avg. Current:** 0.27A @12.8VDC 0.13A @24VDC  
(varies with flash pattern)

**Avg. Power:** 3.5 Watts (varies with flash pattern)

**Max. Current:** 0.55A @12.8VDC / 0.26A @24VDC

**Max. Power:** 7 Watts

**Cable Length:** 120cm (4 ft)

**Wire Functions:** Red - Power

Black - GND

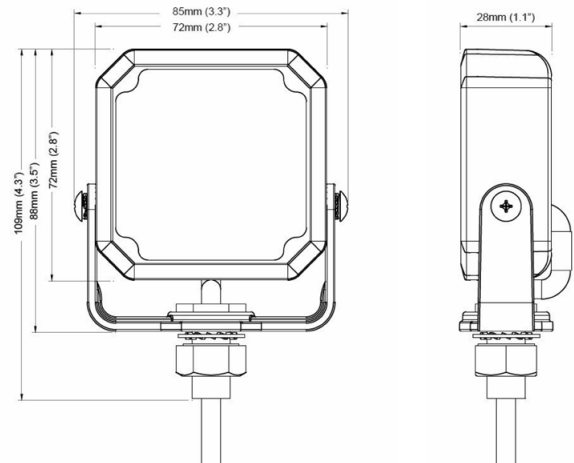
Yellow - Flash Patterns & Sync & Phase

White - Steady Burn

**Fuse Recommend:** 3A

**Available in:** Red, Blue, Amber, White

## DIMENSIONS



## FLASH PATTERN

FP#	Flash Patterns		
0	Random	10	Double (all)
1	Steady (split)	11	Quad (all)
2	Double (split)	12	Quint (all)
3	Quad (split)	13	Mega (all)
4	Quint (split)	14	Ultra (all)
5	Mega (split)	15	Single-Quad (all)
6	Ultra (split)	16	Single H/L (all)
7	Single-Quad (split)	17	Steady 2 (California)
8	Single H/L (split)	18	Steady 4 (all)
9	Single (all)		