

WARNING & HAZARD

COMPACT MINI BAR Ultra-low Profile

Available in Single-Bolt Mount & Magnet Mount

FEATURES & BENEFITS

- 22 customer selectable flash patterns via external pattern select wire on permanent models
- Ultra-low profile reduces drag and friction
- Magnetic mounted product come complete with a cigarette plug for on/off function and 22 user selectable flash patterns
- Can be used in various applications such as pick-up trucks, cars or heavy duty vehicles.

Voltage: 12 to 24 VDC

Amp Draw: 2 amps @ 12 VDC

APPROVALS: SAE J845 CLASS I

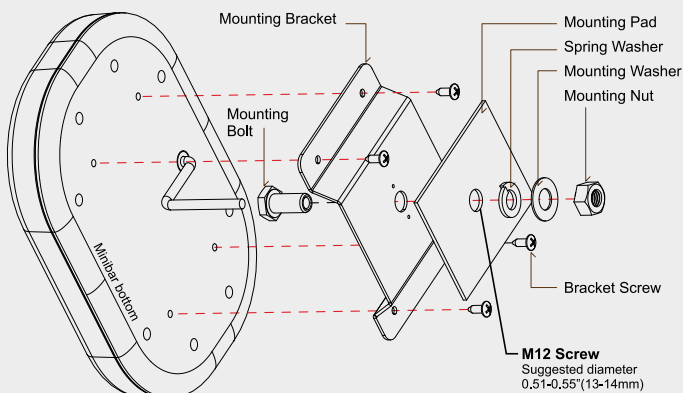


SINGLE-BOLT MOUNT BRACKET (77223)



77223

WARNING:
Do not look directly into LEDs while in operation;
may cause momentary blindness and/or eye damage.



MAGNET MOUNT (77803)

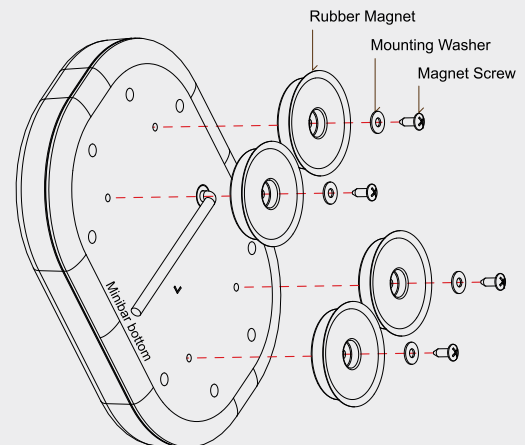


77803

Model: with Dual button cigar-plug.



WARNING:
It is not recommended to use magnetically mounted warning devices on vehicles in motion. Usage is at the sole risk and responsibility of the user.



**FOR MORE INFORMATION ON LED LIGHTING
VISIT OUR WEBSITE AT GROTE.COM**

GROTE'S GOT IT!

Grote

230 Travail Rd, Markham,
Ontario, Canada L3S 3J1
Tel: 800.268.5612
US: 800.628.0809
www.grote.com

CONNECT & PROTECT