

WARNING & HAZARD

LED BEACON

Class I, Dual Color

Permanent Mount

▶▶ NOW AVAILABLE!

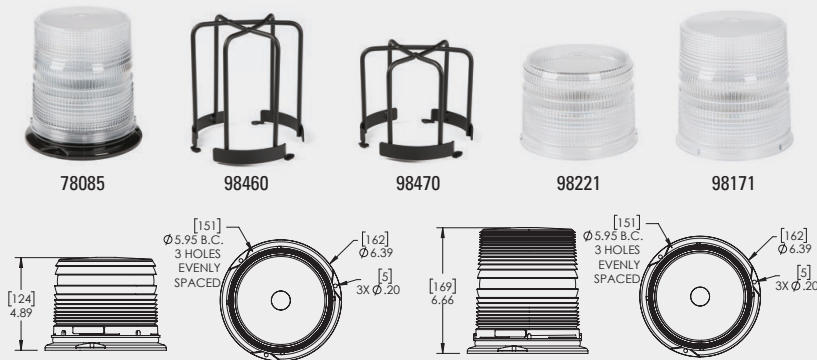
FEATURES & BENEFITS

- 12 Customer selectable flash patterns including steady-on
- S-Link™ System* synchronizing capabilities with up to six other units (for hardware models only). Allows for synchronization with other S-Link compatible products
- Change colour selection with the flip of a switch
- 3-hole permanent mount, 1" pipe mount
- Circuit boards are conformal coated to protect circuitry
- 5 year warranty

Voltage: 12 to 24 VDC

Amp Draw: 0.6 amps @ 12 VDC, 0.3 amps @ 24 VDC

APPROVALS: SAE J845 CLASS I ● AMBER ○ WHITE ● BLUE **NOT APPROVED** ● GREEN



78075



78081

PART #	DESCRIPTION	COLOR
78071	LED Beacon, Class I, Short Lens	● ○ Amber/White
78075	LED Beacon, Class I, Short Lens	● ● Amber/Blue
78070	LED Beacon, Short Lens (<i>not SAE approved</i>)	● ● Amber/Green
98470	Branch Guard (Low Profile)	
78081	LED Beacon, Class I, Tall Lens	● ○ Amber/White
78085	LED Beacon, Class I, Tall Lens	● ● Amber/Blue
78080	LED Beacon, Tall Lens (<i>not SAE approved</i>)	● ● Amber/Green
98460	Branch Guard (High Profile)	
SERVICE PARTS		
98171	Replacement Tall Lens	○ Clear
98221	Replacement Short Lens	○ Clear

* **S-LINK TECHNOLOGY:** S-Link System is a proprietary technology that will allow similar S-Link products to be synchronized. This would allow for a user to define the flash patterns on multiple devices for a customized, tailored look on a vehicle. Note: Only S-Link compatible products can be synchronized together. Refer to user installation manuals for details on S-Link Synchronization.

**FOR MORE INFORMATION VISIT
OUR WEBSITE AT GROTE.COM**
GROTE'S GOT IT!



230 Travail Rd, Markham,
Ontario, Canada L3S 3J1
Tel: 800.268.5612
US: 800.628.0809
www.grote.com

S-Link is a Trademark of Star1889 Headlight & Lantern Co.

C O N N E C T & P R O T E C T