

# LED MINI BEACON, CLASS I FROM GROTE



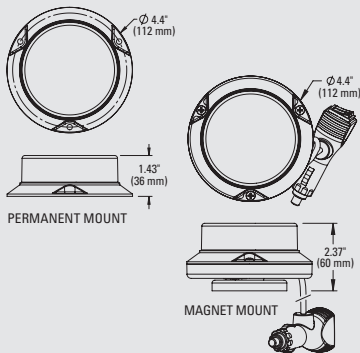
**12**  
FLASH  
PATTERNS

**SAE**  
INTERNATIONAL  
SAE J845™  
STANDARD

**S**  
S-LINK™  
CAPABLE

**F**  
COMPACT  
SIZE

**VOLTAGE:**  
PERMANENT MOUNT: 9–32 VDC  
MAGNET MOUNT: 12 VDC  
**AMP DRAW:** 0.4 AMPS @ 12 VDC  
**APPROVALS:** SAE J845 CLASS I



**S**  
S-LINK™  
CAPABLE

S-Link 2.0 System is a proprietary technology that will allow similar S-Link products to be synchronized. This would allow for a user to define the flash patterns on up to ten devices for a customized, tailored look on a vehicle.

*Note: Only S-Link compatible products can be synchronized together. Refer to user installation manuals for details on S-Link Synchronization.*

## COMPACT SIZE, BIG VERSATILITY

Grote's LED Mini Beacons are the smallest beacons that Grote offers, but with 12 customer selectable flash patterns and S-Link™ 2.0 capabilities they are big on features and capabilities.



## FEATURES & BENEFITS

- 12 customer selectable flash patterns in either of two phases, plus steady-on
- S-Link™ 2.0 System allows for flash pattern synchronization with up to ten other S-Link compatible units (for hardwire models only)
- Polycarbonate lens and base (Ultrasonic welded); Polarity protected
- Three-hole, permanent mount and magnet mount with pattern select aux. plug

PART #	DESCRIPTION	MOUNT	COLOR
79243	LED MINI BEACON, CLASS I	PERMANENT	● AMBER W/ AMBER LENS
79240	LED MINI BEACON, CLASS I	PERMANENT	● AMBER W/ CLEAR LENS
79241	LED MINI BEACON, CLASS I	PERMANENT	○ WHITE W/ CLEAR LENS
79253	LED MINI BEACON, CLASS I	MAGNET	● AMBER W/ AMBER LENS
79250	LED MINI BEACON, CLASS I	MAGNET	● AMBER W/ CLEAR LENS
79251	LED MINI BEACON, CLASS I	MAGNET	○ WHITE W/ CLEAR LENS
93605	MOUNTING BRACKET FOR LED MINI BEACON		



**EZ-FIND**  
SCAN FOR TECH SPECS,  
RELATED PRODUCTS  
AND MORE

**FOR MORE INFORMATION  
VISIT OUR WEBSITE.  
GROTE.COM**

