

LED MINIBARS, SQUARE, CLASS I FROM GROTE



12

FLASH PATTERNS



MADE IN NORTH AMERICA

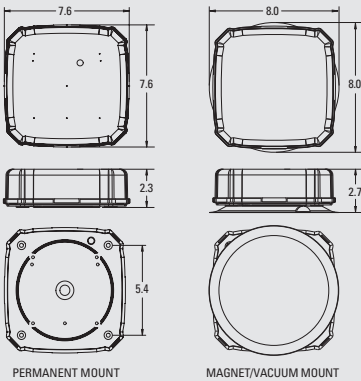


SAE CLASS I



COMPACT SIZE

VOLTAGE: 10-16 VDC
AMP DRAW: 1.2 AMPS AVG. @ 12.8 VDC
APPROVALS: SAE J845 CLASS I
BASE MATERIAL: 33% GLASS FILLED NYLON
LENS MATERIAL: POLYCARBONATE
DIMENSIONS: 2.3" x 7.6" x 7.6"
WARRANTY: 5 YEARS



COMPACT SIZE THAT PACKS A BIG PUNCH

Grote's Square LED Minibars are the smallest minibar that Grote offers, but with 12 customer selectable flash patterns and S-Link™ capabilities they are big on features and capabilities.



FEATURES & BENEFITS

- With four bright LED heads producing 360° output, this powerful unit is also the smallest Minibar Grote offers
- 12 customer selectable flash patterns plus steady-on, and the permanent mount version offers two phases of output, high or low
- S-Link 2.0 System™ offers synchronizing capabilities with other Grote LED S-Link units
- Available in permanent mount option and a vacuum/magnet mount with pattern select switch and 11' power cord
- All models are rated to SAE Class I to provide optimum safety for your vehicles and equipment



S-Link System is a proprietary technology that will allow similar S-Link products to be synchronized. This would allow for a user to define the flash patterns on multiple devices for a customized, tailored look on a vehicle.

Note: Only S-Link compatible products can be synchronized together. Refer to user installation manuals for details on S-Link Synchronization.

PART #	DESCRIPTION	COLOR	LENS COLOR	PACK SIZE
PERMANENT MOUNT				
79220	SQUARE LED MINIBAR, PERMANENT MOUNT	● AMBER	○ CLEAR	1
79221	SQUARE LED MINIBAR, PERMANENT MOUNT	○ WHITE	○ CLEAR	1
79223	SQUARE LED MINIBAR, PERMANENT MOUNT	● AMBER	● AMBER	1
VACUUM MOUNT				
79230	SQUARE LED MINIBAR, VACUUM MOUNT	● AMBER	○ CLEAR	1
79231	SQUARE LED MINIBAR, VACUUM MOUNT	○ WHITE	○ CLEAR	1
79233	SQUARE LED MINIBAR, VACUUM MOUNT	● AMBER	● AMBER	1



EZ-FIND
 SCAN FOR TECH SPECS,
 RELATED PRODUCTS
 AND MORE

**FOR MORE INFORMATION
 VISIT OUR WEBSITE.
 GROTE.COM**

