

# HEAVY DUTY 7 POLE SOCKETS WITH PUSH-ON BULLET TERMINALS FROM GROTE



  
EASY  
INSTALLATION

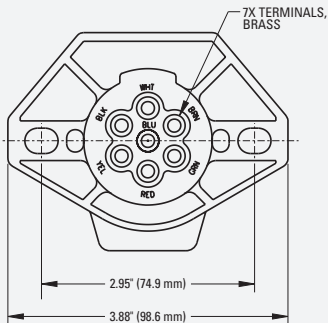
**SAE**  
INTERNATIONAL  
SAE J560™  
STANDARD

  
DURABLE  
CONSTRUCTION

**OEM**  
OEM  
SPEC

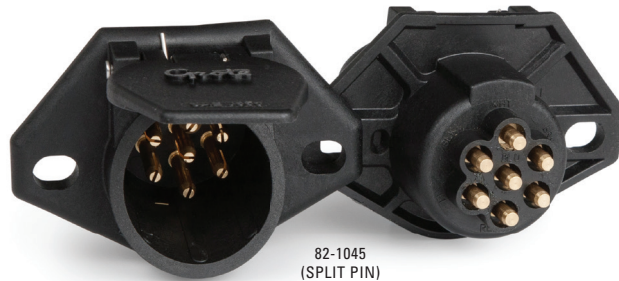
**SPECIFICATIONS**

MATERIALS: BRASS, HIGH-IMPACT NYLON  
MOUNTING HOLES: 2 x 0.5"  
APPROVALS: SAE J560



Push-on bullet terminals allow for rapid repairs by quickly replacing OEM sockets, and solid brass pin terminals ensure optimal conductivity.

Grote's Heavy Duty 7-Way Connectors are designed to meet and exceed SAE J560 specifications. 2VBMJUB FBUVSFTJODMVEFB TUBDMFTTU FMDMPSFT JOHJOEVTUSUBOEBS NPVOUOH PMFT BOE TPMEJCSBTT VTI PO CVMFMUFSNOC BMTGPNBNBMDPOEVDUJWJUB



82-1045  
(SPLIT PIN)



82-1046  
(SOLID PIN)

**COMPETITIVE INTERCHANGE**

GROTE	82-1045 (SPLIT PIN)	82-1046 (SOLID PIN)
PHILIPS	16-724	16-7242
TECTRAN	670P-75	670P-75A
TRAMEC SLOAN	38298	38296

**FEATURES & BENEFITS**

- Made of lightweight, high-impact nylon that is resistant to oil, grease, fuels, and salt
- Meets and exceeds SAE J560 specifications
- Push-on bullet terminals allow for rapid repairs by quickly replacing OEM sockets
- Solid brass pin terminals for optimal conductivity
- Sloped and extended socket barrel provides moisture drainage and excellent power cord support
- Elongated 1/2" mounting holes for easy installation
- Circuit identification on the back of the socket

PART #	DESCRIPTION
82-1045	HEAVY DUTY 7 POLE SOCKET WITH PUSH-ON BULLET TERMINALS, NYLON, SPLIT PIN
82-1046	HEAVY DUTY 7 POLE SOCKET WITH PUSH-ON BULLET TERMINALS, NYLON, SOLID PIN



**EZ-FIND**  
SCAN FOR TECH SPECS,  
RELATED PRODUCTS  
AND MORE

**FOR MORE INFORMATION  
VISIT OUR WEBSITE.  
GROTE.COM**

