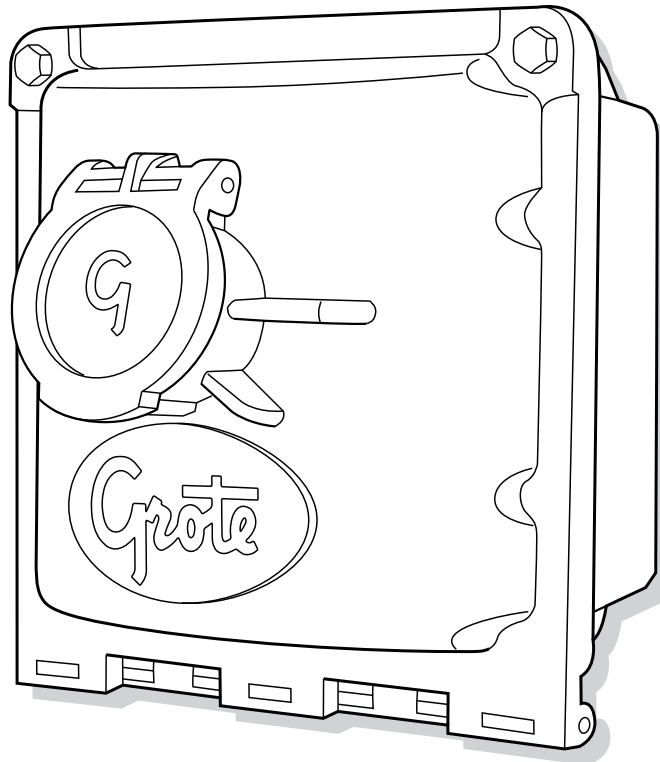


# GROTE GUARDIAN<sup>®</sup>

## ULTRA NOSE BOX INSTALLATION



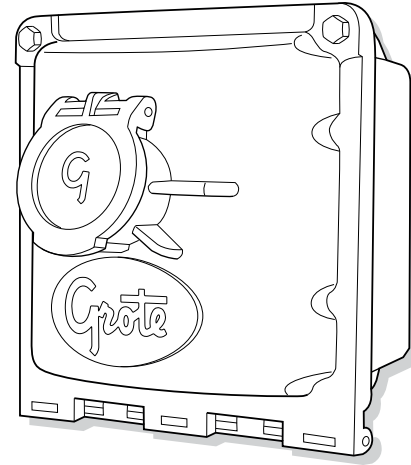
**Grote**<sup>®</sup>

Grote Industries, LLC. • 2600 Lanier Drive, Madison, IN 47250  
Tel: 812.265.8410 Fax: 812-265-8874  
Website: Grote.com

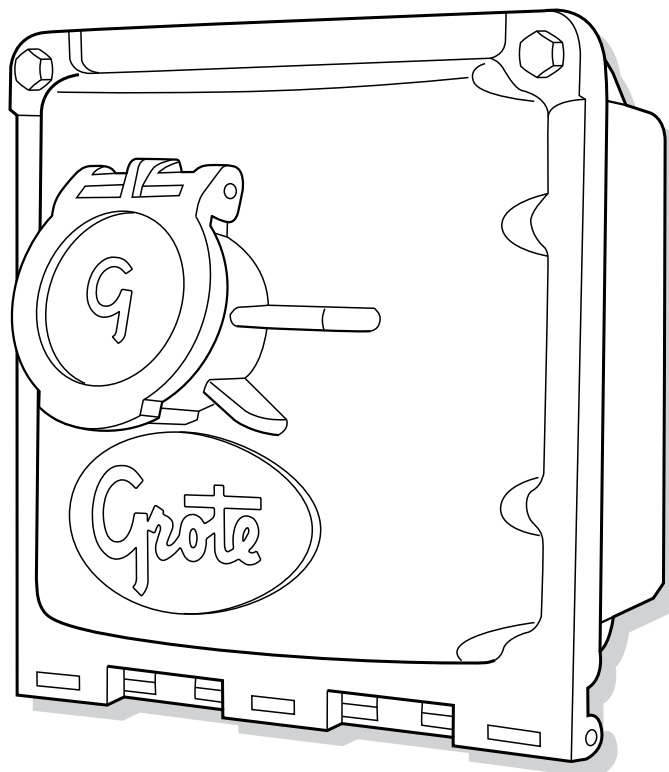
REV. 1-30-22

The **Grote Guardian** provides fleet operators with real-time status of their trailer lighting system for both LED and incandescent lamps, wirelessly monitoring and providing you with real-time alerts, notifications and reports for better fleet control. The results? The ideal combination of increased safety and uptime with decreased maintenance and CSA costs.

Installing the **Grote Ultra Nose Box** will allow your trailer to communicate with the Grote Guardian.



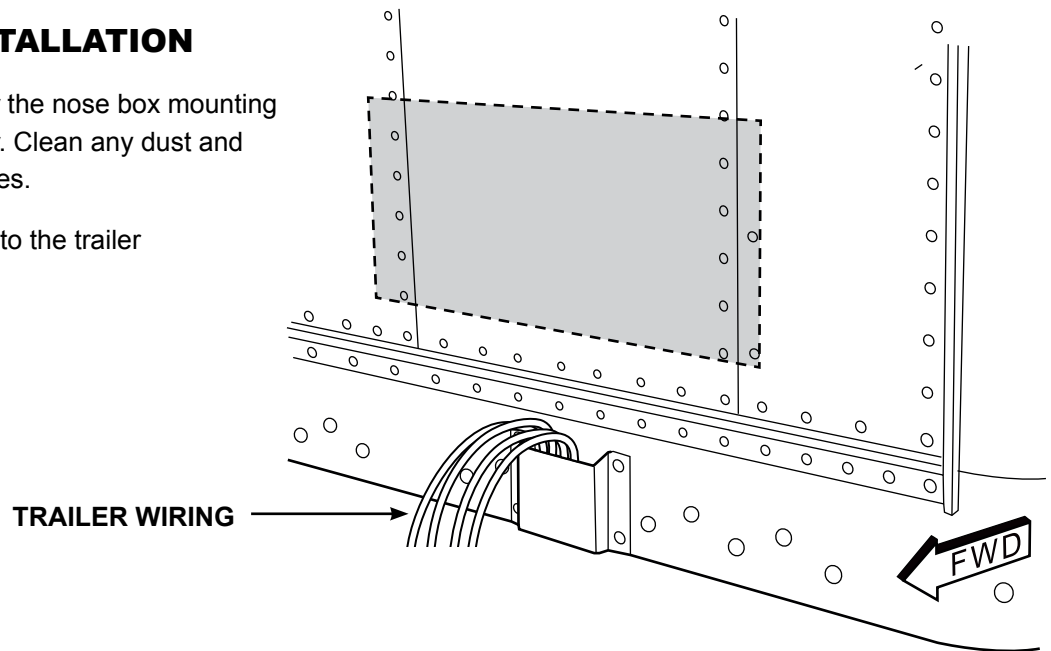
**NOTE:** If you are replacing an existing nose box, skip to step 4 of the instructions.



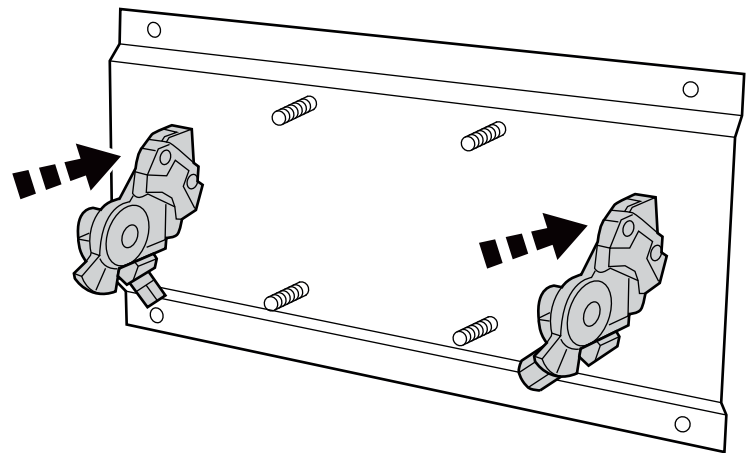
## ULTRA NOSE BOX INSTALLATION

- 1) Determine the best location for the nose box mounting plate on the front of your trailer. Clean any dust and grime from all mounting surfaces.

NOTE: Be sure you have access to the trailer wiring bundle.

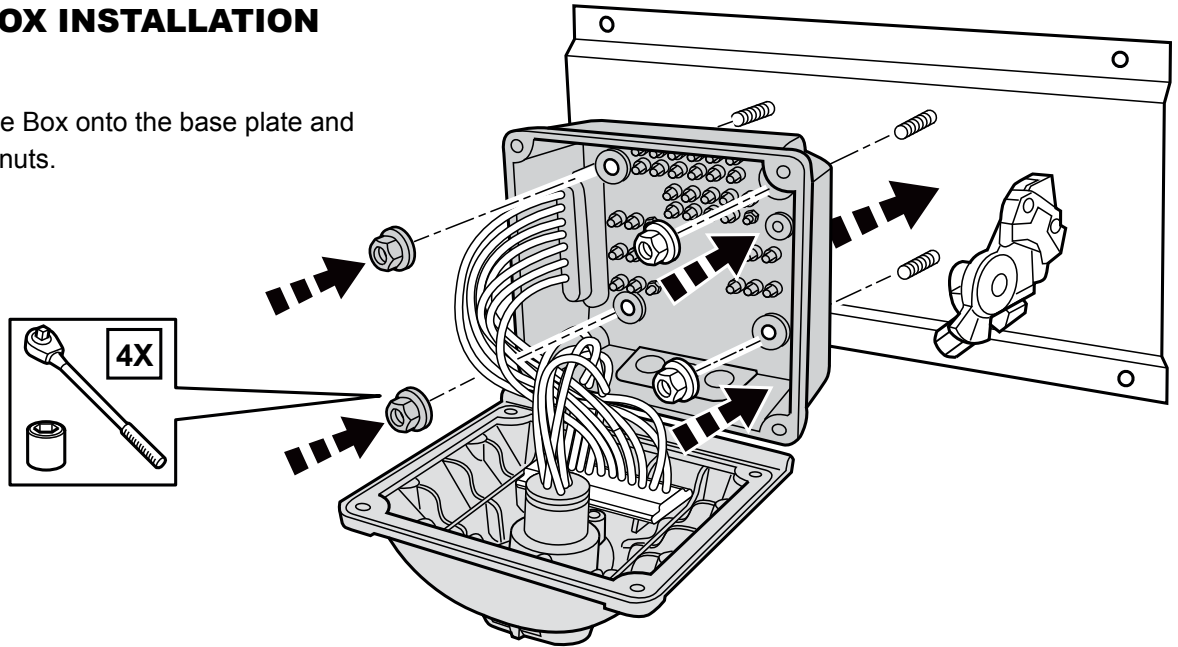


- 2) Mounting plate for nose box and gladhands with gladhands shown before Nose Box installation.

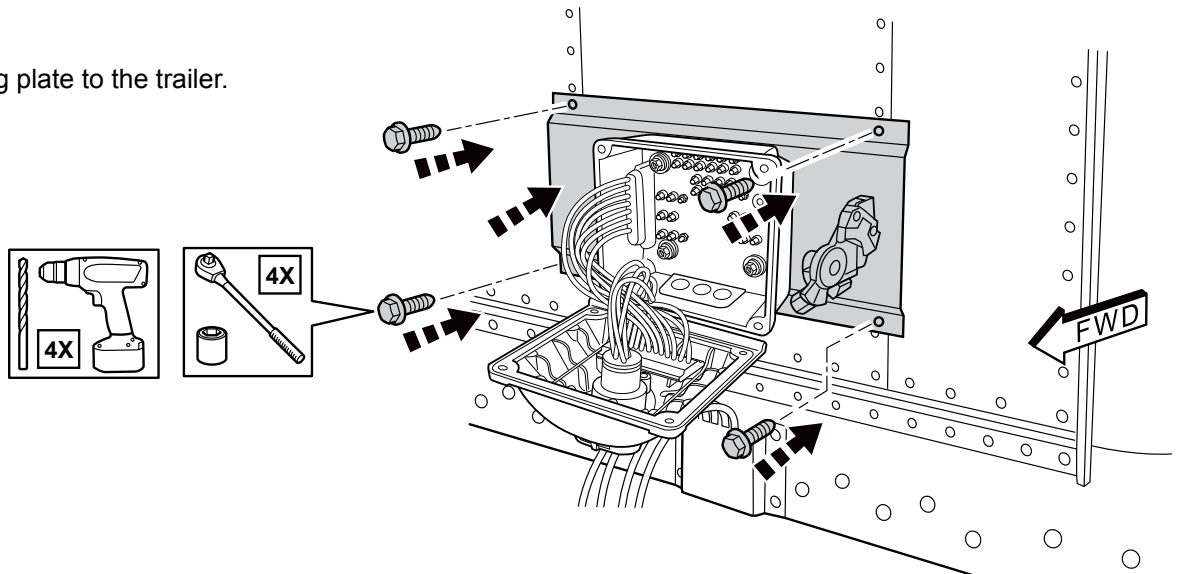


## ULTRA NOSE BOX INSTALLATION (cont'd)

- 3) Mount the Ultra Nose Box onto the base plate and secure with four (4) nuts.

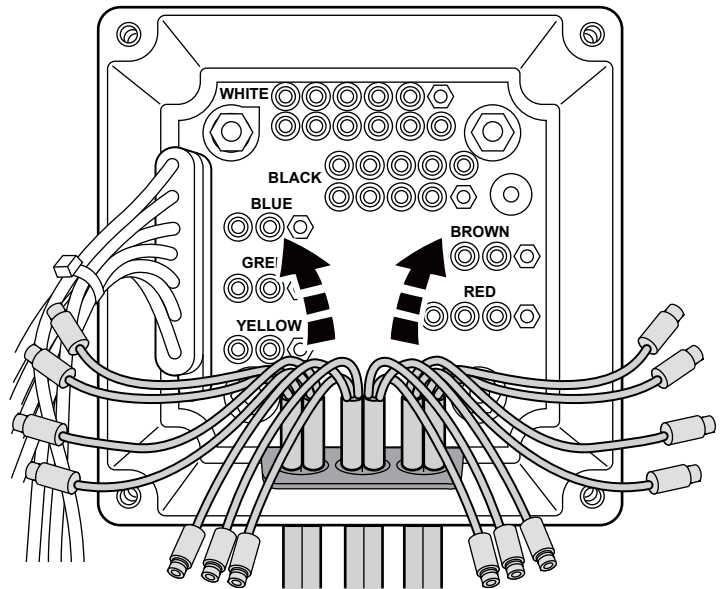


- 4) Secure the mounting plate to the trailer.



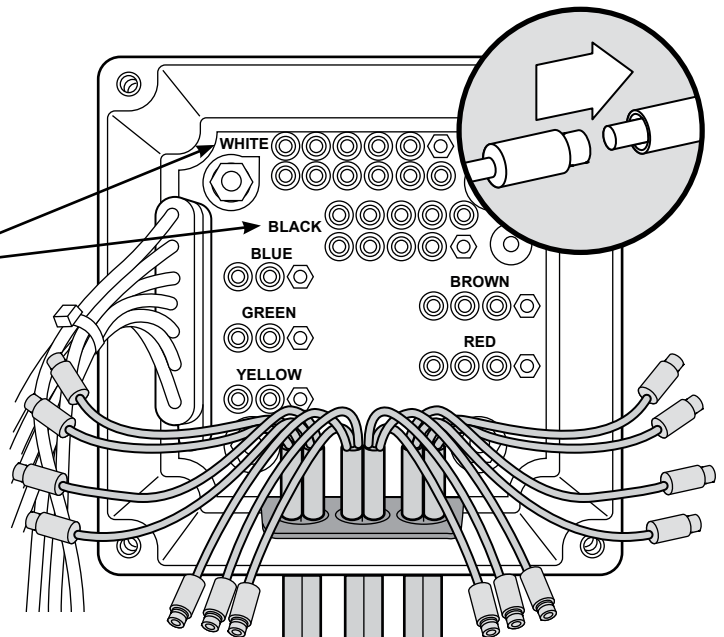
## ULTRA NOSE BOX INSTALLATION (cont'd)

- 5) Route the trailer wiring up into the nose box through the rubber grommet at the bottom.



- 6) Make wire connections as needed according to the color codes indicated inside the nose box.

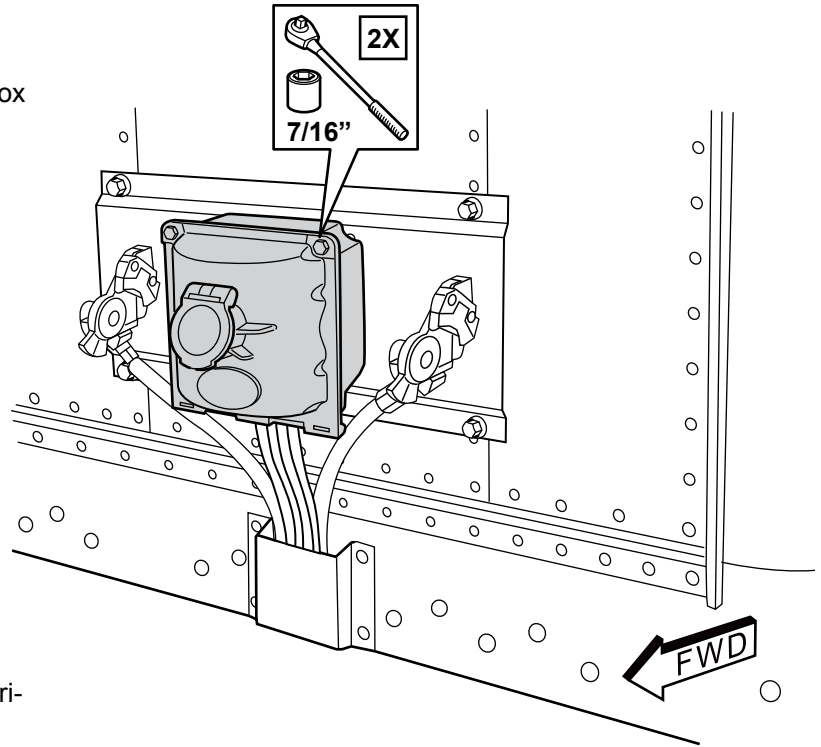
**COLOR CODES**



## ULTRA NOSE BOX INSTALLATION (cont'd)

7) Check all wiring and connections. Close the nose box cover and secure with two (2) top bolts provided.

**EXAMPLE OF  
COMPLETED  
INSTALLATION**



8) Power cycle the Guardian Nose Box Device and verify the system is broadcasting properly.



Grote Industries, LLC. • 2600 Lanier Drive, Madison, IN 47250  
Tel: 812.265.8410 Fax: 812-265-8874  
Website: Grote.com