

Oval Hi Count® LED 56-Diode Stop/Tail/Turn Lamp

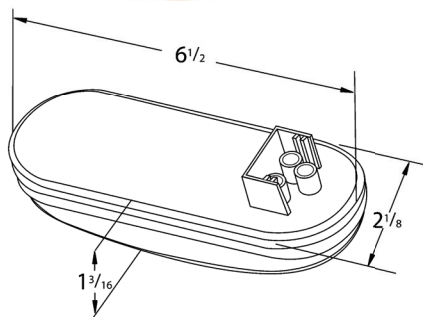
Product Data Sheet

February 2008



Product Features and Benefits:

- Female pin termination accepts all popular PL3 plug-in connectors
- Fits same connections as female incandescent lamps
- Lower amp draw of LEDs allows for use of more lamps without draining vehicle power
- LEDs provide greater visibility for increased stopping distance to trailing vehicles
- Hermetic clear lens-to-housing deal for ultimate durability



Product Specs:

G6012 56 Red LED Lamp

G6013 56 Yellow LED Lamp

Material: Polycarbonate/Acrylic

Finish: Clear/White

FMVSS: Red - I, P2, S, T - Yellow - I

Part Number	Market	Light Source	Operating Voltage/Amperage	Interchange
G6012	Truck and Trailer	56 Red LEDs	Red - 12V - .48A (I,S)/.04A (P2,T)	NA
G6013	Truck and Trailer	56 Yellow LEDs	Yellow - 12V - .71A (I)	NA



The first name in
vehicle safety systems®

2600 Lanier Drive Madison, Indiana U.S.A 47250-0550

U.S. 800.628.0809 Canada 800.268.5612

www.grote.com