

Hi Count[®] Rectangular S/T/T Lamp

Product Data Sheet

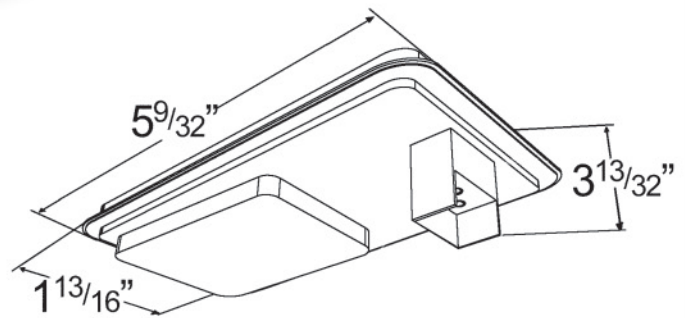
December 2006



- 15 Diodes
- Polycarbonate Lens and housing
- Female pin termination
- Hermetically sealed housing/lens

Product Features and Benefits:

- Female pin termination allows for quick plug-n-go retro fit to existing lighting.
- Potted circuit board to prevent corrosion.
- Vertical or Horizontal mounting options for multiple uses.
- Compatible with existing grommets, brackets and pigtails
- Polycarbonate lens and body



46740 Product Specs

Material: Polycarbonate
 Finish: Base- White
 Lens- Red/Amber
 FMVSS Code: I, P2, S, T
 Voltage/AMP: 12V - .50(I,S)/.07(P2,T)
 12V - .52(I,S)/.09(P2,T)

Part Number	Catalog Pg #	Market	Light Source	Operating Voltage	Current Draw	Interchange
G4502	N/A	Body Builders	LED	12V	.50/.07 Amp	TL 45258R
G4503	N/A	Knapheide Bodies	LED	12V	.52/.09 Amp	TL 45258Y



The first name in vehicle safety systems[®]

2600 Lanier Drive Madison, Indiana U.S.A 47250-0550
 U.S. 800.457.9540 Canada 800.268.5612

www.grote.com

GLB-2006-31