

LED Fairing Light

Data Sheet

TASK LIGHTING



PRODUCT SPECIFICATIONS

MATERIAL

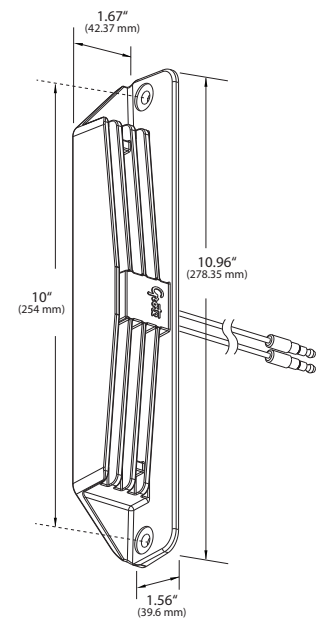
Aluminum Housing, Gray Powder Coat
Polycarbonate Lens

ELECTRICAL CHARACTERISTICS

Operating Voltage: 9V-32V
Total Current Draw:
1.35 Amps @ 13.8V
0.86 Amps @28V

RATINGS AND COMPLIANCES

Vibration: MIL-STD 202G
Moisture: IP 67 and IP 69K
Corrosion: SAE J2139-4.4
Humidity/Temperature: SAE J2139
Chemical: J575-4.14



LED Fairing Light. Improves dusk and nighttime visibility during back-up or pre-trip inspection with enhanced trailer perimeter lighting.

- Fairing Light is durable with cast aluminum housing & polycarbonate lens, yet lightweight (16oz.).
- Low, contoured design minimizes chance of external impact damage.
- High light output with low power draw (1.5a @12v and 0.75a @24v).
- Proprietary TIR (Total Internal Reflecion) lens provides optimal light pattern when mounted vertically.
- Robustly built and sealed, passes MIL-STD, SAE, and IP certifications for Vibration, Humidity, Moisture, Temperature, Chemical Resistance, and Ingress Protection.
- Built-in overvoltage protection prevents voltage spike damage.
- Can be used with both 12v & 24v systems.

PART NUMBER	DESCRIPTION	CASE QUANTITY
64M21-5	LED Fairing Light, Retail Pack	4
64M21-3	LED Fairing Light, Bulk Pack	12

2600 Lanier Drive, Madison, Indiana U.S.A. 47250-0550

U.S. **800.628.0809** Canada **800.268.5612**

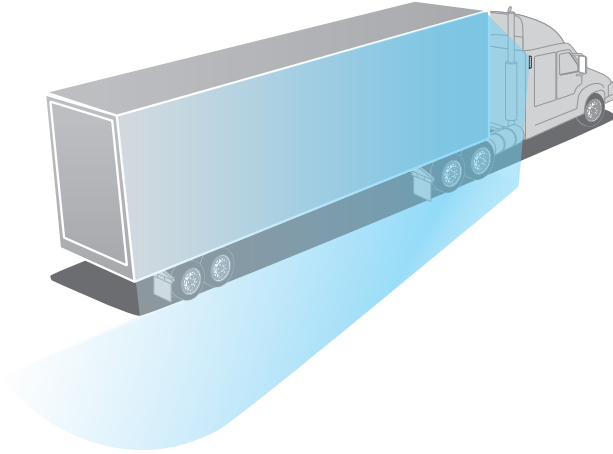
Europe **+49 9422 40331-0** Mexico **+(52) 818262 4412** China **+86.21.5774.9633**

grote.com

LED Fairing Light

Data Sheet

TASK LIGHTING



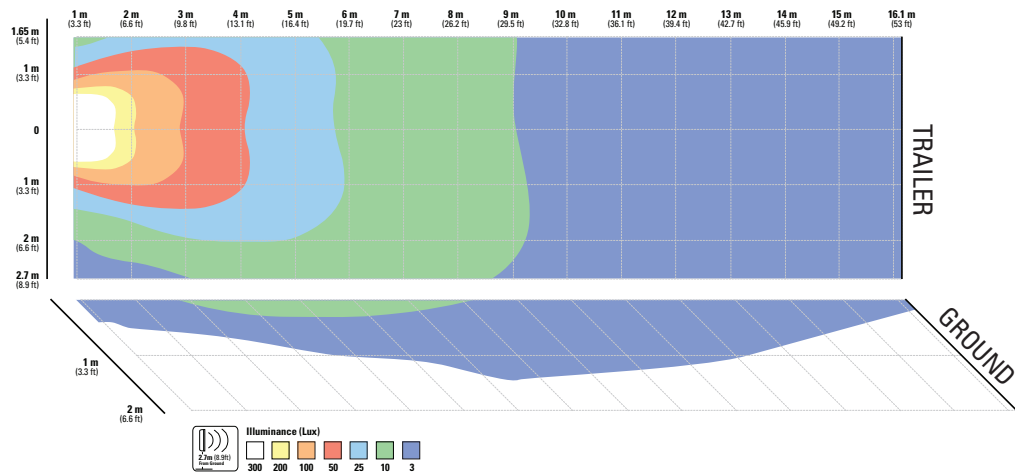
Included:



Spacer/Wire Guide



Gasket



Without LED Fairing Light



With LED Fairing Light



2600 Lanier Drive, Madison, Indiana U.S.A. 47250-0550

U.S. 800.628.0809 Canada 800.268.5612

Europe +49 9422 40331-0 Mexico +(52) 818262 4412 China +86.21.5774.9633

grote.com

