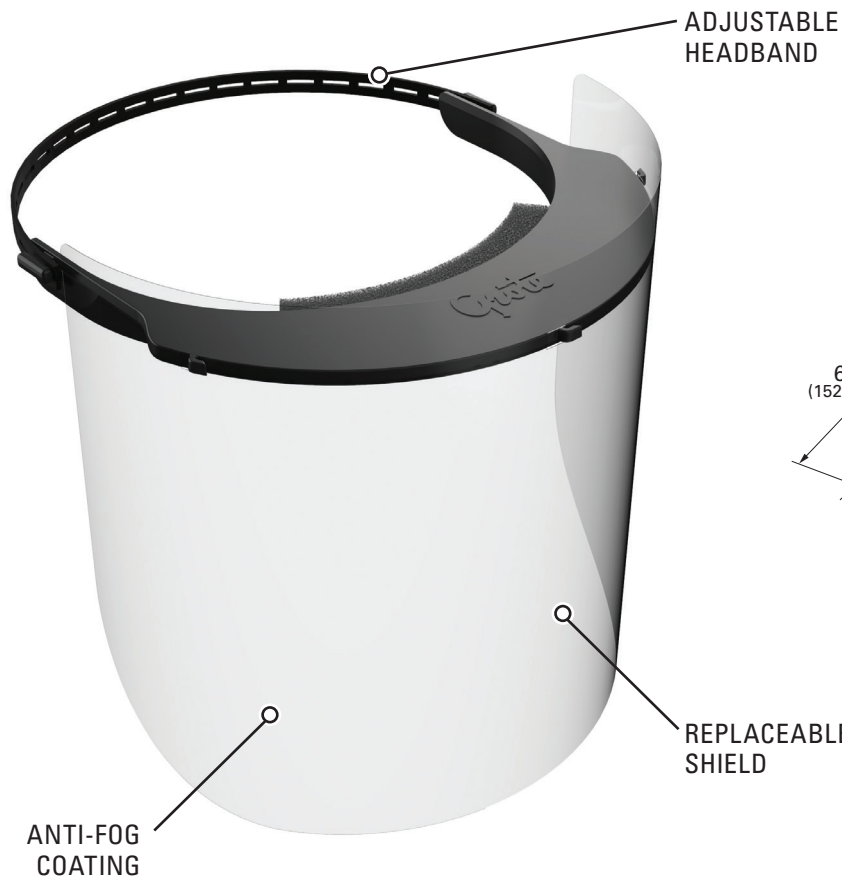


Grote Protective Face Shield

Data Sheet

PROTECTIVE GEAR



PRODUCT SPECIFICATIONS

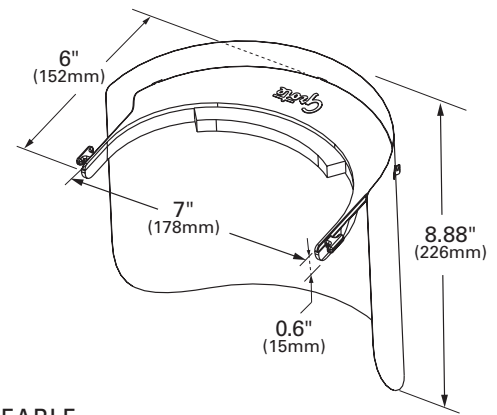
MATERIALS

SHIELD
PET WITH ANTI-FOG COATING

FOAM
CROSSLINKED POLYETHYLENE

VISOR
POLYPROPYLENE

ADJUSTABLE HEADBAND
KNITTED ELASTIC



Grote's Face Shields will help keep you safe on the job site or at the supermarket.

- Lightweight, reusable headband and replaceable shields
- Provides protection from spills, spray, and flying debris
- Features an anti-fog coating
- Extra space between the forehead and shield for greater comfort and security

Part Number	Description
98900	FACE SHIELD MASK ASSEMBLY
98901	REPLACEMENT FACE SHIELD

2600 Lanier Drive, Madison, Indiana U.S.A. 47250-0550

U.S. **800.628.0809** Canada **800.268.5612**

Europe **+49 9422 40331-0** Mexico **+(52) 818262 4412** China **+86.21.5774.9633**

grote.com