

e90 | 1000 lm

Data sheet

WORK LIGHTING



NEAR FLOOD

FAR FLOOD

e90 Work Lights: Affordable LED-Technology

- Compact housing with a reduced depth of only 3.5cm/1.38"
- Robust materials enhance endurance in tough environmental conditions
- Water- and dust-proof in accordance with IP69K
- 20 times longer life expectancy than standard halogen bulbs
- Premium level EMC requirements (CISPR 25 class 5) - won't interfere with radio signals

PRODUCT SPECIFICATIONS

OPTICAL CHARACTERISTICS

Illuminance	Calculated:	1560 lm
	Instant-On (t _g):	1270 lm
	Continuous (t ₃₀):	1010 lm
Color temperature (CCT)	5700 K	
Color rendering index (CRI)	70	
Efficacy	60 lm/W	

ELECTRICAL CHARACTERISTICS

Operating voltage range	9-16 V, 18-32 V
Input current	1.4 A (14V) and 0.7 A (28V)
Inrush current	Nominal input current is not exceeded
Power consumption	17 W
Input connector	Cable
Operating temperature range	-40° C to +50° C
Reverse polarity protection	✓
Overheat protection	✓
ESD and transient protection	✓

MECHANICAL CHARACTERISTICS

Dimensions	92x92x32 mm (HxWxD)
Weight incl. bracket	300 g
Materials	Lens: UV resistant polycarbonate Housing: Aluminium powder-coated
Color	Black
IP Code	IP69K
Mounting	Pendant and pedestal
Maximum storage temperature	-55° C to +110° C
Vibration resistance	5G (5-500Hz)

APPROVALS AND CERTIFICATES

ECE	R10, R23
CE	✓
ISO 7637-2 / ISO 16750-2	Without testpuls 5 (load dump)
ISO 10605	✓
ISO 11452	Section 2 and 4
CISPR 25	Class 5
ISO 20653	✓
Warranty	1 year

12 V Voltage		
Part #	Light distribution	Connector
64U21-3	FAR FLOOD	HARDWIRED
64U41-3	NEAR FLOOD	HARDWIRED
64V21-3	FAR FLOOD	INTEGRATED DEUTSCH®
64V41-3	NEAR FLOOD	INTEGRATED DEUTSCH®

24 V Voltage		
Part #	Light distribution	Connector
64U31-3	FAR FLOOD	HARDWIRED
64U51-3	NEAR FLOOD	HARDWIRED
64V31-3	FAR FLOOD	INTEGRATED DEUTSCH®
64V51-3	NEAR FLOOD	INTEGRATED DEUTSCH®

LUMENS		
1560 r	1270 i	1010 e
Raw	Instant-On	Effective

2600 Lanier Drive, Madison, Indiana U.S.A. 47250-0550

U.S. 800.628.0809 Canada 800.268.5612

Europe +49 9422 40331-0 Mexico +(52) 818262 4412 China +86.21.5774.9633

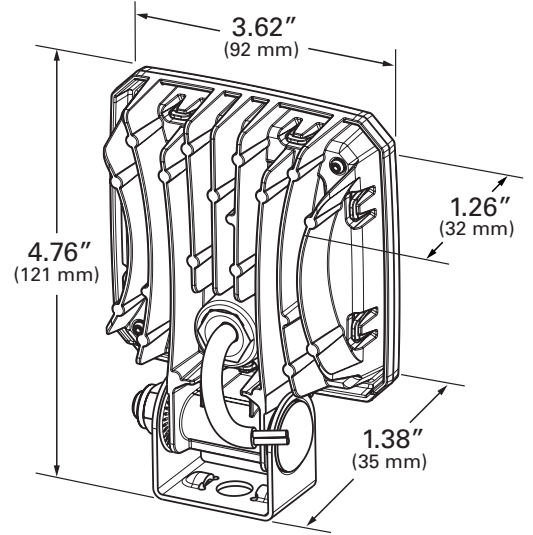
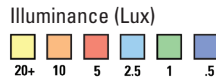
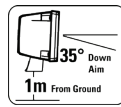
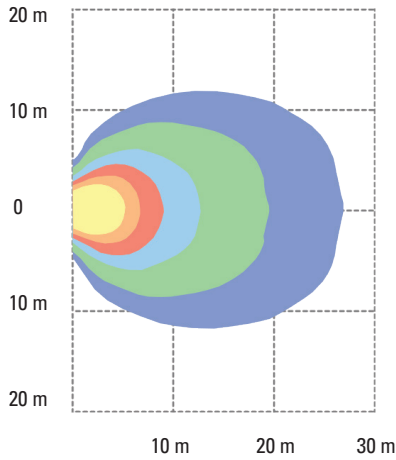
grote.com

e90 | 1000 lm

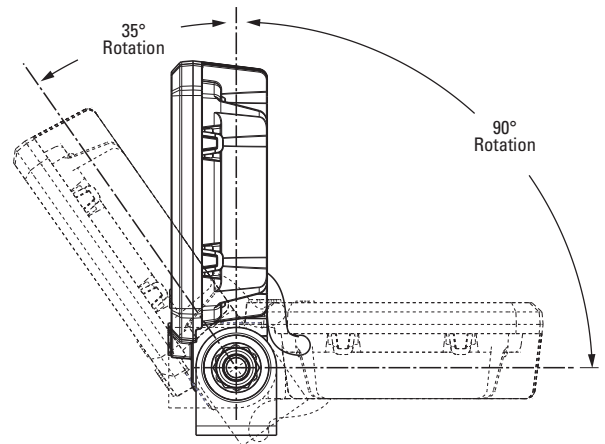
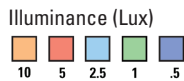
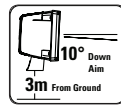
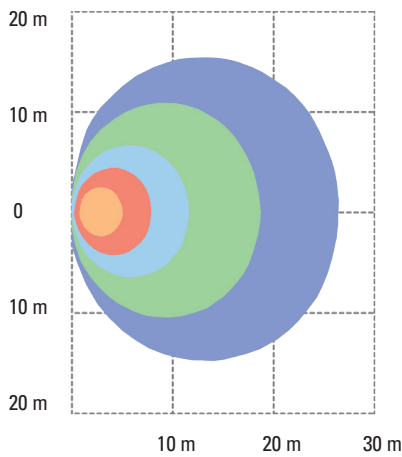
Data sheet

WORK LIGHTING

Far Flood (R23) - IsoLux (64U21, 64U31, 64V21, 64V31)



Near Flood - IsoLux (64U41, 64U51, 64V41, 64V51)



2600 Lanier Drive, Madison, Indiana U.S.A. 47250-0550

U.S. 800.628.0809 Canada 800.268.5612

Europe +49 9422 40331-0 Mexico +(52) 818262 4412 China +86.21.5774.9633

grote.com

